

Excellent Integrated System Limited

Stocking Distributor

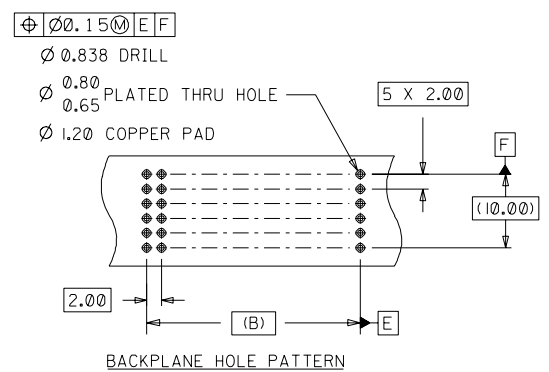
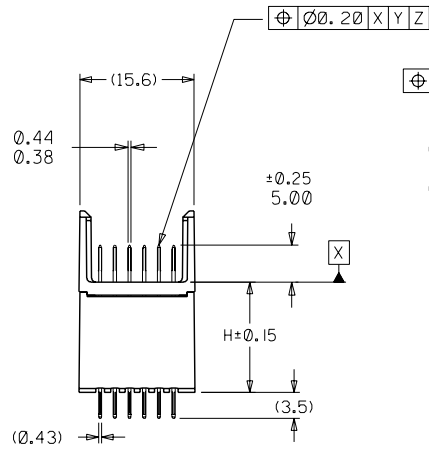
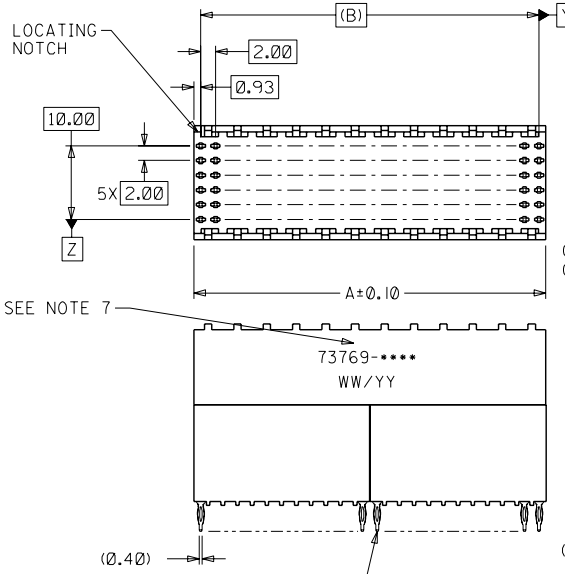
Click to view price, real time Inventory, Delivery & Lifecycle Information:

[Molex Connector Corporation](#)
[0737691200](#)

For any questions, you can email us directly:
sales@integrated-circuit.com

- NOTES:
1. MATERIALS: HOUSING-LIQUID CRYSTAL POLYMER (LCP), GLASS-FILLED, UL94V-0, COLOR: BLACK. TERMINAL-PHOSPHOR BRONZE
 2. FINISH: SELECTIVE GOLD (Au) IN CONTACT AREA, 0.00076mm MINIMUM THICKNESS; SELECTIVE TIN/LEAD (Sn/Pb) ON TAILS, NICKEL (Ni) OVERALL.
 3. THIS PART CONFORMS TO MOLEX PRODUCT SPECIFICATION PS-73780-999.
 4. DIMENSIONS ARE IN MILLIMETERS.
 5. RECOMMENDED PCB THICKNESS: 2.50 MINIMUM.
 6. PACKAGE PER PK-70873-0870, PK-70873-0871, OR PK-70873-0875.
 7. PARTS MARKED WITH PART NUMBER AND DATE CODE APPROXIMATELY WHERE SHOWN.

ASSEMBLY P/N	TOTAL NUMBER OF SIGNAL CONTACTS	DIM "A"	DIM "B"	DIM "H"
73769-0100	72	23.84	22.00	15.05
73769-0200	72	23.84	22.00	6.05
73769-0300	72	23.84	22.00	10.05
73769-1100	144	47.84	46.00	15.05
73769-1200	144	47.84	46.00	6.05
73769-1300	144	47.84	46.00	10.05



SEE NOTE 7

REVISED EC NO. UDT2000-1073 DRW: JBINGHAM 000508 CHK: REED 000508 APPR: BIXLER 000508 REV DESCRIPTION	QUALITY SYMBOLS	GENERAL TOLERANCES: (UNLESS SPECIFIED)	SCALE 2:1	DESIGN UNITS <input checked="" type="checkbox"/> mm <input type="checkbox"/> INCH	THIRD ANGLE PROJECTION	DIMENSIONS: <input type="checkbox"/> INCH <input type="checkbox"/> mm <input checked="" type="checkbox"/> mm ONLY	SHT	REV
	MAJOR = 0 CRITICAL = 0 V = 0	4 PLACES ±0.1 ±. 3 PLACES ±0.1 ±. 2 PLACES ±0.05 ±. 1 PLACE ±0.10 ±.	ANGULAR: ± 1/2° DRAFT WHERE APPLICABLE MUST REMAIN WITHIN DIMENSIONS	DRAWN BY & DATE JBINGHAM 97/03/07 CHECKED BY & DATE SREED 97/03/07 APPROVED BY & DATE CBIXLER 97/03/07	TITLE: SALES ASSEMBLY HDM BACKPLANE STACKING MODULE OPEN END OPTION PRESSFIT	MOLEX INCORPORATED	MATERIAL NO. SEE CHART	DRAWING NO. SD-73769-001