

Excellent Integrated System Limited

Stocking Distributor

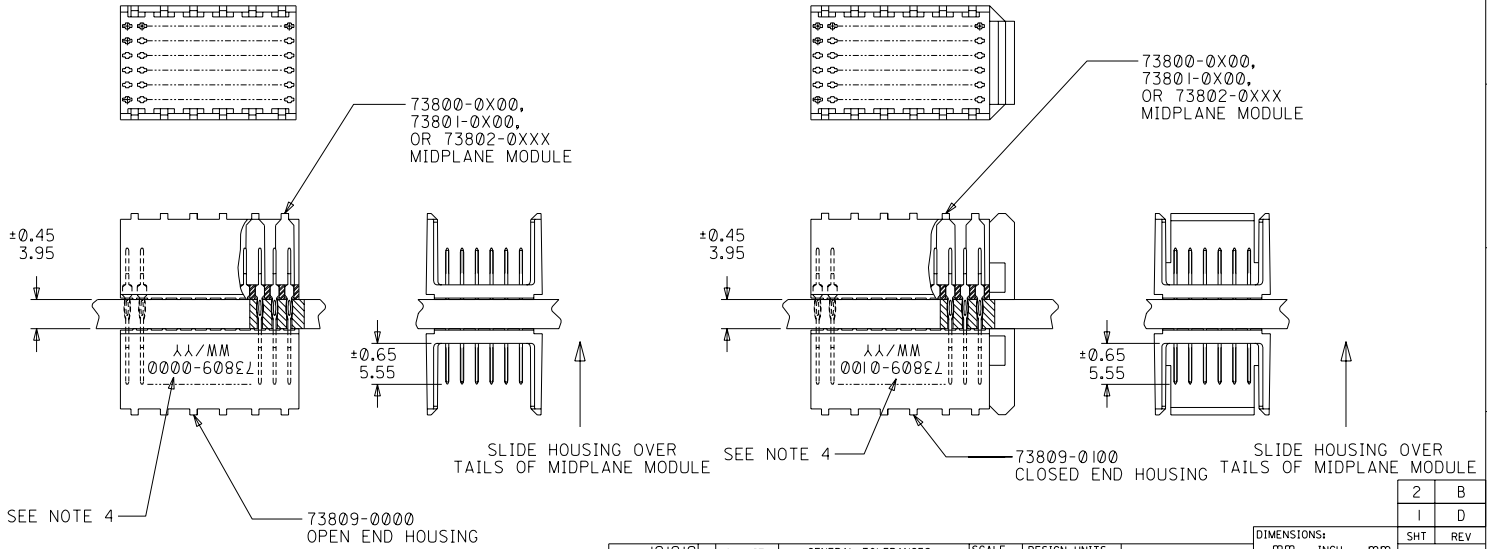
Click to view price, real time Inventory, Delivery & Lifecycle Information:

[Molex Connector Corporation](#)
[0738090205](#)

For any questions, you can email us directly:
sales@integrated-circuit.com

NOTES:

- HOUSING MATERIALS: LIQUID CRYSTAL POLYMER (LCP), GLASS-FILLED, UL94V-0, COLOR: BLACK.
- THIS PART CONFORMS TO MOLEX PRODUCT SPECIFICATION PS-73670-9999.
- SEE DRAWINGS SD-73800-001, SD-73801-001, AND SD-73802-001 FOR DIMENSIONAL INFORMATION.
- PARTS MARKED WITH PART NUMBER AND DATE CODE, ON EITHER SIDE, APPROXIMATELY WHERE SHOWN.
- PARTS PACKAGED PER PK-70873-0818.



REVISED EC NO: LUCP2003-2260 DPNW: THOMAS 03/04/25 CHK: BINGHAM 03/04/25 APPR: SREED 03/04/25 D REV	QUALITY SYMBOLS MAJOR ∇ = 0 CRITICAL ∇ / C = 0	GENERAL TOLERANCES: (UNLESS SPECIFIED) mm INCH 4 PLACES ± 0.1 \pm 3 PLACES ± 0.15 \pm 2 PLACES ± 0.25 \pm 1 PLACE ± 0.4 \pm ANGULAR: $\pm 1/2^\circ$	SCALE 2 : 1 DESIGN UNITS <input checked="" type="checkbox"/> mm <input type="checkbox"/> INCH DRAWN BY & DATE JBINGHAM 97/06/19 CHECKED BY & DATE SREED 97/06/19 APPROVED BY & DATE CBIXLER 97/06/19 CAD FILENAME S73809X1.DGN	THIRD ANGLE PROJECTION DIMENSIONS: <input type="checkbox"/> mm <input type="checkbox"/> INCH <input type="checkbox"/> mm ONLY <input checked="" type="checkbox"/> mm ONLY TITLE: SALES ASSEMBLY, HDM DOUBLE-END MIDPLANE, 72 POS. SLIDE-ON HOUSING MOLEX INCORPORATED MATERIAL NO. SEE CHART DRAWING NO. SD-73809-001 SHEET NO. 1 OF 2 SIZE B
	DRAFT WHERE APPLICABLE MUST REMAIN WITHIN DIMENSIONS	THIS DRAWING CONTAINS INFORMATION THAT IS PROPRIETARY TO MOLEX INCORPORATED AND SHOULD NOT BE USED WITHOUT WRITTEN PERMISSION.	DIMENSIONS: <input type="checkbox"/> mm <input type="checkbox"/> INCH <input type="checkbox"/> mm ONLY <input checked="" type="checkbox"/> mm ONLY	TITLE: SALES ASSEMBLY, HDM DOUBLE-END MIDPLANE, 72 POS. SLIDE-ON HOUSING
	MAJOR ∇ = 0 CRITICAL ∇ / C = 0	SCALE 2 : 1 DESIGN UNITS <input checked="" type="checkbox"/> mm <input type="checkbox"/> INCH	THIRD ANGLE PROJECTION DIMENSIONS: <input type="checkbox"/> mm <input type="checkbox"/> INCH <input type="checkbox"/> mm ONLY <input checked="" type="checkbox"/> mm ONLY	TITLE: SALES ASSEMBLY, HDM DOUBLE-END MIDPLANE, 72 POS. SLIDE-ON HOUSING
	DRAFT WHERE APPLICABLE MUST REMAIN WITHIN DIMENSIONS	THIS DRAWING CONTAINS INFORMATION THAT IS PROPRIETARY TO MOLEX INCORPORATED AND SHOULD NOT BE USED WITHOUT WRITTEN PERMISSION.	DIMENSIONS: <input type="checkbox"/> mm <input type="checkbox"/> INCH <input type="checkbox"/> mm ONLY <input checked="" type="checkbox"/> mm ONLY	TITLE: SALES ASSEMBLY, HDM DOUBLE-END MIDPLANE, 72 POS. SLIDE-ON HOUSING

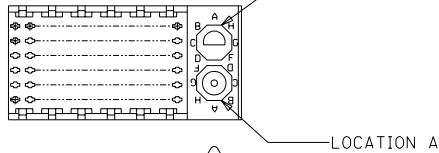
MATERIAL NUMBER ASSIGNMENT

73809- * * * *

0 = 72-CIRCUIT

0 = OPEN END VERSION
1 = CLOSED END VERSION
2 = POLAR/GUIDE VERSION

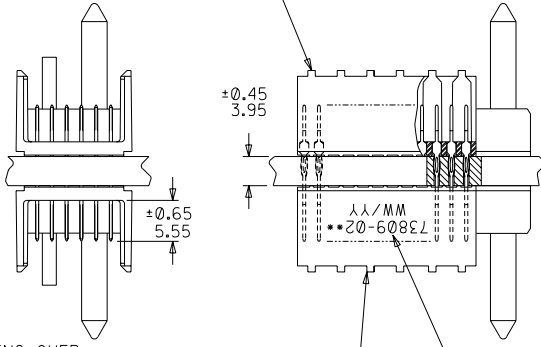
73800-0X00,
73801-0X00,
OR 73802-0XXX
MIDPLANE MODULE



LOCATION B

LOCATION A

NUMBER	GUIDE POST LOCATION	POLAR KEY POSITION
00	N/A	N/A
01	B	A
02	A	A
03	B	B
04	A	B
05	B	C
06	A	C
07	B	D
08	A	D
09	B	E
10	A	E
11	B	F
12	A	F
13	B	G
14	A	G
15	B	H
16	A	H
17	B	N/A
18	A	N/A



±0.45

3.95

±0.65

5.55

SLIDE HOUSING OVER TAILS OF MIDPLANE MODULE

73809-02XX POLAR/GUIDE HOUSING

SEE NOTE 5

SEE SHEET 1 EC NO. UDT2000-0443 DRW: JBINGHAM 99/11/04 CHK: SREED 99/11/04 APPR: CBIXLER 99/11/04	QUALITY SYMBOLS MAJOR = 0 CRITICAL = 0 C = 0	GENERAL TOLERANCES: (UNLESS SPECIFIED) mm INCH 4 PLACES ±0. ±. 3 PLACES ±0. ±. 2 PLACES ±0.05 ±. 1 PLACE ±0.10 ±. ANGULAR: ± 1/2°	SCALE 2 : 1 DESIGN UNITS <input checked="" type="checkbox"/> mm <input type="checkbox"/> INCH DRAWN BY & DATE JBINGHAM 97/06/19 CHECKED BY & DATE SREED 97/06/19 APPROVED BY & DATE CBIXLER 97/06/19	DIMENSIONS: <input type="checkbox"/> mm <input type="checkbox"/> INCH <input checked="" type="checkbox"/> mm ONLY <input type="checkbox"/> mm <input type="checkbox"/> mm <input checked="" type="checkbox"/> mm ONLY	SHT 2 REV 1	TITLE: SALES ASSEMBLY, HDM DOUBLE-END MIDPLANE, 72 POS. SLIDE-ON HOUSING MOLEX INCORPORATED