



**Distributor of Molex Connector Corporation: Excellent Integrated System Limited**

Datasheet of 0743232012 - Connector Plug DVI-A 17 Position Through Hole, Vertical

Contact us: [sales@integrated-circuit.com](mailto:sales@integrated-circuit.com) Website: [www.integrated-circuit.com](http://www.integrated-circuit.com)

---

## **Excellent Integrated System Limited**

Stocking Distributor

Click to view price, real time Inventory, Delivery & Lifecycle Information:

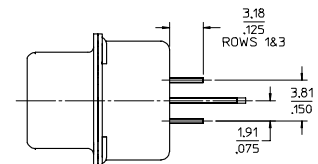
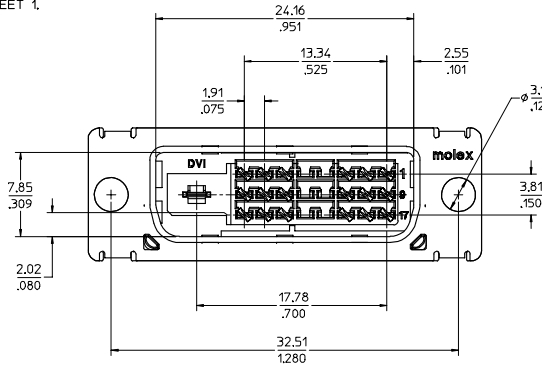
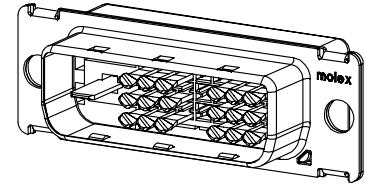
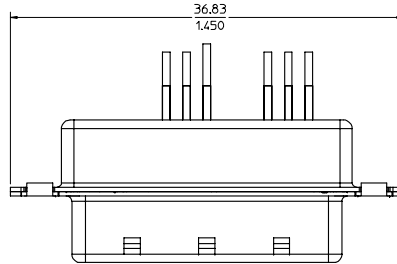
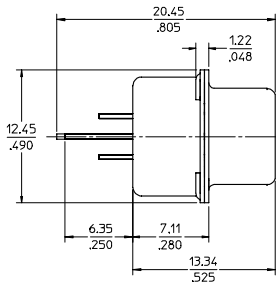
[Molex Connector Corporation](#)  
[0743232012](#)

For any questions, you can email us directly:

[sales@integrated-circuit.com](mailto:sales@integrated-circuit.com)

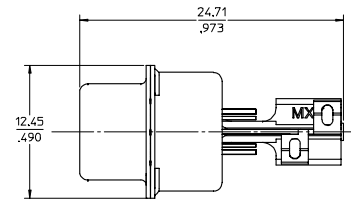
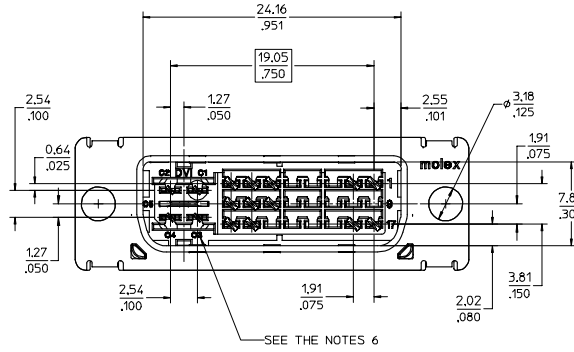
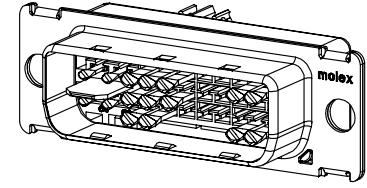
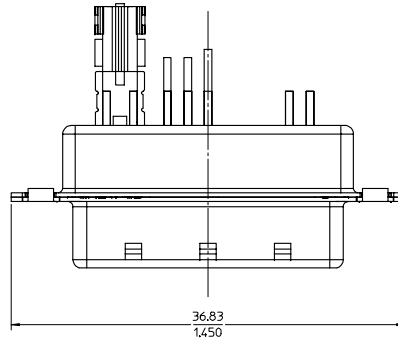
NOTES:

1. MATERIALS: HOUSING: HIGH TEMPERATURE PLASTIC  
UL 94V-0, COLOR: BLACK  
TERMINAL: COPPER ALLOY  
SHIELD: STEEL ALLOY
2. FINISH: TERMINAL: SEE THE CHART FOR GOLD PLATING OVER 1.27 MICROMETER (50  $\mu$ ) NICKEL IN CONTACT AREA AND 3.81 MICROMETER (150  $\mu$ ) PURE TIN OVER 1.27 MICROMETER (50  $\mu$ ) NICKEL AT SOLDERING AREA.  
SHIELD: 3.81 MICROMETER (150  $\mu$ ) BRIGHT TIN OVER 1.27 MICROMETER (50  $\mu$ ) NICKEL OVERALL.
3. PRODUCT SPECIFICATION: PS-74320-001.
4. PACKAGING: PARTS ARE TO BE PACKAGED 40 PCS PER TRAY.
5. THE LOADED CIRCUITS SEE THE CHART.
6. THE TEXTS ARE SHOWN FOR REFERENCE ONLY.
7. THE DIMENSION SHOWN ON SHEET 1 REFLECT THE DVI-D SINGLE AND DUAL CHANNEL SUB-ASSEMBLY.  
THE DIMENSION SHOWN ON SHEET 2 REFLECT THE DVI-A AND DVI-I SUB-ASSEMBLY, FOR ALL OTHER DIMENSIONS REFER TO SHEET 1.



LEAD-FREE	EC NO: SH2005-0067 DRWN: dxie 2004/09/25 CHK: YTYA0004/09/03 APPR: JZHOU	QUALITY SYMBOLS ▽-0 ▽-0	GENERAL TOLERANCES (UNLESS SPECIFIED) mm INCH 4 PLACES ± --- ± --- 3 PLACES ± --- ± .010 2 PLACES ± 0.25 ± --- 1 PLACE ± --- ± --- ANGULAR ± 1 °	SCALE	DESIGN UNITS	THIRD ANGLE PROJECTION	REVISE ON CAD ONLY
				4:1	INCH		
				DIMENSION STYLE			
				IN/MM			
DRAWN BY DATE		DRAWN BY DATE		MOLEX INCORPORATED		DVI HIGH VOLUME PLUG CONNECTOR SUB-ASSEMBLY	
CHECKED BY DATE		CHECKED BY DATE		APPROVED BY DATE		MATERIAL NO. DOCUMENT NO. SHEET NO.	
RAFF 99/09/22		RAFF 99/09/22		MEGA 99/09/22		SEE CHART SD-74323-003 1 OF 2	
DRAFT WHERE APPLICABLE MUST REMAIN WITHIN DIMENSIONS							
THIS DRAWING CONTAINS INFORMATION THAT IS PROPRIETARY TO MOLEX INCORPORATED AND SHOULD NOT BE USED WITHOUT WRITTEN PERMISSION							

PART NUMBER	DESCRIPTION	LOADED CIRCUITS REF.
74323-2001	DVI-D Au FLASH SINGLE LINK	1-3,6-8,9-11,14-16,17-19,22-24, WITH KEY
74323-2002	DVI-D 30 u' Au SINGLE LINK	
74323-2003	DVI-D Au FLASH DUAL LINK	1-24, WITH KEY
74323-2004	DVI-D 30 u' Au DUAL LINK	
74323-2011	DVI-A Au FLASH	1-2,6-8,14-16,17-18,23-24, C1,C2,C3,C4,C5
74323-2012	DVI-A 30 u' Au	
74323-2031	DVI-I Au FLASH SINGLE LINK	1-3,6-8,9-11,14-16,17-19,22-24, C1,C2,C3,C4,C5
74323-2032	DVI-I 30 u' Au SINGLE LINK	
74323-2033	DVI-I Au FLASH DUAL LINK	1-24, C1,C2,C3,C4,C5
74323-2034	DVI-I 30 u' Au DUAL LINK	



LEAD-FREE	EC NO: DRWN: DXUE 2004/6/25 CHK: YTYA004/09/03 APPR: JZHOU	QUALITY SYMBOLS ▽-0 ▽-0	GENERAL TOLERANCES (UNLESS SPECIFIED) mm INCH 4 PLACES ± --- ± --- 3 PLACES ± --- ± .010 2 PLACES ± 0.25 ± --- 1 PLACE ± --- ± --- ANGULAR ± 1 °	SCALE 4:1	DESIGN UNITS INCH	THIRD ANGLE PROJECTION	REVISE ON CAD ONLY
				DIMENSION STYLE IN/MM	DRAWN BY DATE JASON 99/09/12	CHECKED BY DATE RAFF 99/09/22	APPROVED BY DATE MEGA 99/09/22
DRAFT WHERE APPLICABLE MUST REMAIN WITHIN DIMENSIONS			THIS DRAWING CONTAINS INFORMATION THAT IS PROPRIETARY TO MOLEX INCORPORATED AND SHOULD NOT BE USED WITHOUT WRITTEN PERMISSION				