



Distributor of Molex Connector Corporation: Excellent Integrated System Limited
Datasheet of 0743232103 - Connector Plug DVI-D, Dual Link 24 Position Through Hole,
Vertical

Contact us: sales@integrated-circuit.com Website: www.integrated-circuit.com

Excellent Integrated System Limited

Stocking Distributor

Click to view price, real time Inventory, Delivery & Lifecycle Information:

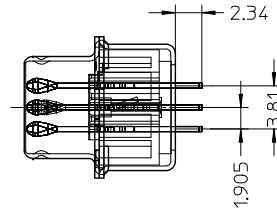
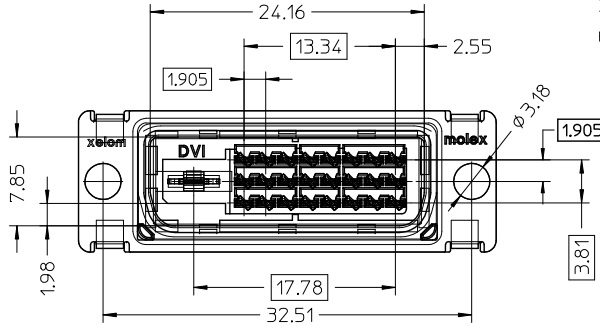
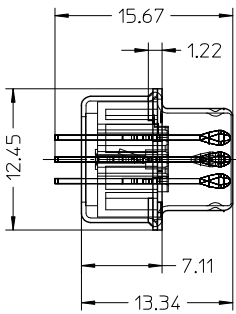
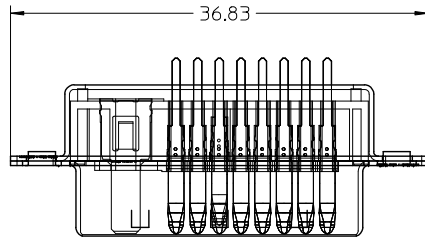
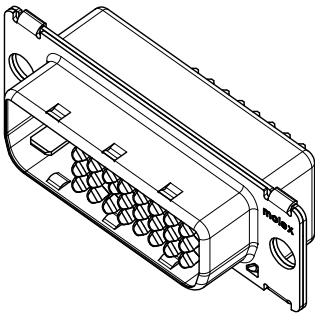
[Molex Connector Corporation](#)
[0743232103](#)

For any questions, you can email us directly:
sales@integrated-circuit.com

Contact us: sales@integrated-circuit.com Website: www.integrated-circuit.com

NOTES:

1. MATERIALS:
HOUSING: HIGH TEMPERATURE PLASTIC, UL 94V-0, COLOR: BLACK
TERMINAL: COPPER ALLOY
SHIELD: STEEL ALLOY
2. FINISH:
TERMINAL: GOLD PLATING OVER 1.27 MICROMETER(50u') NICKEL IN CONTACT AREA,
3.81 MICROMETER (150u') PURE TIN OVER 1.27 MICROMETER (50u') NICKEL AT SOLDERING AREA.
BACK SHIELD: 3.81 MICROMETER (150u') BRIGHT TIN OVER 1.27 MICROMETER (50u') NICKEL OVER COPPER FLASH OVERALL.
FRONT SHIELD: 1.27 MICROMETER (50u') SOLDERING NICKEL OVER COPPER FLASH OVERALL.
3. PRODUCT SPECIFICATION: PS-74320-001.
4. PACKAGING: PARTS ARE TO BE PACKAGED 40 PCS PER TRAY.
5. THE LOADED CIRCUITS SEE THE CHART.
6. THE DIMENSION SHOWN ON SHEET 1 REFLECT THE DVI-D SINGLE AND DUAL CHANNEL ASSEMBLY.
THE DIMENSION SHOWN ON SHEET 2 REFLECT THE DVI-I ASSEMBLY.
FOR ALL OTHER DIMENSION REFER TO SHEET 1.



CHANGE FRONT SHELL FINISH

REV	DESCRIPTION
C	CHANGE FRONT SHELL FINISH
	EC NO: SH2016-0197
	DRWN:XOZHANG 2015/12/07
	CHKD:XOZHANG 2015/12/07
	APPR:ATIN 2016/01/18

QUALITY SYMBOLS	DESCRIPTION
$\nabla=0$	4 PLACES
$\nabla=0$	3 PLACES
$\nabla=0$	2 PLACES
$\nabla=0$	1 PLACE
$\nabla=0$	0 PLACE

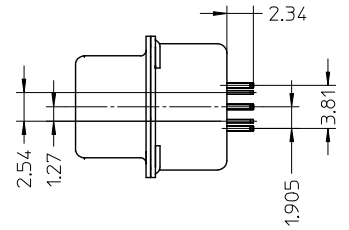
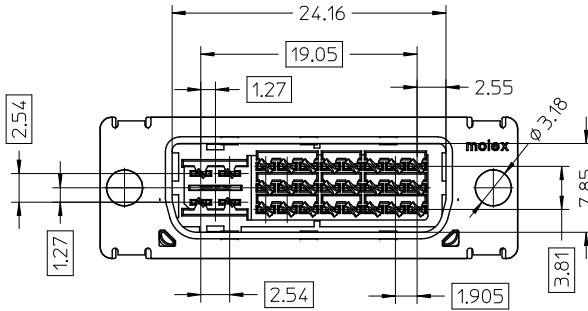
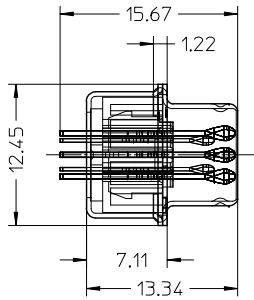
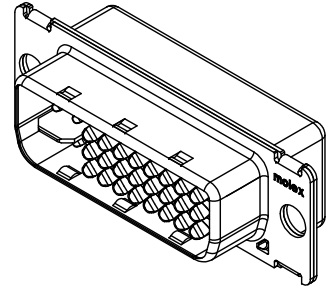
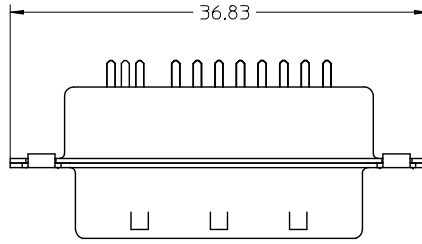
GENERAL TOLERANCES (UNLESS SPECIFIED)	
mm	INCH
4 PLACES ±---	±---
3 PLACES ±---	±---
2 PLACES ±0.25	±---
1 PLACE ±0.25	±---
0 PLACE ±	±
ANGULAR ±.5°	
DRAFT WHERE APPLICABLE MUST REMAIN WITHIN DIMENSIONS	

DIMENSION STYLE	
MM ONLY	
DRAWN BY	DATE
JCHIANG	00/05/12
CHECKED BY	DATE
MLIN	00/05/12
APPROVED BY	DATE
MLIN	00/05/12
MATERIAL NO.	DOCUMENT NO.
SEE SHEET 2	SD-74323-005
SIZE	
A3	

SCALE	DESIGN UNITS	THIRD ANGLE PROJECTION
1:1	INCH	
HIGH VOLUME DVI PLUG CONNECTOR FOR PCB MOUNT		
molex		
DOCUMENT NO. SD-74323-005		SHEET NO. 1 OF 3
THIS DRAWING CONTAINS INFORMATION THAT IS PROPRIETARY TO MOLEX INCORPORATED AND SHOULD NOT BE USED WITHOUT WRITTEN PERMISSION		

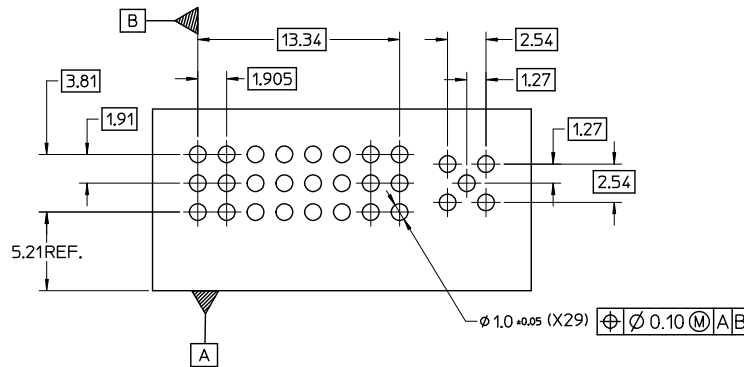
Contact us: sales@integrated-circuit.com Website: www.integrated-circuit.com

PART NO.	DESCRIPTION	LOAD CIRCUIT REF
74323-2101	DVI-D Au FLASH SINGLE CHANNEL	1-3.6-8.9-11.14-16.17-19.22-24 WITH KEY
74323-2103	DVI-D Au FLASH DUAL CHANNEL	1-24, WITH KEY
74323-2131	DVI-I Au FLASH SINGLE CHANNEL	1-3.6-8.9-11.14-16.17-19.22-24 C1-C5
74323-2133	DVI-I Au FLASH DUAL CHANNEL	1-24,C1-C5



SEE SHEET 1 EC NO: SH2016-0197 DRAWN: XZFHANG 2015/12/07 CHECKED: XZFHANG 2015/12/07 APPR: AYIN 2016/01/18	QUALITY SYMBOLS √=0 √=0 √=0	GENERAL TOLERANCES (UNLESS SPECIFIED)		DIMENSION STYLE MM ONLY		SCALE 1:1	DESIGN UNITS INCH	THIRD ANGLE PROJECTION
		4 PLACES ± --- ± --- 3 PLACES ± --- ± --- 2 PLACES ± 0.25 ± --- 1 PLACE ± 0.25 ± --- 0 PLACE ± ±	mm INCH ± --- ± --- ± 0.25 ± --- ± 0.25 ± --- ± ±	DRAWN BY JCH IANG DATE 00/05/12	CHECKED BY ML IN DATE 00/05/12	TITLE HIGH VOLUME DVI PLUG CONNECTOR FOR PCB MOUNT		
DRAFT WHERE APPLICABLE MUST REMAIN WITHIN DIMENSIONS	ANGULAR ± 5 °	MATERIAL NO. SEE TABLE	APPROVED BY ML IN DATE 00/05/12	DOCUMENT NO. SD-74323-005		SHEET NO. 2 OF 3		

Contact us: sales@integrated-circuit.com Website: www.integrated-circuit.com



RECOMMENDED PCB LAYOUT, PCB THICKNESS: 1.60 MM

SEE SHEET 1 EC. NO. SH2016-0197 DRAWN: XZHZHANG 2015/12/07 CHKD: XZHZHANG 2015/12/07 APPR: AYTN 2016/01/18	QUALITY SYMBOLS ▽=0 ▽=0 ▽=0	GENERAL TOLERANCES (UNLESS SPECIFIED)		DIMENSION STYLE MM ONLY		SCALE 4:1	DESIGN UNITS INCH	THIRD ANGLE PROJECTION	
			mm	INCH	DRAWN BY JCH IANG	DATE 00/05/12	TITLE HIGH VOLUME DVI PLUG CONNECTOR FOR PCB MOUNT		
C	DESCRIPTION	4 PLACES	± ---	± ---	CHECKED BY MLIN	DATE 00/05/12			
		3 PLACES	± ---	± ---	APPROVED BY MLIN	DATE 00/05/12			
		2 PLACES	± 0.25	± ---	MATERIAL NO.		DOCUMENT NO.	SHEET NO.	
		1 PLACE	± 0.25	± ---	SEE SHEET 2		SD-74323-005	3 OF 3	
		0 PLACE	±	±	THIS DRAWING CONTAINS INFORMATION THAT IS PROPRIETARY TO MOLEX INCORPORATED AND SHOULD NOT BE USED WITHOUT WRITTEN PERMISSION				
		ANGULAR ± 5 °		DRAFT WHERE APPLICABLE MUST REMAIN WITHIN DIMENSIONS					