

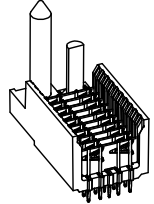
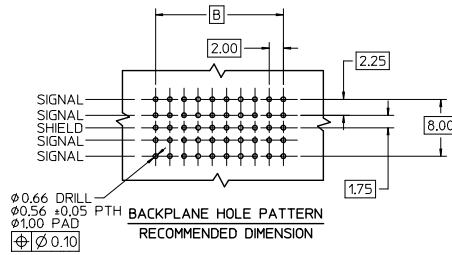
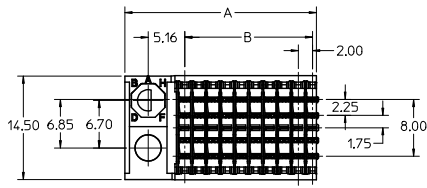
## Excellent Integrated System Limited

Stocking Distributor

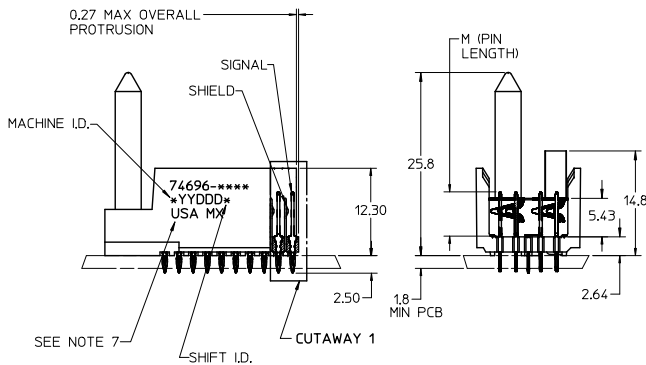
Click to view price, real time Inventory, Delivery & Lifecycle Information:

[Molex Connector Corporation](#)  
[0746961112](#)

For any questions, you can email us directly:  
[sales@integrated-circuit.com](mailto:sales@integrated-circuit.com)



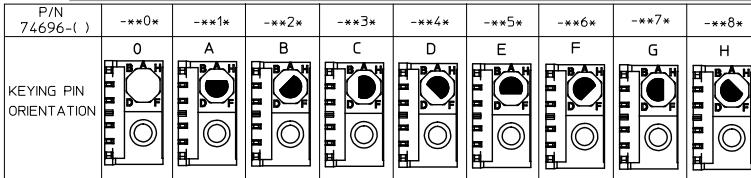
THE PRIMARY CARTON WITH A LABEL STATING "ELV AND RoHS COMPLIANT" IS LEAD FREE. CARTONS WITHOUT THIS LABEL MAY CONTAIN LEAD.



NOTES:

1. MATERIAL: HOUSING -LIQUID CRYSTAL POLYMER (LCP) GLASS-FILLED. UL 94 V-0. COLOR: BLACK. SIGNAL & SHIELD -COPPER ALLOY.
2. FINISHES: SELECTIVE GOLD (Au) ON CONTACT AREA. SELECTIVE MATTE TIN (Sn) ON PCB TAILS. NICKEL (Ni) OVERALL.
3. THIS PART CONFORMS TO MOLEX PRODUCT SPECIFICATION PS-74031-999.
4. FOR MIXED CONTACT MATING LENGTHS CONSULT MOLEX FOR AVAILABILITY.
5. FOR SPECIFIC PART NUMBER AND MATING INFORMATION REFER TO SHEET 2.
6. PACKAGE PER PK-74696-003.
7. EITHER MARK PART NUMBER AND DATE CODE APPROXIMATELY WHERE SHOWN OR PLACE LABEL ON THE TUBE.
8. THIS PART CONFORMS TO CLASS B REQUIREMENTS OF MOLEX COSMETIC SPECIFICATION PS-45499-002.
9. MAPS (MOLEX ADVANCED PLATING SYSTEM).

LEAD FREE CONVERSION EC NO: UCP2015-0687 DRAWN BY: 2012/08/21 CHKD/MO/LE: 2012/11/20 APPR:SM/LLR: 2012/12/14	QUALITY SYMBOLS ▽=0 ▽=0 ▽=0	GENERAL TOLERANCES (UNLESS SPECIFIED)		DIMENSION STYLE MM ONLY		SCALE 2.5:1	DESIGN UNITS METRIC	THIRD ANGLE PROJECTION
				DRAWN BY MOWANG	DATE 2001/07/23	TITLE HSD SALES ASSEMBLY ADVANCED MATE 5 ROW SIGNAL END BACKPLANE		
		4 PLACES ± --- ± ---		CHECKED BY JLAURX	DATE 2001/10/12			
		3 PLACES ± --- ± ---		APPROVED BY CBIXLER	DATE 2001/10/12			
2 PLACES ± --- ± ---		ANGULAR ± 1/2°		MATERIAL NO. SEE SHEET 2	DOCUMENT NO. SD-74696-003	SHEET NO. 1 OF 2		
1 PLACE ± --- ± ---		DRAFT WHERE APPLICABLE MUST REMAIN WITHIN DIMENSIONS		THIS DRAWING CONTAINS INFORMATION THAT IS PROPRIETARY TO MOLEX INCORPORATED AND SHOULD NOT BE USED WITHOUT WRITTEN PERMISSION				
0 PLACE ± --- ± ---								



74696-\*\*\*

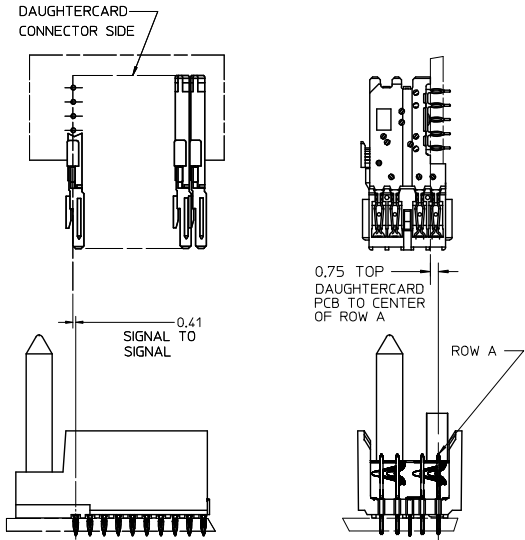
NUMBER OF COLUMNS/PLATING

- 11 = 10 COLUMN MATTE TIN (FORMERLY TIN/LEAD)
- 26 = 25 COLUMN MATTE TIN (FORMERLY TIN/LEAD)
- 61 = 10 COLUMN MATTE TIN (MAPS)
- 76 = 25 COLUMN MATTE TIN (MAPS)
- 91 = 10 COLUMN MATTE TIN
- 86 = 25 COLUMN MATTE TIN

CONTACT LOAD (PIN LENGTH)

- 1 & 6 = 4.75
- 2 & 7 = 6.25
- 3 & 8 = 4.25
- 4 & 9 = 5.15

PART NUMBER	COLUMN	NUMBER OF SIGNAL PIN	NUMBER OF SHIELD	A	B	M	GOLD THICKNESS MICROMETER	TIN THICKNESS MICROMETER
74696-61*1	10	40	10	27.00	18.00	4.75	0.25 MAPS	0.76-1.52
74696-41*1							0.76	
74696-11*6							1.27	
74696-76*1	25	100	25	57.00	48.00	6.25	0.25 MAPS	
74696-46*1							0.76	
74696-16*6							1.27	
74696-61*2	10	40	10	27.00	18.00	4.25	0.25 MAPS	
74696-41*2							0.76	
74696-11*7							1.27	
74696-76*2	25	100	25	57.00	48.00	6.25	0.25 MAPS	
74696-46*2							0.76	
74696-16*7							1.27	
74696-61*3	10	40	10	27.00	18.00	4.25	0.25 MAPS	
74696-41*3							0.76	
74696-11*8							1.27	
74696-76*3	25	100	25	57.00	48.00	6.25	0.25 MAPS	
74696-46*3							0.76	
74696-16*8							1.27	
74696-61*4	10	40	10	27.00	18.00	5.15	0.25 MAPS	
74696-41*4							0.76	
74696-11*9							1.27	
74696-76*4	25	100	25	57.00	48.00	6.25	0.25 MAPS	
74696-46*4							0.76	
74696-16*9							1.27	



SEE SHEET 1 EC NO: UCP2015-0687 2012/08/24 CHK: KIMOLFE 2012/11/20 APPR: SMILLER 2012/12/14	QUALITY SYMBOLS □=0 □=0 □=0	GENERAL TOLERANCES (UNLESS SPECIFIED) mm INCH 4 PLACES ± --- ± --- 3 PLACES ± --- ± --- 2 PLACES ± --- ± --- 1 PLACE ± --- ± --- 0 PLACE ± --- ± ---	DIMENSION STYLE MM ONLY DRAWN BY DATE MOWANG 2001/07/23 CHECKED BY DATE JLAURX 2001/10/12 APPROVED BY DATE CBIXLER 2001/10/12	SCALE 2.5:1 DESIGN UNITS METRIC THIRD ANGLE PROJECTION	TITLE HSD SALES ASSEMBLY ADVANCED MATE 5 ROW SIGNAL END BACKPLANE <b>molex</b>	MATERIAL NO. SEE TABLE DOCUMENT NO. SD-74696-003	SHEET NO. 2 OF 2
		ANGULAR ±1/2° DRAFT WHERE APPLICABLE MUST REMAIN WITHIN DIMENSIONS	THIS DRAWING CONTAINS INFORMATION THAT IS PROPRIETARY TO MOLEX INCORPORATED AND SHOULD NOT BE USED WITHOUT WRITTEN PERMISSION				