

Excellent Integrated System Limited

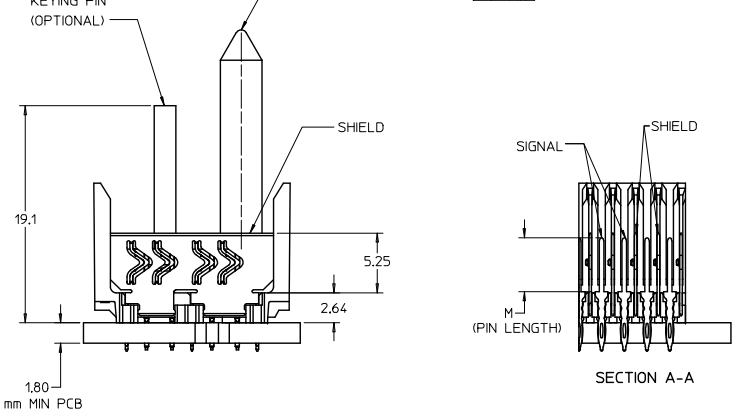
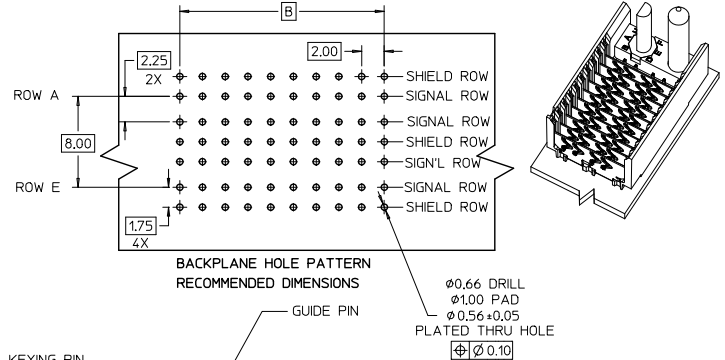
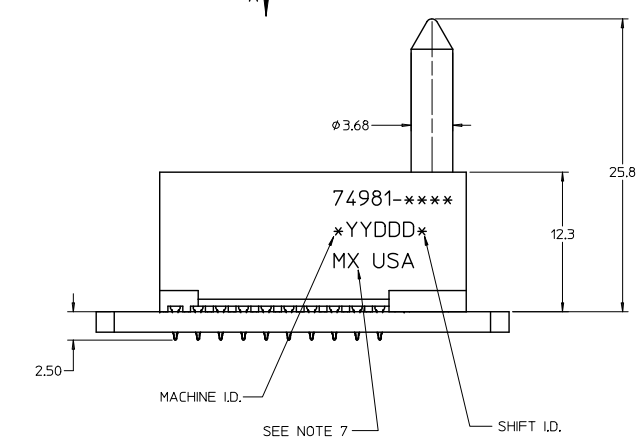
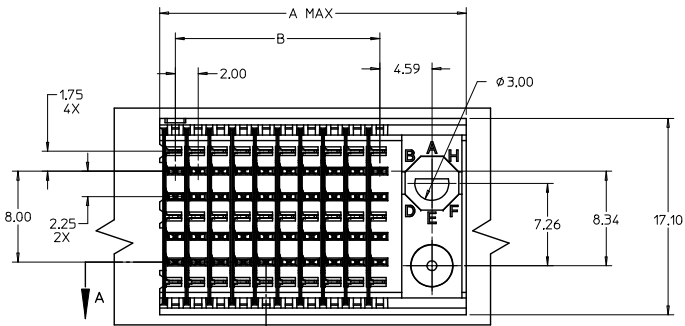
Stocking Distributor

Click to view price, real time Inventory, Delivery & Lifecycle Information:

[Molex Connector Corporation](#)
[0749811011](#)

For any questions, you can email us directly:

sales@integrated-circuit.com



- NOTES:
- MATERIAL: HOUSING-LIQUID CRYSTAL POLYMER (LCP) GLASS-FILLED. UL 94V-0. COLOR-BLACK. SIGNAL AND SHIELD - HIGH PERFORMANCE COPPER ALLOY.
 - FINISHES:
CONTACT AREA: SELECTIVE GOLD (Au)
PCB TAILS: SELECTIVE MATTE TIN (Sn)
NICKEL (Ni) OVERALL.
 - THIS PART CONFORMS TO MOLEX PRODUCT SPECIFICATION PS-74031-999.
 - FOR MIXED CONTACT LENGTHS - CONSULT MOLEX FOR AVAILABILITY.
 - FOR SPECIFIC PART NUMBER AND MATING INFORMATION REFER TO SHEET 2.
 - PACKAGE PER PK-74058-003.
 - MARK PART NUMBER AND DATE CODE APPROXIMATELY WHERE SHOWN
 - MAPS (MOLEX ADVANCED PLATING SYSTEM).

THE PRIMARY CARTON WITH A LABEL STATING "ELV AND ROHS COMPLAINT" IS LEAD FREE. CARTONS WITHOUT THIS LABEL MAY CONTAIN LEAD.

LEAD FREE CONVERSION EC NO: UCP2015-0687 DRAWING NO: 2012/08/27 CHK: DMOLFE APPR: SMILLER 2012/11/17 2012/12/14	QUALITY SYMBOLS ∇=0 ∇=0 ∇=0	GENERAL TOLERANCES (UNLESS SPECIFIED)		DIMENSION STYLE		SCALE	DESIGN UNITS	THIRD ANGLE PROJECTION			
				MM ONLY		4:1	METRIC				
				mm	INCH	DRAWN BY	DATE	TITLE			
				4 PLACES ±	±	NMARTIN	2002/09/06	HSD SALES ASSEMBLY 6 ROW SHIELD END BACKPLANE			
		3 PLACES ±	±	CHECKED BY	DATE	molex SD-74981-010 SHEET NO. 1 OF 2					
		2 PLACES ±	±	SREED	2002/09/06						
		1 PLACE ±	±	APPROVED BY	DATE						
		0 PLACE ±	±	CBIXLER	2002/09/06						
		ANGULAR ± 1°		MATERIAL NO.		DOCUMENT NO.					
		DRAFT WHERE APPLICABLE MUST REMAIN WITHIN DIMENSIONS		SEE SHT.2		SD-74981-010					
		THIS DRAWING CONTAINS INFORMATION THAT IS PROPRIETARY TO MOLEX INCORPORATED AND SHOULD NOT BE USED WITHOUT WRITTEN PERMISSION									

