

Excellent Integrated System Limited

Stocking Distributor

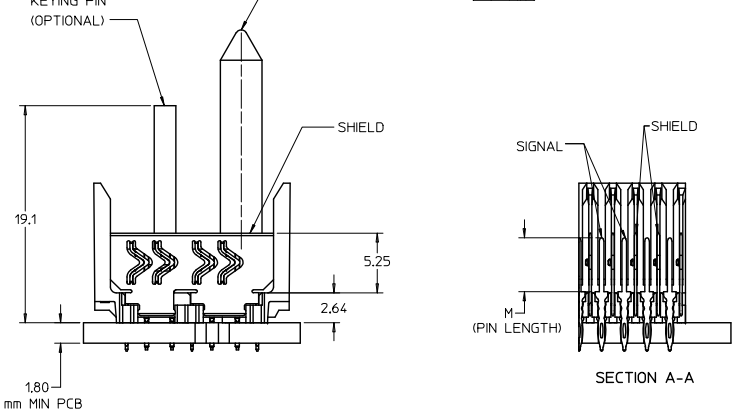
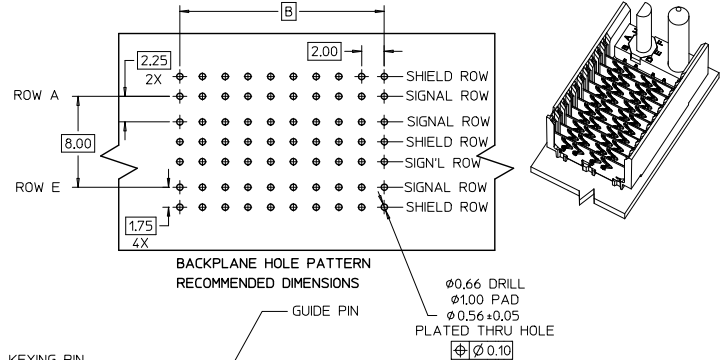
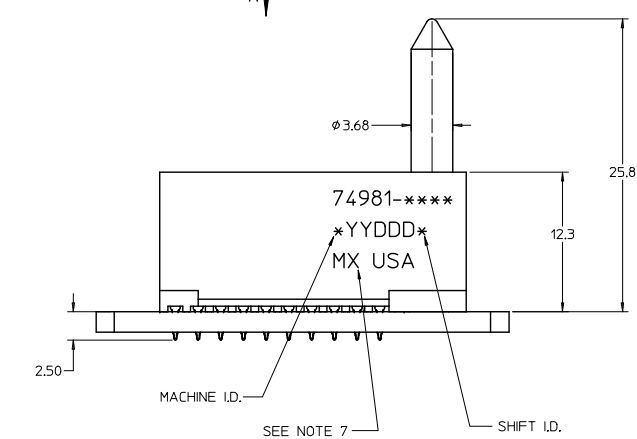
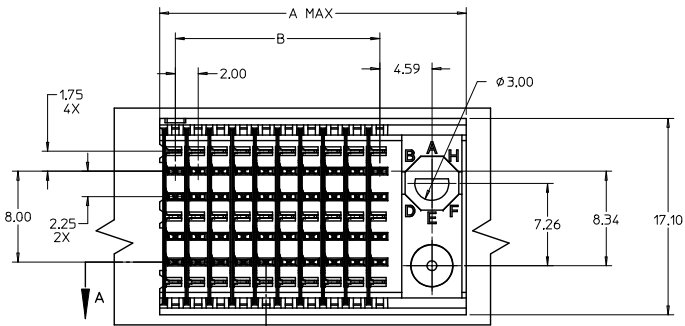
Click to view price, real time Inventory, Delivery & Lifecycle Information:

[Molex Connector Corporation](#)

[0749811013](#)

For any questions, you can email us directly:

sales@integrated-circuit.com

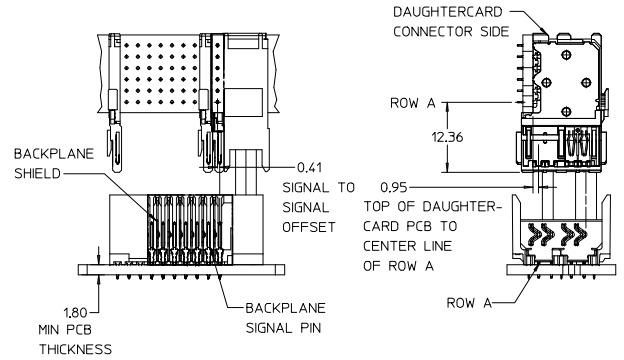


- NOTES:
- MATERIAL: HOUSING-LIQUID CRYSTAL POLYMER (LCP) GLASS-FILLED. UL 94V-0. COLOR-BLACK. SIGNAL AND SHIELD - HIGH PERFORMANCE COPPER ALLOY.
 - FINISHES:
CONTACT AREA: SELECTIVE GOLD (Au)
PCB TAILS: SELECTIVE MATTE TIN (Sn)
NICKEL (Ni) OVERALL.
 - THIS PART CONFORMS TO MOLEX PRODUCT SPECIFICATION PS-74031-999.
 - FOR MIXED CONTACT LENGTHS - CONSULT MOLEX FOR AVAILABILITY.
 - FOR SPECIFIC PART NUMBER AND MATING INFORMATION REFER TO SHEET 2.
 - PACKAGE PER PK-74058-003.
 - MARK PART NUMBER AND DATE CODE APPROXIMATELY WHERE SHOWN
 - MAPS (MOLEX ADVANCED PLATING SYSTEM).

THE PRIMARY CARTON WITH A LABEL STATING "ELV AND ROHS COMPLAINT" IS LEAD FREE. CARTONS WITHOUT THIS LABEL MAY CONTAIN LEAD.

| | | | | | | | | | | | |
|---|--------------------------------------|--|---|-----------------|------------|--|--------------|------------------------|--|--|--|
| LEAD FREE CONVERSION EC NO: UCP2015-0687 DRAWING NO: 2012/08/27 CHK: DMOLFE APPR: SMILLER 2012/11/17 2012/12/14 | QUALITY SYMBOLS ∇=0 ∇=0 ∇=0 | GENERAL TOLERANCES (UNLESS SPECIFIED) | | DIMENSION STYLE | | SCALE | DESIGN UNITS | THIRD ANGLE PROJECTION | | | |
| | | | | MM ONLY | | 4:1 | METRIC | | | | |
| | | | | mm | INCH | DRAWN BY | DATE | TITLE | | | |
| | | | | 4 PLACES ± | ± | NMARTIN | 2002/09/06 | HSD SALES ASSEMBLY | | | |
| | | 3 PLACES ± | ± | CHECKED BY | DATE | 6 ROW SHIELD END | | | | | |
| | | 2 PLACES ± | ± | SREED | 2002/09/06 | BACKPLANE | | | | | |
| | | 1 PLACE ± | ± | APPROVED BY | DATE | molex DOCUMENT NO. SD-74981-010 SHEET NO. 1 OF 2 | | | | | |
| | | 0 PLACE ± | ± | CBIXLER | 2002/09/06 | | | | | | |
| | | ANGULAR ± 1° | | MATERIAL NO. | | DOCUMENT NO. | | SHEET NO. | | | |
| | | DRAFT WHERE APPLICABLE MUST REMAIN WITHIN DIMENSIONS | | SEE SHT.2 | | SD-74981-010 | | 1 OF 2 | | | |
| THIS DRAWING CONTAINS INFORMATION THAT IS PROPRIETARY TO MOLEX INCORPORATED AND SHOULD NOT BE USED WITHOUT WRITTEN PERMISSION | | | | | | | | | | | |

| PART NUMBER | COLUMN | NUMBER OF SIGNAL PIN | NUMBER OF SHIELD | A | B | M | GOLD THICKNESS MICROMETER | TIN THICKNESS MICROMETER |
|-------------|--------|----------------------|------------------|-------|-------|-----------|---------------------------|--------------------------|
| 74981-60*1 | 10 | 40 | 10 | 27.00 | 18.00 | 4.75 | 0.25 MAPS | 0.76-1.52 |
| 74981-x0*1 | | | | | | | 0.76 | |
| 74981-x0*6 | | | | | | | 1.27 | |
| 74981-75*1 | 25 | 100 | 25 | 57.00 | 48.00 | 0.25 MAPS | | |
| 74981-x5*1 | | | | | | 0.76 | | |
| 74981-x5*6 | | | | | | 1.27 | | |
| 74981-60*2 | 10 | 40 | 10 | 27.00 | 18.00 | 0.25 MAPS | | |
| 74981-x0*2 | | | | | | 0.76 | | |
| 74981-x0*7 | | | | | | 1.27 | | |
| 74981-75*2 | 25 | 100 | 25 | 57.00 | 48.00 | 0.25 MAPS | | |
| 74981-x5*2 | | | | | | 0.76 | | |
| 74981-x5*7 | | | | | | 1.27 | | |
| 74981-60*3 | 10 | 40 | 10 | 27.00 | 18.00 | 0.25 MAPS | | |
| 74981-x0*3 | | | | | | 0.76 | | |
| 74981-x0*8 | | | | | | 1.27 | | |
| 74981-75*3 | 25 | 100 | 25 | 57.00 | 48.00 | 0.25 MAPS | | |
| 74981-x5*3 | | | | | | 0.76 | | |
| 74981-x5*8 | | | | | | 1.27 | | |
| 74981-60*4 | 10 | 40 | 10 | 27.00 | 18.00 | 0.25 MAPS | | |
| 74981-x0*4 | | | | | | 0.76 | | |
| 74981-x0*9 | | | | | | 1.27 | | |
| 74981-75*4 | 25 | 100 | 25 | 57.00 | 48.00 | 0.25 MAPS | | |
| 74981-x5*4 | | | | | | 0.76 | | |
| 74981-x5*9 | | | | | | 1.27 | | |



74981 - * * * *

NUMBER OF COLUMNS/PLATING
 10 = 10 COLUMN MATTE TIN (FORMERLY TIN/LEAD)
 25 = 25 COLUMN MATTE TIN (FORMERLY TIN/LEAD)
 60 = 10 COLUMN MATTE TIN (MAPS)
 75 = 25 COLUMN MATTE TIN (MAPS)
 90 = 10 COLUMN MATTE TIN
 85 = 25 COLUMN MATTE TIN

CONTACT LOAD (PIN HEIGHT)
 1 & 6 = 4.75
 2 & 7 = 6.25
 3 & 8 = 4.25
 4 & 9 = 5.15

| P/N | --*0* | --*1* | --*2* | --*3* | --*4* | --*5* | --*6* | --*7* | --*8* |
|------------------------|-------|-------|-------|-------|-------|-------|-------|-------|-------|
| 74981-() | 0 | A | B | C | D | E | F | G | H |
| KEYING PIN ORIENTATION | | | | | | | | | |

| | | | | | | | | | | | |
|--|---------------------|--|--|-------------------|--|---|--------------|---|--|--|--|
| SEE SHEET 1 IEC NO: UCP2013-0687 DRAWING NO: 2012/08/22 CHK'D BY: CHIKO MULLER APPR'D BY: CHIKO MULLER DATE: 2012/11/27 DATE: 2012/12/14 | QUALITY SYMBOLS | GENERAL TOLERANCES (UNLESS SPECIFIED) | | DIMENSION STYLE | | SCALE | DESIGN UNITS | THIRD ANGLE PROJECTION | | | |
| | | | | MM ONLY | | 4:1 | METRIC | | | | |
| | | | | DRAWN BY: NMARTIN | | DATE: 2002/09/06 | | HSD SALES ASSEMBLY 6 ROW SHIELD END BACKPLANE | | | |
| | | | | CHECKED BY: SREED | | DATE: 2002/09/06 | | | | | |
| | | APPROVED BY: CBIXLER | | DATE: 2002/09/06 | | DOCUMENT NO. SD-74981-010 | | | | | |
| | | ANGULAR ± 1° | | MATERIAL NO. | | SHEET NO. | | 2 OF 2 | | | |
| | | DRAFT WHERE APPLICABLE MUST REMAIN WITHIN DIMENSIONS | | SEE TABLE | | THIS DRAWING CONTAINS INFORMATION THAT IS PROPRIETARY TO MOLEX INCORPORATED AND SHOULD NOT BE USED WITHOUT WRITTEN PERMISSION | | | | | |