

Excellent Integrated System Limited

Stocking Distributor

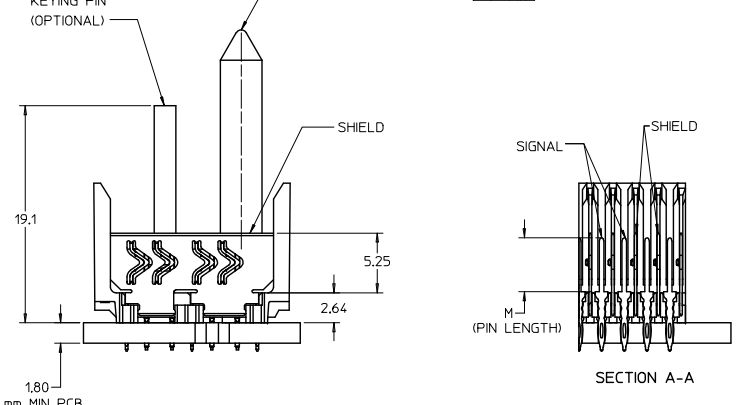
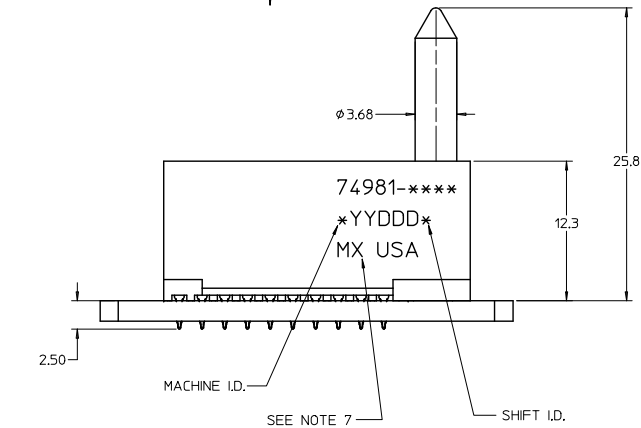
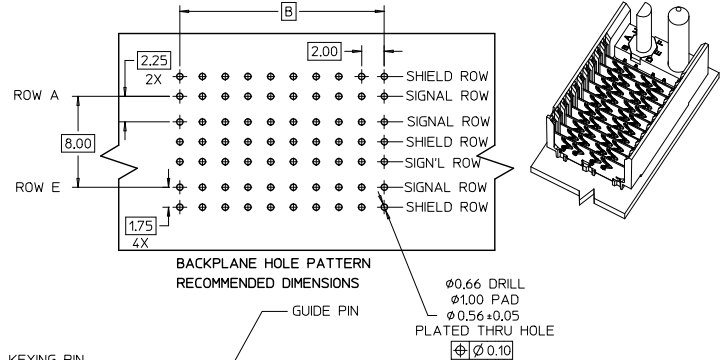
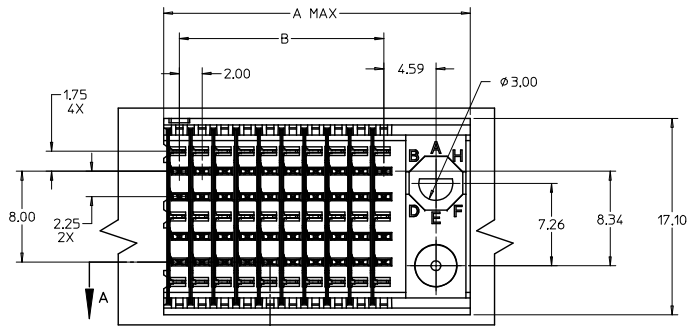
Click to view price, real time Inventory, Delivery & Lifecycle Information:

[Molex Connector Corporation](#)
[0749812502](#)

For any questions, you can email us directly:

sales@integrated-circuit.com

13 12 11 10 9 8 7 6 5 4 3 2 1



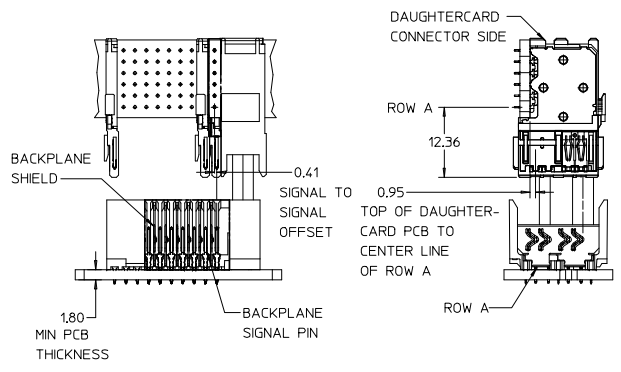
- NOTES:
1. MATERIAL: HOUSING-LIQUID CRYSTAL POLYMER (LCP) GLASS-FILLED. UL 94V-0. COLOR-BLACK. SIGNAL AND SHIELD - HIGH PERFORMANCE COPPER ALLOY.
 2. FINISHES:
CONTACT AREA: SELECTIVE GOLD (Au)
PCB TAILS: SELECTIVE MATTE TIN (Sn)
NICKEL (Ni) OVERALL.
 3. THIS PART CONFORMS TO MOLEX PRODUCT SPECIFICATION PS-74031-999.
 4. FOR MIXED CONTACT LENGTHS - CONSULT MOLEX FOR AVAILABILITY.
 5. FOR SPECIFIC PART NUMBER AND MATING INFORMATION REFER TO SHEET 2.
 6. PACKAGE PER PK-74058-003.
 7. MARK PART NUMBER AND DATE CODE APPROXIMATELY WHERE SHOWN
 8. MAPS (MOLEX ADVANCED PLATING SYSTEM).

THE PRIMARY CARTON WITH A LABEL STATING "ELV AND ROHS COMPLAINT" IS LEAD FREE. CARTONS WITHOUT THIS LABEL MAY CONTAIN LEAD.

LEAD FREE CONVERSION EC NO: UCP2015-0687 DRAWN BY: 2012/08/27 CHKD BY: 2012/11/17 APPROV BY: 2012/12/14	QUALITY SYMBOLS ▽=0 ▽=0 ▽=0	GENERAL TOLERANCES (UNLESS SPECIFIED)		DIMENSION STYLE MM ONLY		SCALE 4:1	DESIGN UNITS METRIC	THIRD ANGLE PROJECTION	
		mm	INCH	DRAWN BY NMARTIN	DATE 2002/09/06	TITLE HSD SALES ASSEMBLY 6 ROW SHIELD END BACKPLANE			
		4 PLACES ±	±	CHECKED BY SREED	DATE 2002/09/06	molex			
		3 PLACES ±	±	APPROVED BY CBIXLER	DATE 2002/09/06				
2 PLACES ±	±	ANGULAR ± 1°		MATERIAL NO. SEE SHT.2	DOCUMENT NO. SD-74981-010	SHEET NO. 1 OF 2			
1 PLACE ±	±	DRAFT WHERE APPLICABLE MUST REMAIN WITHIN DIMENSIONS		THIS DRAWING CONTAINS INFORMATION THAT IS PROPRIETARY TO MOLEX INCORPORATED AND SHOULD NOT BE USED WITHOUT WRITTEN PERMISSION					
0 PLACE ±	±								

12 11 10 9 8 7 6 5 4 3 2 1

PART NUMBER	COLUMN	NUMBER OF SIGNAL PIN	NUMBER OF SHIELD	A	B	M	GOLD THICKNESS MICROMETER	TIN THICKNESS MICROMETER
74981-60*1	10	40	10	27.00	18.00	4.75	0.25 MAPS	0.76-1.52
74981-x0*1							0.76	
74981-x0*6							1.27	
74981-75*1	25	100	25	57.00	48.00	0.25 MAPS		
74981-x5*1						0.76		
74981-x5*6						1.27		
74981-60*2	10	40	10	27.00	18.00	0.25 MAPS		
74981-x0*2						0.76		
74981-x0*7						1.27		
74981-75*2	25	100	25	57.00	48.00	0.25 MAPS		
74981-x5*2						0.76		
74981-x5*7						1.27		
74981-60*3	10	40	10	27.00	18.00	0.25 MAPS		
74981-x0*3						0.76		
74981-x0*8						1.27		
74981-75*3	25	100	25	57.00	48.00	0.25 MAPS		
74981-x5*3						0.76		
74981-x5*8						1.27		
74981-60*4	10	40	10	27.00	18.00	0.25 MAPS		
74981-x0*4						0.76		
74981-x0*9						1.27		
74981-75*4	25	100	25	57.00	48.00	0.25 MAPS		
74981-x5*4						0.76		
74981-x5*9						1.27		



74981 - * * * *

NUMBER OF COLUMNS/PLATING
 10 = 10 COLUMN MATTE TIN (FORMERLY TIN/LEAD)
 25 = 25 COLUMN MATTE TIN (FORMERLY TIN/LEAD)
 60 = 10 COLUMN MATTE TIN (MAPS)
 75 = 25 COLUMN MATTE TIN (MAPS)
 90 = 10 COLUMN MATTE TIN
 85 = 25 COLUMN MATTE TIN

CONTACT LOAD (PIN HEIGHT)
 1 & 6 = 4.75
 2 & 7 = 6.25
 3 & 8 = 4.25
 4 & 9 = 5.15

P/N	--*0*	--*1*	--*2*	--*3*	--*4*	--*5*	--*6*	--*7*	--*8*
74981-()	0	A	B	C	D	E	F	G	H
KEYING PIN ORIENTATION									

SEE SHEET 1 IEC NO: UCP2013-0687 DRAWING NO: 2012/08/22 CHK'D BY: CHIKO MULLER APPR'D BY: 2012/11/27 2012/12/14	QUALITY SYMBOLS	GENERAL TOLERANCES (UNLESS SPECIFIED)	DIMENSION STYLE	SCALE	DESIGN UNITS	THIRD ANGLE PROJECTION
	4 PLACES ± --- ± --- 3 PLACES ± --- ± --- 2 PLACES ± --- ± --- 1 PLACE ± --- ± --- 0 PLACE ± --- ± ---	mm INCH ± --- ± --- ± --- ± --- ± --- ± --- ± --- ± --- ± --- ± ---	MM ONLY	4:1	METRIC	THIRD ANGLE PROJECTION
	ANGULAR ± 1 ° DRAFT WHERE APPLICABLE MUST REMAIN WITHIN DIMENSIONS	DRAWN BY: NMARTIN CHECKED BY: SREED APPROVED BY: CBIXLER DATE: 2002/09/06 DATE: 2002/09/06 DATE: 2002/09/06	MATERIAL NO. SEE TABLE	TITLE: HSD SALES ASSEMBLY 6 ROW SHIELD END BACKPLANE molex DOCUMENT NO. SD-74981-010	SHEET NO. 2 OF 2	
	THIS DRAWING CONTAINS INFORMATION THAT IS PROPRIETARY TO MOLEX INCORPORATED AND SHOULD NOT BE USED WITHOUT WRITTEN PERMISSION					