

Excellent Integrated System Limited

Stocking Distributor

Click to view price, real time Inventory, Delivery & Lifecycle Information:

[Molex Connector Corporation](#)
[0855065001](#)

For any questions, you can email us directly:

sales@integrated-circuit.com

NOTES :

1- MATERIAL:

-HOUSING: LCP FIBER GLASS FILLED UL 94-V0, COLOR BLACK.
 -TERMINAL: PHOSPHOR BRONZE

PLATING :

BASE FINISH: NICKEL
 CONTACT SURFACE FINISH:
 GOLD,
 OR

GOLD FLASH OVER PALLADIUM NICKEL.

EXCEEDS PRODUCT REQUIREMENTS BASED ON PS-85506-001

2- JACK FOR MATING WITH IEC 60603-7 AND TIA-1096-A (90075 MOLEX SERIES).

3- PRODUCT SPECIFICATION PS-85506-001

4- PACKAGING SPECIFICATION PK-95022 (TRAY PACKAGING).

5- EXCEEDS CATEGORY 5E PERFORMANCE.

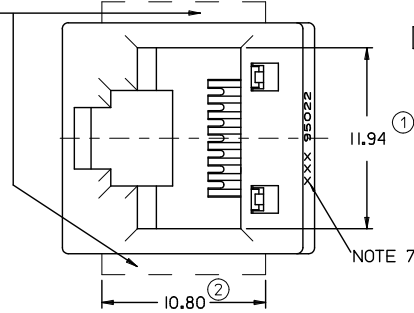
6- PC BOARD THICKNESS: 1.57

7- MANUFACTURING I.D. CAN BE MG, MXF OR MXI.

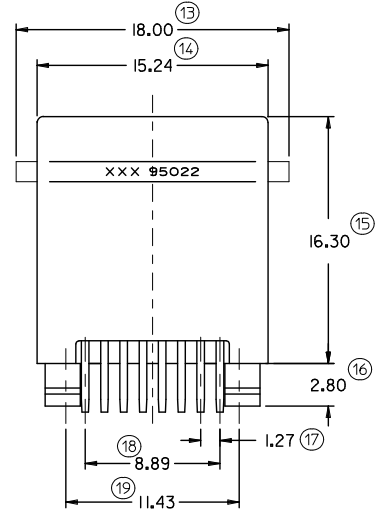
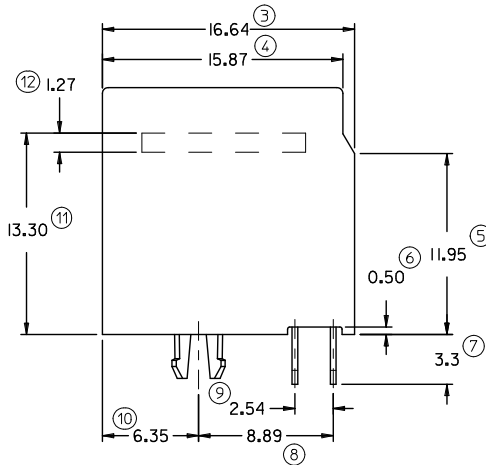
8- APPLICATION SPECIFICATION: AS-85513-001

LAST INSPECTION NUMBER: 19

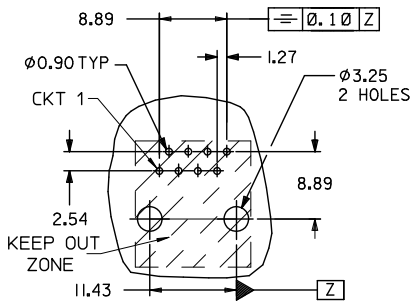
OPTIONAL RIBS



	JACK WITH RIBS	JACK WITHOUT RIBS
MATERIAL No.	85506-5001	85506-5002



P.C.B. MOUNTING PATTERN
 (see from component side)
 ALL DIMENSIONS REF DIMENSIONS



SCALE 2:1

REMOVED PLATING OPTION EC NO: IPG2012-0620 DRAWN BY: CHYKASHANAN CHKD BY: CHYKASHANAN APPR: EFULAN 2012/04/03 2012/04/17 2012/06/28	QUALITY SYMBOLS ▽=0 ▽=0	GENERAL TOLERANCES (UNLESS SPECIFIED)		DIMENSION STYLE MM ONLY		SCALE 4:1	DESIGN UNITS METRIC	THIRD ANGLE PROJECTION
		4 PLACES ± --- ± ---	3 PLACES ± --- ± ---	2 PLACES ± 0.15 ± ---	1 PLACE ± 0.25 ± ---	ANGULAR ± 2 °	DRAWN BY FB	DATE 98/02/25
DRAFT WHERE APPLICABLE MUST REMAIN WITHIN DIMENSIONS		MATERIAL NO. SEE CHART		DATE 1998/02/26		APPROVED BY FB		DATE 1998/02/28
		SIZE A3		THIS DRAWING CONTAINS INFORMATION THAT IS PROPRIETARY TO MOLEX INCORPORATED AND SHOULD NOT BE USED WITHOUT WRITTEN PERMISSION		DOCUMENT NO. SD-85506-501		SHEET NO. 1 OF 1