

Excellent Integrated System Limited

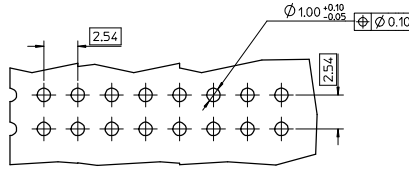
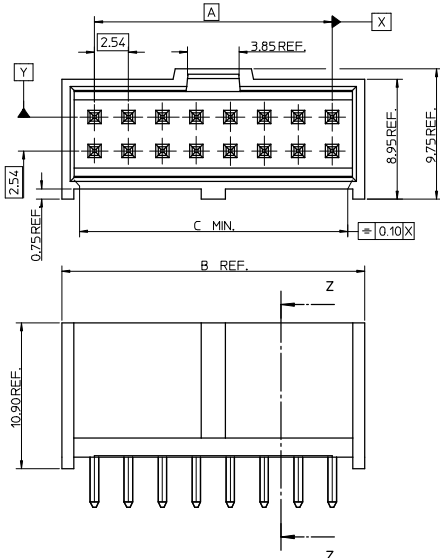
Stocking Distributor

Click to view price, real time Inventory, Delivery & Lifecycle Information:

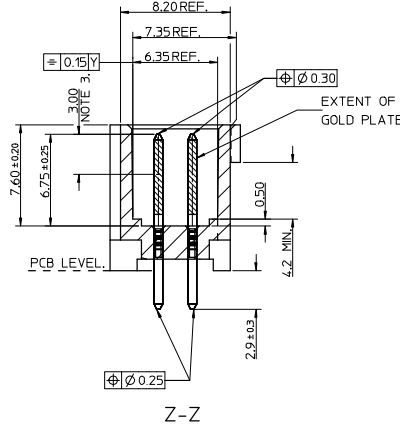
[Molex Connector Corporation](#)
[0918141310](#)

For any questions, you can email us directly:

sales@integrated-circuit.com



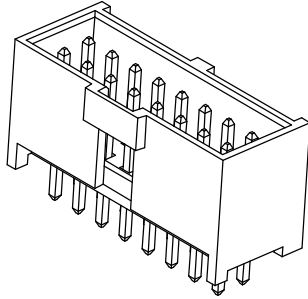
RECOMMENDED P.C. BOARD HOLE LAYOUT



NOTES:

- 1- MATERIAL:
PIN: 0.647 REF SQ. BRASS WIRE.
HOUSING: GLASS FILLED POLYESTER (PCT) UL 94-V0
COLOUR: BLACK
PLATING: SEE SHEET 2
- 2- PIN RETENTION FORCE 20N IN BOTH DIRECTIONS.
- 3- MEASUREMENT POINT FOR MINIMUM PLATING THICKNESS.
- 4- RECOMMENDED PCB THICKNESS 1.6mm
- 5- PRODUCT SPECIFICATION: PS-99020-0001

CKT SIZE	DIM A	DIM B	DIM C
6	5.08	9.96	8.12
8	7.62	12.50	10.66
10	10.16	15.04	13.20
12	12.70	17.58	15.74
14	15.24	20.12	18.28
16	17.78	22.66	20.82
18	20.32	25.20	23.36
20	22.86	27.74	25.90
22	25.40	30.28	28.44
24	27.94	32.82	30.98
26	30.48	35.36	33.52
28	33.02	37.90	36.06
30	35.56	40.44	38.60
32	38.10	42.98	41.14
34	40.64	45.52	43.68
36	43.18	48.06	46.22
38	45.72	50.60	48.76
40	48.26	53.14	51.30
42	50.80	55.68	53.84
44	53.34	58.22	56.38
46	55.88	60.76	58.92
48	58.42	63.30	61.46
50	60.96	65.84	64.00



ORIGINAL EIC NO: E2008-0145 DFW:DBYRNES CHKD: APPR: J WALLACE 2008/04/10 2008/04/11 2008/04/11	QUALITY SYMBOLS ▽=0 ▽=0	GENERAL TOLERANCES (UNLESS SPECIFIED)		DIMENSION STYLE MM ONLY		SCALE 5:1	DESIGN UNITS METRIC	THIRD ANGLE PROJECTION
		4 PLACES ± --- ± --- 3 PLACES ± --- ± --- 2 PLACES ± 0.15 ± --- 1 PLACE ± 0.25 ± --- ANGULAR ± 5 °	mm INCH	DRAWN BY DBYRNES 2007/07/26	DATE 2007/07/26	TITLE C-GRID III DUAL ROW T/HOLE SHROUDED HEADER ROHS COMPATIBLE		
DRAFT WHERE APPLICABLE MUST REMAIN WITHIN DIMENSIONS	SEE CHARTS	CHECKED BY EQMAHONY 2007/07/27	DATE 2007/07/27	MOLEX INCORPORATED		MATERIAL NO. SEE CHARTS	DOCUMENT NO. SD-91814-002	SHEET NO. 1 OF 2
THIS DRAWING CONTAINS INFORMATION THAT IS PROPRIETARY TO MOLEX INCORPORATED AND SHOULD NOT BE USED WITHOUT WRITTEN PERMISSION								

13 12 11 10 9 8 7 6 5 4 3 2 1

NO OF CKTS	PART NUMBER		
	PLATING TYPE A	PLATING TYPE B	PLATING TYPE C
6	91814 -1106	91814 -1206	91814 -1306
8	▲ -1108	▲ -1208	▲ -1308
10	▲ -1110	▲ -1210	▲ -1310
12	▲ -1112	▲ -1212	▲ -1312
14	▲ -1114	▲ -1214	▲ -1314
16	▲ -1116	▲ -1216	▲ -1316
18	▲ -1118	▲ -1218	▲ -1318
20	▲ -1120	▲ -1220	▲ -1320
22	▲ -1122	▲ -1222	▲ -1322
24	▲ -1124	▲ -1224	▲ -1324
26	▲ -1126	▲ -1226	▲ -1326
28	▲ -1128	▲ -1228	▲ -1328
30	▲ -1130	▲ -1230	▲ -1330
32	▲ -1132	▲ -1232	▲ -1332
34	▲ -1134	▲ -1234	▲ -1334
36	▲ -1136	▲ -1236	▲ -1336
38	▲ -1138	▲ -1238	▲ -1338
40	▲ -1140	▲ -1240	▲ -1340
42	▲ -1142	▲ -1242	▲ -1342
44	▲ -1144	▲ -1244	▲ -1344
46	▲ -1146	▲ -1246	▲ -1346
48	▲ -1148	▲ -1248	▲ -1348
50	91814 -1150	91814 -1250	91814 -1350

NOTES:
 1- FOR ASSY SEE SHEET 1.
 2- FOR PLATING DETAILS SEE SDES-99000-0003

ORIGINAL IEC NO: E2008-0145 DFW:DBRYNES 2008/04/10 CHKD: 2008/04/11 APPR: J WALLACE 2008/04/11 REV: A	QUALITY SYMBOLS ▽=0 ▽=0	GENERAL TOLERANCES (UNLESS SPECIFIED) mm INCH		DIMENSION STYLE MM ONLY	SCALE 1:1	DESIGN UNITS METRIC	THIRD ANGLE PROJECTION	
		4 PLACES ±--- ±--- 3 PLACES ±--- ±--- 2 PLACES ±0.15 ±--- 1 PLACE ±0.25 ±--- ANGULAR ± 5°	DRAWN BY DBRYNES 2007/07/26 CHECKED BY EQMAHONY 2007/07/27 APPROVED BY EQMAHONY 2007/07/27	TITLE C-GRID III DUAL ROW T/HOLE SHROUDED HEADER ROHS COMPATIBLE		MOLEX INCORPORATED		MATERIAL NO. SEE CHART
DRAFT WHERE APPLICABLE MUST REMAIN WITHIN DIMENSIONS		THIS DRAWING CONTAINS INFORMATION THAT IS PROPRIETARY TO MOLEX INCORPORATED AND SHOULD NOT BE USED WITHOUT WRITTEN PERMISSION						

13 12 11 10 9 8 7 6 5 4 3 2 1