

Excellent Integrated System Limited

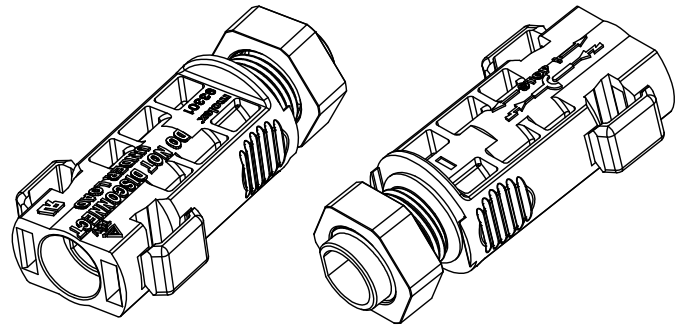
Stocking Distributor

Click to view price, real time Inventory, Delivery & Lifecycle Information:

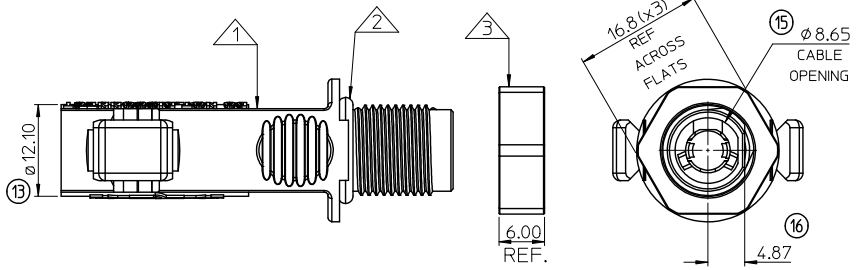
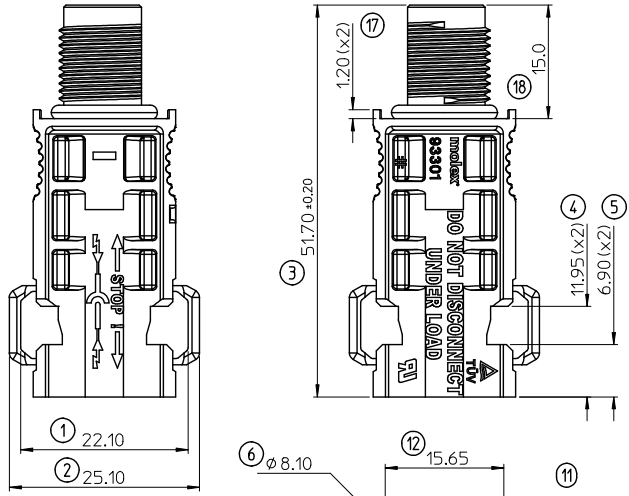
[Molex Connector Corporation](#)
[0933010201](#)

For any questions, you can email us directly:

sales@integrated-circuit.com



CONTACT USED: SEE SD-93302-001



NOTES:

1. MATERIALS: SEE TABLE
2. FINISHES: SEE TABLE
3. PRODUCT SPECIFICATION: PS-93301-001
4. PACKAGING SPECIFICATION: PK-93301-002
5. MATES WITH: 130244-1201/1203
6. ASSEMBLY IS ROHS COMPLIANT
7. ASSEMBLY IS DELIVERED WITH PANEL NUT LOOSE IN BAG.
8. FOR DUSTCAPS PLEASE REFER TO SD-93301-009

LAST INSPECTION No: 18
REMOVED INSPECTION No's: (7) (14)

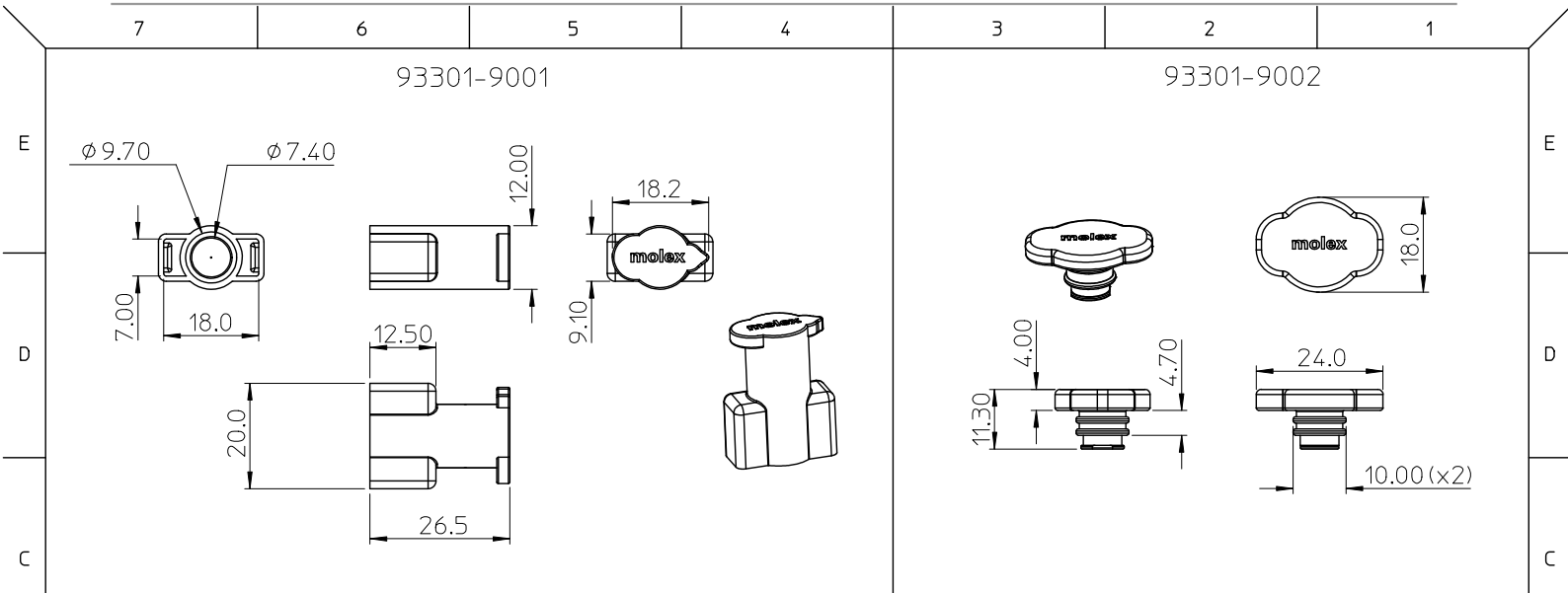
ITEM	QTY	DESCRIPTION	MATERIAL	FINISH
3	1	PANEL NUT	POLYCARBONATE(PC)	BLACK
2	1	O-RING PANEL SEAL	SILICONE	DARK GREY
1	1	PIN HOUSING	POLYCARBONATE(PC)	BLACK

REV	DESCRIPTION
A	

QUALITY SYMBOLS	GENERAL TOLERANCES (UNLESS SPECIFIED)
▽=0	4 PLACES ± --- ± ---
▽=0	3 PLACES ± --- ± ---
	2 PLACES ± 0.15 ± ---
	1 PLACE ± 0.25 ± ---
	ANGULAR ± 2 °

DIMENSION STYLE		SCALE	DESIGN UNITS	THIRD ANGLE PROJECTION
MM ONLY		2:1	METRIC	☉ □
DRAWN BY	DATE	TITLE		
DBYRNES	2011/06/22	SOLARSPEC PANEL MOUNT DC PIN ASSY CONNECTOR 14 - 10 AWG		
CHECKED BY	DATE	MATERIAL NO.		
SMCGREEVY	2011/08/16	933010201		
APPROVED BY	DATE	DOCUMENT NO.		
EFOLAN	2011/08/26	SD-93301-003		

MATERIAL NO.		DOCUMENT NO.	SHEET NO.
933010201		SD-93301-003	1 OF 1



NOTE'S

1. MATERIAL - SILICONE NE-7150
2. PARTS MUST BE RoHS COMPLIANT.
3. SUITABLE FOR USE WITH MOLEX SERIES 93301 & 130244 SOLARSPEC CONNECTORS.
4. PACKAGING SPECIFICATION: SEE CHART.

PART No.	DESCRIPTION	PKG SPEC
93301-9001	FEMALE SOCKET DUST CAP.	PK-93301-011
93301-9002	MALE PIN DUSTCAP.	PK-93301-012

ORIGINAL RELEASE EC NO: IPG2013-0910 DRW:DBYRNES 2012/09/18 CHKD:CKNOWLES 2012/12/14 APPR:STGRIFIN 2012/12/14	QUALITY SYMBOLS ▽=0 ▽=0	GENERAL TOLERANCES (UNLESS SPECIFIED)		DIMENSION STYLE MM ONLY		SCALE 1:1	DESIGN UNITS METRIC	THIRD ANGLE PROJECTION	
			mm	INCH	DRAWN BY DBYRNES	DATE 2012/09/18	TITLE 93301 SERIES SOLARSPEC DUSTCAPS		
		4 PLACES	± ---	± ---	CHECKED BY	DATE			
		3 PLACES	± ---	± ---	CKNOWLES	2012/12/14			
2 PLACES	± 0.25	± ---	APPROVED BY	DATE	molex DOCUMENT NO. SD-93301-009				
1 PLACE	± 0.38	± ---	STGRIFIN	2012/12/14					
0 PLACE	± ---	± ---	MATERIAL NO.		SHEET NO.		1 OF 1		
DRAFT WHERE APPLICABLE MUST REMAIN WITHIN DIMENSIONS		SEE CHART		THIS DRAWING CONTAINS INFORMATION THAT IS PROPRIETARY TO MOLEX INCORPORATED AND SHOULD NOT BE USED WITHOUT WRITTEN PERMISSION					