



Distributor of Molex Connector Corporation: Excellent Integrated System Limited
Datasheet of 0940304030 - Connector Quick Connect Receptacle 14-16 AWG 0.187"
(4.75mm) Crimp

Contact us: sales@integrated-circuit.com Website: www.integrated-circuit.com

Excellent Integrated System Limited

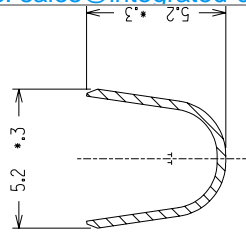
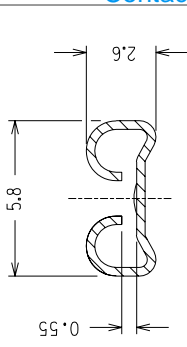
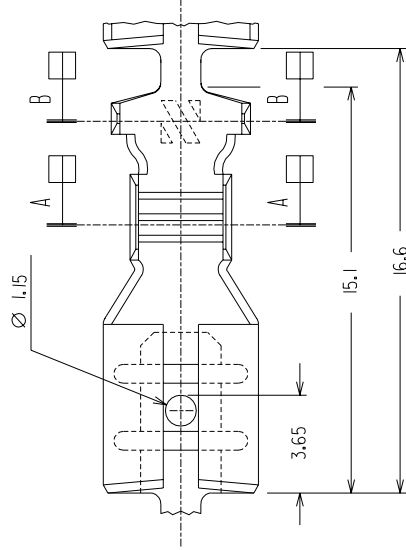
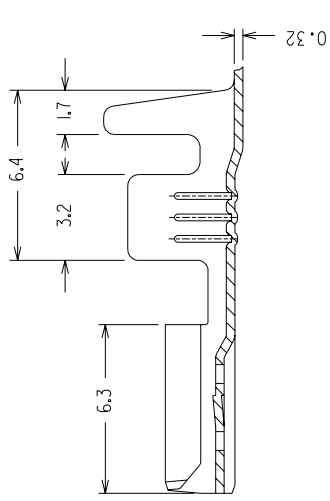
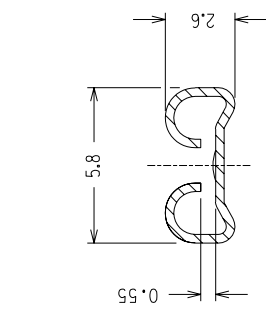
Stocking Distributor

Click to view price, real time Inventory, Delivery & Lifecycle Information:

[Molex Connector Corporation](#)
[0940304030](#)

For any questions, you can email us directly:
sales@integrated-circuit.com

Contact us: sales@integrated-circuit.com Website: www.integrated-circuit.com



CODICE P/N	MATERIALE MATERIAL	FINITURA PLATING
94030-4030	OTTONE BRASS	GREGGIO/ PLAIN
94030-4031		STAGNATO/ TIN

EC N: Z2004-0224		REV. 1	
GZUN 2004/04/28		SH	
L TR		REVISE ONLY ON CAD SYSTEM	
REVISIONS		CAD/CAM FILENAME CAD FILE 030403XS	
DIMENSIONS SHOWN (METRIC) INCH UNLESS OTHERWISE SPECIFIED TOLERANCES: ANGULAR ± 0.6 INCH (METRIC)		THIS DRAWING CONTAINS INFORMATION THAT IS PROPRIETARY TO MOLEX INC AND SHOULD NOT BE USED WITHOUT WRITTEN PERMISSION	
3 PLACE ±	± 0.1	TITLE CAPOCORDA FEMMINA PER MASCHIO 4,8 x 0,8 QIK KONNECT RECEPTACLE FOR 48 x 0,8 TABS	
2 PLACE ±	± 0.2	SEZ. RAME/ WIRE RANGE: 1,0-2,5 mm ² — ISOLANTE/INS. RANGE: Ø 2,7-4,3 mm	
1 PLACE		MOLEX INCORPORATED SHEET NO./DATE 1/1 22-12-89	
DESIGN DIMENSION (PRIMARY) □ (MM)		PART NO. VEDI TABELLA SEE CHART	
EQUIVALENT DIMENSION (SECONDARY) □ (MM)		DWG NO. SD-94030-403	
EQUIVALENT DIMENSION (SECONDARY) □ (IN.)		SCALE 5 : 1	
		M. Previato	
		APP'D BY	
		CHK'D BY F. Gottardo	
		DRWG BY	
		CAD/CAM FILENAME	
		CAD FILE 030403XS	
		REV. 1	
		SH	
		REVISE ONLY ON CAD SYSTEM	
		THIS DRAWING CONTAINS INFORMATION THAT IS PROPRIETARY TO MOLEX INC AND SHOULD NOT BE USED WITHOUT WRITTEN PERMISSION	
		TITLE	
		CAPOCORDA FEMMINA PER MASCHIO 4,8 x 0,8	
		QIK KONNECT RECEPTACLE FOR 48 x 0,8 TABS	
		SEZ. RAME/ WIRE RANGE: 1,0-2,5 mm ² — ISOLANTE/INS. RANGE: Ø 2,7-4,3 mm	
		MOLEX INCORPORATED SHEET NO./DATE 1/1 22-12-89	
		PART NO. VEDI TABELLA SEE CHART	
		DWG NO. SD-94030-403	
		SCALE 5 : 1	
		M. Previato	
		APP'D BY	
		CHK'D BY F. Gottardo	
		DRWG BY	
		CAD/CAM FILENAME	
		CAD FILE 030403XS	
		REV. 1	
		SH	