

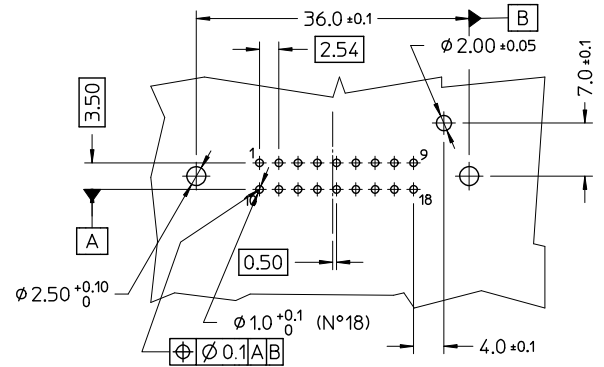
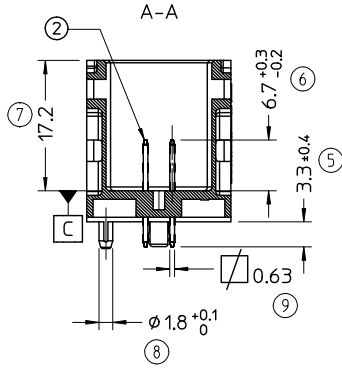
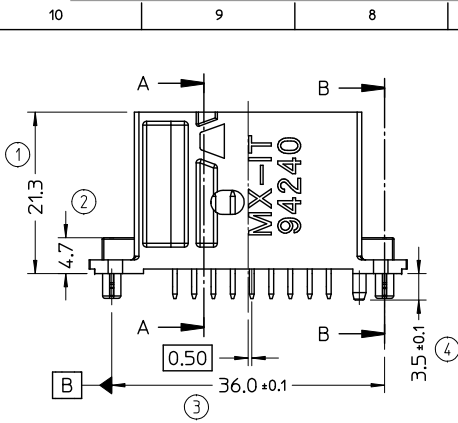
## **Excellent Integrated System Limited**

Stocking Distributor

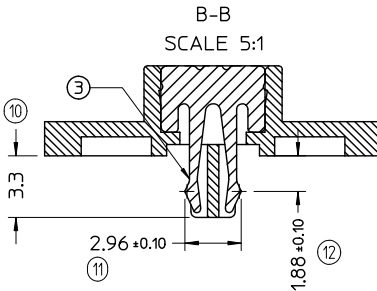
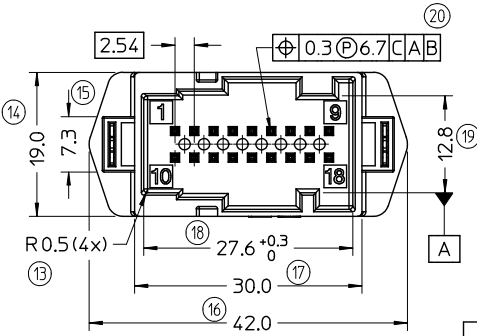
Click to view price, real time Inventory, Delivery & Lifecycle Information:

[Molex Connector Corporation](#)  
[0942403818](#)

For any questions, you can email us directly:  
[sales@integrated-circuit.com](mailto:sales@integrated-circuit.com)



RECOMMENDED PCB LAYOUT (COMPONENT SIDE)  
PCB THICKNESS 1.6 +/-0.15mm



A) MATERIALS:

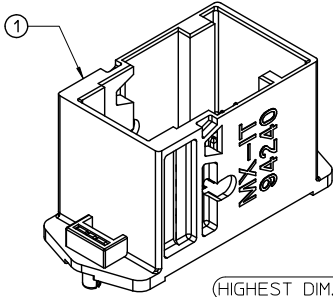
- 1) HOUSING: SEE TABLE
- 2) CONTACTS: BRASS, TIN OVER NICKEL PLATED
- 3) BOARD LOCKS: COPPER ALLOY

B) NOTES:

- RET. FORCE OF BOARD LOCK SYSTEM ON PCB: 15 N MIN.
- REF. DOCUMENT: PS-94240-001

P/N	PACKAGING	MATERIAL	S.P.O.
94240-2818	IN TRAYS	PCT 20% FV GREY	15120
94240-3818	IN CARTON BOXES	PBT 20% FV GREY	

Std.Descr.:\*HEADER GREY THRU HOLE W/PEGS 18 CKT\*



HIGHEST DIM. CONTROL No.: 20

EC No: Z7009-0059 DRAWN: SBARRIER 2009/04/21 CHKD: LSANTES 2009/04/21 APPR: FBISSELLO 2009/04/28	QUALITY SYMBOLS ▽ 0 ▽ 0	GENERAL TOLERANCES (UNLESS SPECIFIED)		SCALE 2:1	DESIGN UNITS METRIC	FIRST ANGLE PROJECTION	REVISE ON CAD ONLY
		mm	INCH	DIMENSION STYLE MM ONLY			
		4 PLACES ± ---	± ---	DRAWN BY FGOTTARD 2002/05/10		TITLE 18 CKT GREY HEADER WITH BOARD LOCKS	
		3 PLACES ± ---	± ---	CHECKED BY DATE		MOLEX INCORPORATED	
2 PLACES ± 0.3	± ---	APPROVED BY GZUIN 2002/05/10		MATERIAL NO. see table	DOCUMENT NO. SD-94240-003	SHEET NO. 1 OF 1	
1 PLACE ± 0.3	± ---	DRAFT WHERE APPLICABLE MUST REMAIN WITHIN DIMENSIONS		THIS DRAWING CONTAINS INFORMATION THAT IS PROPRIETARY TO MOLEX INCORPORATED AND SHOULD NOT BE USED WITHOUT WRITTEN PERMISSION			