

Excellent Integrated System Limited

Stocking Distributor

Click to view price, real time Inventory, Delivery & Lifecycle Information:

[Molex Connector Corporation](#)

[0945294109](#)

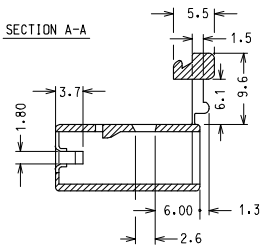
For any questions, you can email us directly:

sales@integrated-circuit.com

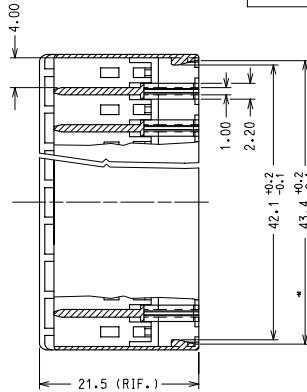
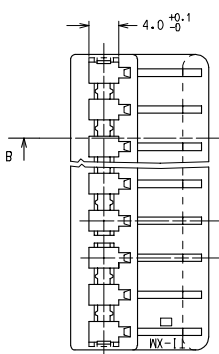
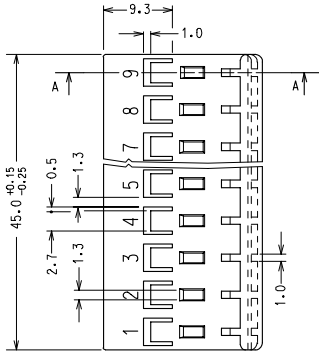
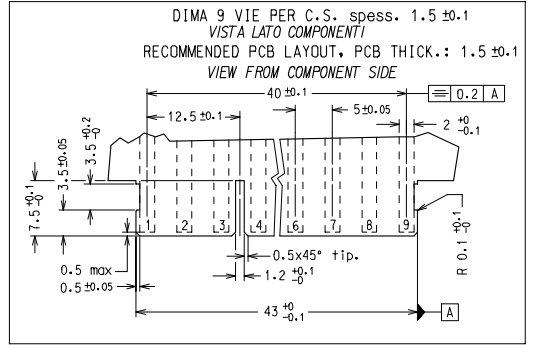
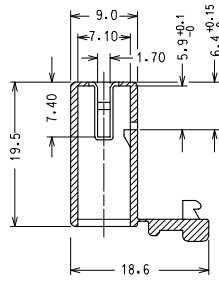
10 9 8 7 6 5 4 3 2 1

F
E
D
C
B
A

SECTION A-A



SECTION B-B



CODICE	P/N	MATERIAL
94529-9109		PA 6.6 NAT. UL94 V2 GWT 850 °C
94529-4109		NYLON 6.6 GWT 750 °C sec. IEC 60335-1 TEST METHOD IEC 60695-2-11 NATURAL

NOTA: LE DIMENSIONI VANNO MISURATE CON CORPI STABILIZZATI.
(AUMENTO IN PESO DEL 2.7 %)

NOTE: PARTS SHALL BE DIMENSIONALLY CHECKED AFTER ATTAINING EQUILIBRIUM CONDITIONS E.G. 27 % INCREASE IN WEIGHT FOR HUMIDITY ABSORPTION FROM DRY STATUS.

CARATTERISTICHE PRODOTTO SECONDO PS-94529
PRODUCT CHARACTERISTICS ACCORDING TO PS-94529 E

CONFEZIONE: 2500 pz. IN SCATOLA
PACKAGING: 2500 pcs IN CARTON BOX

SPQ: 2500 pz.

Descr. Std: HSG FOR FORK TERMINAL 9 CKT

EC NO: Z2007-0038 DRAWN BY: BRUNO BARBER CHKD BY: SANDRO APPR: FEBI SELLO 2006/09/20 2006/09/25	QUALITY SYMBOLS ▽=0 ▽=0	GENERAL TOLERANCES (UNLESS SPECIFIED)		DIMENSION STYLE MM ONLY		SCALE 2:1	DESIGN UNITS METRIC	FIRST ANGLE PROJECTION	
		4 PLACES ± --- ± --- 3 PLACES ± --- ± --- 2 PLACES ± 0.1 ± --- 1 PLACE ± 0.2 ± ---	mm INCH	DRAWN BY FGOTTARDO	DATE 2001/09/17	TITLE 9 CKT HOUSING FOR STRAIGHT FORK TERMINAL			
		ANGULAR ± 2 °		CHECKED BY MTESTAGUZZA	DATE 2001/09/17	MOLEX INCORPORATED			
A2	DRAFT WHERE APPLICABLE MUST REMAIN WITHIN DIMENSIONS	MATERIAL NO. SEE TABLE		DOCUMENT NO. SD-94529-025		SHEET NO. 1 OF 00			

9 8 7 6 5 4 3 2 1