

## Excellent Integrated System Limited

Stocking Distributor

Click to view price, real time Inventory, Delivery & Lifecycle Information:

[Molex Connector Corporation](#)  
[0494481611](#)

For any questions, you can email us directly:

[sales@integrated-circuit.com](mailto:sales@integrated-circuit.com)



10 9 8 7 6 5 4 3 2 1

\* TABLE 1 : PARTS-LIST

NO.	DESCRIPTION	ENGINEERING NO.	MATERIALS	FINISHES
1	mSD-CONTACT TERMINAL	49932-8031	PHOS.-BRONZE	Selective-Au over Ni
2	S-CONTACT TERMINAL	49814-8031	COPPER-ALLOY (C)	Selective-Au over Ni
3	mSD-METAL SHELL	49933-5003	STAINLESS STEEL	NI OVERALL
4	S-METAL SHELL	49934-5003	STAINLESS STEEL	NI OVERALL
5	HOUSING	49448-1691	LIQUID CRYSTAL POLYMER	UL94V-0
6	HEART CAM	49363-0001	LIQUID CRYSTAL POLYMER	UL94V-0
7	SWITCH TERMINAL 1	49820-8031	PHOS.-BRONZE	Selective-Au over Ni
8	SWITCH TERMINAL 2	49821-8031	PHOS.-BRONZE	Selective-Au over Ni
9	FITTING NAIL	49819-8003	PHOS.-BRONZE	PURE-Sn over Ni
10	PIN ROD	49225-9002	STAINLESS STEEL	
11	SPRING	49362-9001	STAINLESS STEEL	

\* TABLE 2 : REFERENCE

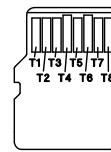
[ SIM CARD-8P PIN-MAP ]

PIN NUMBER	DESCRIPTION
S1	Vcc(Voltage)
S2	Vcc(Reset)
S3	CLK
S4	Reserved
S5	GND
S6	Vpp
S7	I/O
S8	Reserved

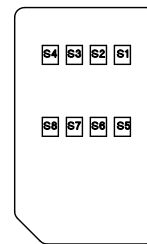
[ microSD CARD PIN-MAP ]

PIN NUMBER	DESCRIPTION
T1	DAT2
T2	CD/DAT3 <sup>2</sup>
T3	CMD
T4	V <sub>DD</sub>
T5	CLK
T6	V <sub>SS</sub> <sup>2</sup>
T7	DAT0
T8	DAT1

microSD CARD



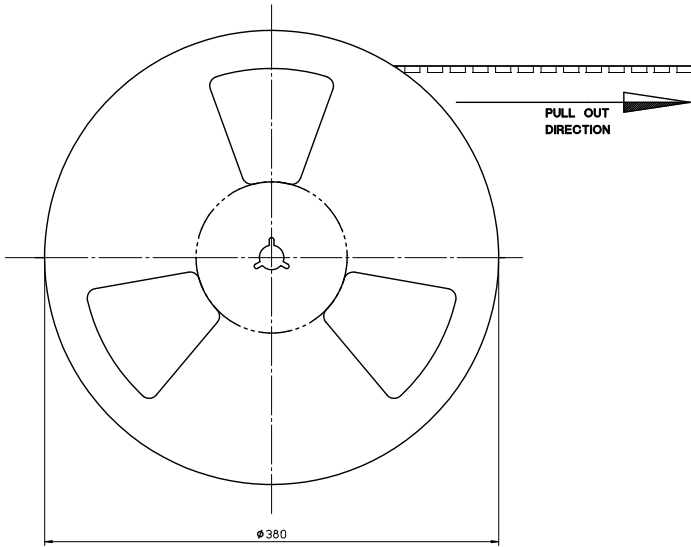
SIM CARD-8P



REVISED IEC NO: KOR2012-0006 C/DRAWN:HYOU CHYKC: APPR: TUNSIKKITH 2011/07/14 2011/07/14	QUALITY SYMBOLS	GENERAL TOLERANCES (UNLESS SPECIFIED) <table border="1"> <tr> <th></th> <th>mm</th> <th>INCH</th> </tr> <tr> <td>4 PLACES</td> <td>± ---</td> <td>± ---</td> </tr> <tr> <td>3 PLACES</td> <td>± ---</td> <td>± ---</td> </tr> <tr> <td>2 PLACES</td> <td>± 0.1</td> <td>± ---</td> </tr> <tr> <td>1 PLACE</td> <td>± 0.15</td> <td>± ---</td> </tr> <tr> <td colspan="3">ANGULAR ± 1°</td> </tr> </table>		mm	INCH	4 PLACES	± ---	± ---	3 PLACES	± ---	± ---	2 PLACES	± 0.1	± ---	1 PLACE	± 0.15	± ---	ANGULAR ± 1°			DIMENSION STYLE MM ONLY	SCALE 5:1	DESIGN UNITS METRIC	THIRD ANGLE PROJECTION
			mm	INCH																				
	4 PLACES		± ---	± ---																				
	3 PLACES		± ---	± ---																				
2 PLACES	± 0.1	± ---																						
1 PLACE	± 0.15	± ---																						
ANGULAR ± 1°																								
DRAWN BY S. H. CHU CHECKED BY S. J. SEH APPROVED BY E. H. JUNG DATE 2008/10/20 DATE 2008/10/20 DATE 2008/10/20	TITLE M-SD/SIM COMBO SOCKET FOR 8P/8P (BERYLLIUM FREE)	MATERIAL NO. SEE TABLE	DOCUMENT NO. SD-49448-001	MOLEX INCORPORATED MOLEX																				
DRAFT WHERE APPLICABLE MUST REMAIN WITHIN DIMENSIONS		THIS DRAWING CONTAINS INFORMATION THAT IS PROPRIETARY TO MOLEX INCORPORATED AND SHOULD NOT BE USED WITHOUT WRITTEN PERMISSION																						
		SHEET NO. 2 OF 3																						

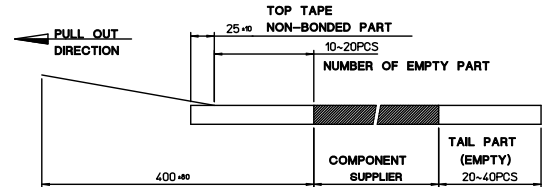
9 8 7 6 5 4 3 2 1

10 9 8 7 6 5 4 3 2 1

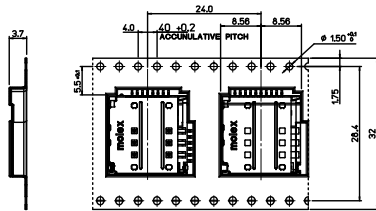
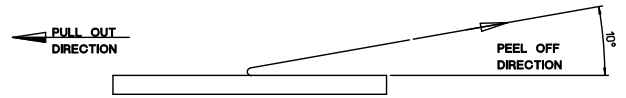


**NOTES**

1. QUANTITY OF CONNECTORS : 1,000PCS/REEL
2. LEAD LENGTH



3. PEELING OFF FORCE OF COVER TAPE : 0.1N-0.58N(10.2GF-60GF)  
(PEELING DIRECTION AS SHOW IN FOLLOW FIG.)  
- PEELING OFF SPEED : 300mm/Min.(Ref.)



35902-0011	35908-1003	49382-8901	49448-1811	494481811	49448-1811	8P/8P
COVER TAPE	REEL	EMBOSSD TAPE	CONNECTOR	MATERIAL NO.	ENG. NO.	CKTS

REVISED EC NO: KOR2012-0006 DRAWN:HYOU CHKD: APPR:YUNSIKIM 2011/07/14 2011/07/14	QUALITY SYMBOLS	GENERAL TOLERANCES (UNLESS SPECIFIED)	DIMENSION STYLE	SCALE	DESIGN UNITS	THIRD ANGLE PROJECTION
	▽=0	mm INCH	MM ONLY	5:1	METRIC	
	▽=0	4 PLACES ± --- ± ---	DRAWN BY DATE	TITLE		
		3 PLACES ± --- ± ---	S.H.CHU 2008/10/20	M-SD/SIM COMBO SOCKET FOR 8P/8P (BERYLLIUM FREE)		
	2 PLACES ± 0.1 ± ---	CHECKED BY DATE	MOLEX INCORPORATED			
	1 PLACE ± 0.15 ± ---	S.J. SEH 2008/10/20	DOCUMENT NO. SD-49448-001			
	ANGULAR ± 1 °	APPROVED BY DATE	SHEET NO. 3 OF 3			
	DRAFT WHERE APPLICABLE MUST REMAIN WITHIN DIMENSIONS	E.H. JUNG 2008/10/20	THIS DRAWING CONTAINS INFORMATION THAT IS PROPRIETARY TO MOLEX INCORPORATED AND SHOULD NOT BE USED WITHOUT WRITTEN PERMISSION			
		MATERIAL NO.	SEE TABLE			
		SIZE	A3			

9 8 7 6 5 4 3 2 1