

Excellent Integrated System Limited

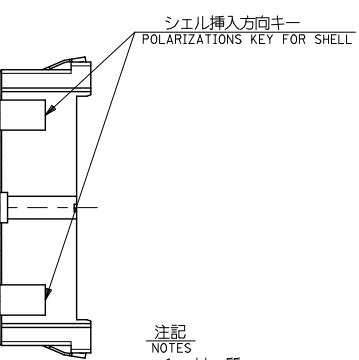
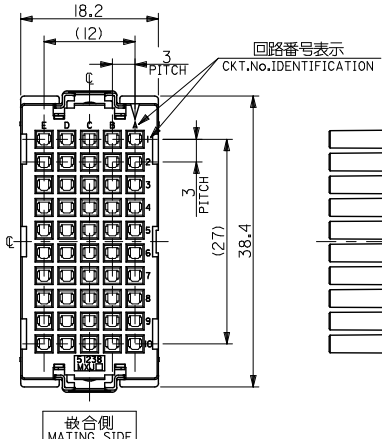
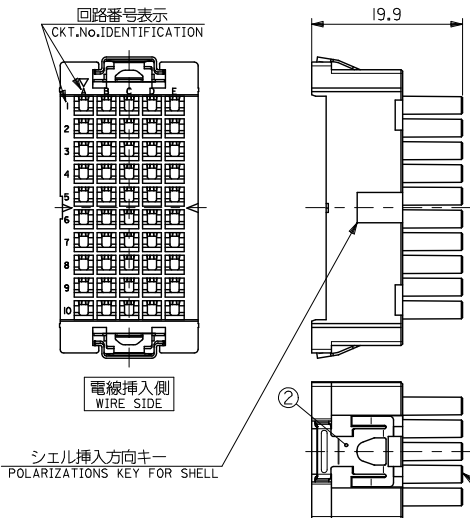
Stocking Distributor

Click to view price, real time Inventory, Delivery & Lifecycle Information:

[Molex Connector Corporation](#)
[0512385011](#)

For any questions, you can email us directly:
sales@integrated-circuit.com

10 9 8 7 6 5 4 3 2 1



注記
NOTES

- 材質
MATERIAL
①ハウジング: ガラス入りPBT樹脂
HOUSING: PBT G.F.
UL94V-0 色: 灰
UL94V-0 COLOR: GRAY
②スプリング: ステンレス鋼 t 0.3
SPRING: STAINLESS STEEL 10.3
- 適用端子: 56120-8*90, 56121-8*90
APPLICABLE CRIMP PIN: 56120-8*90, 56121-8*90
- 適用リセプタクル シェル: 56377-50**
APPLICABLE RECEPTACLE SHELL: 56377-50**
- 嵌合相手: 51234-501*
MEET WITH: 51234-501*

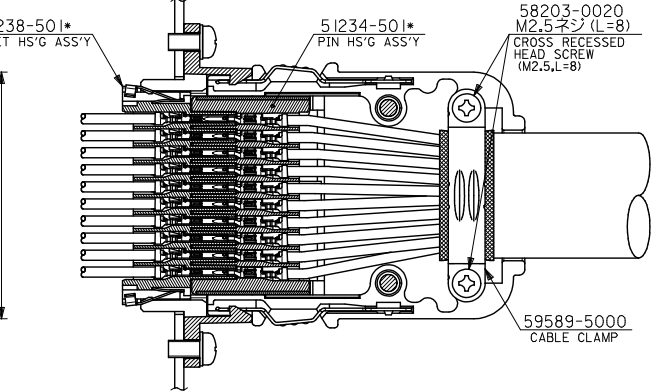
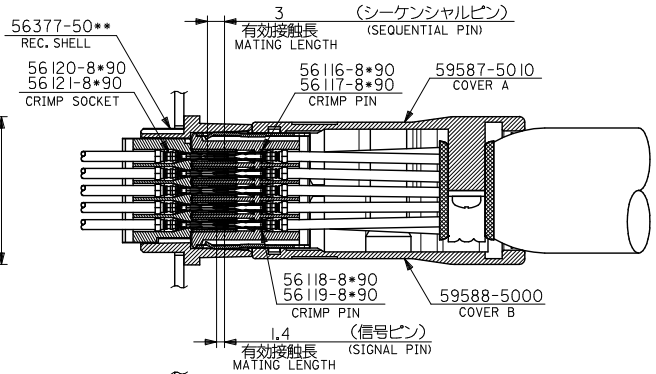
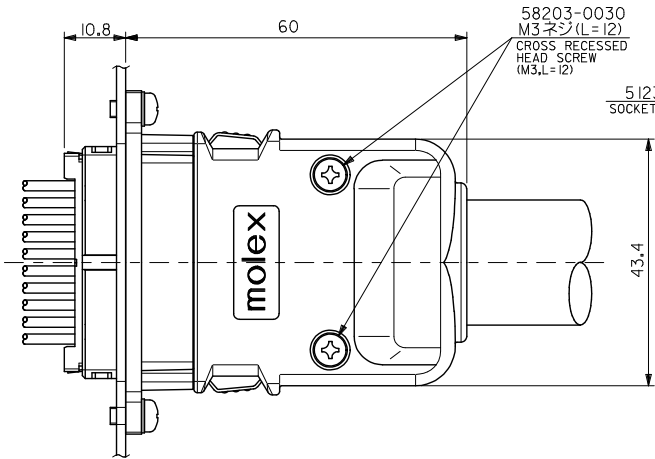
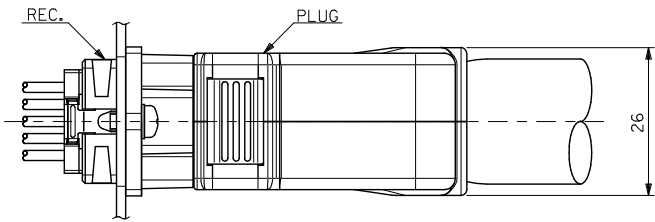
<誤嵌合防止キー(極性)タイプ> <POLARITY KEY TYPE>

51238-5011	51238-5012	51238-5013	51238-5014	51238-5015
STANDARD TYPE	A TYPE	B TYPE	C TYPE	D TYPE

D-6	C	51238-5014		
C-6	B	51238-5013	51238-*** *	50
C-5	STANDARD	51238-5011		
POLARITY POSITION (CIRCUIT NO.)	POLARITY TYPE	MATERIAL NO.	MODEL NO.	CIRCUIT

REVISED EC NO. J2009-1234 DRAWN: YOSHIDAM 2008/12/15 CHKD: THARYAMA 2008/12/15 APPR: NIKUITA 2008/12/16	GENERAL TOLERANCES (UNLESS SPECIFIED)		DIMENSION STYLE MM ONLY		SCALE ---	DESIGN UNITS METRIC	THIRD ANGLE PROJECTION
	10 UNDER	±0.2	DRAWN BY S. AKIYAMA	DATE '02/01/21	TITLE COMPACT ROBOT CONN. 50CKT. REC. SOCKET HSG ASS'Y		
	10 OVER 30 UNDER	±0.25	CHECKED BY J. MIYAZAWA	DATE '02/01/21	MOLEX INCORPORATED		
	30 OVER	±0.3	APPROVED BY Y. ITO	DATE '02/01/21	MATERIAL NO.	DOCUMENT NO. SD-51238-015	SHEET NO. 1 OF 4
ANGULAR ±3°		DRAFT WHERE APPLICABLE MUST REMAIN WITHIN DIMENSIONS		SEE TABLE			
THIS DRAWING CONTAINS INFORMATION THAT IS PROPRIETARY TO MOLEX INCORPORATED AND SHOULD NOT BE USED WITHOUT WRITTEN PERMISSION							

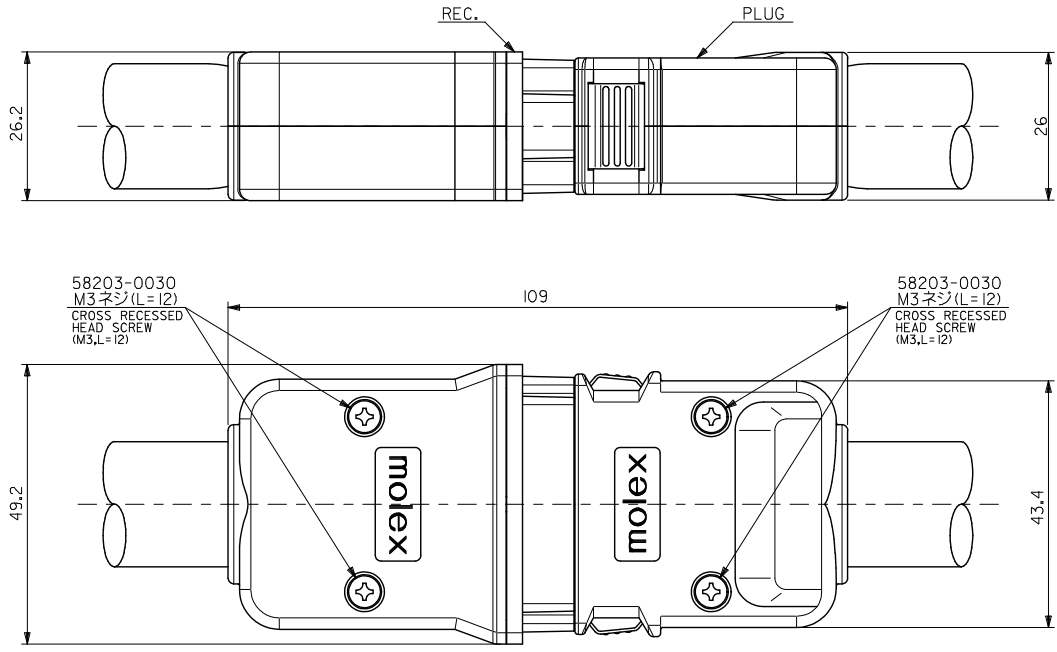
10 9 8 7 6 5 4 3 2 1



嵌合図
CROSS-SECTION VIEW OF MATED CONNECTOR

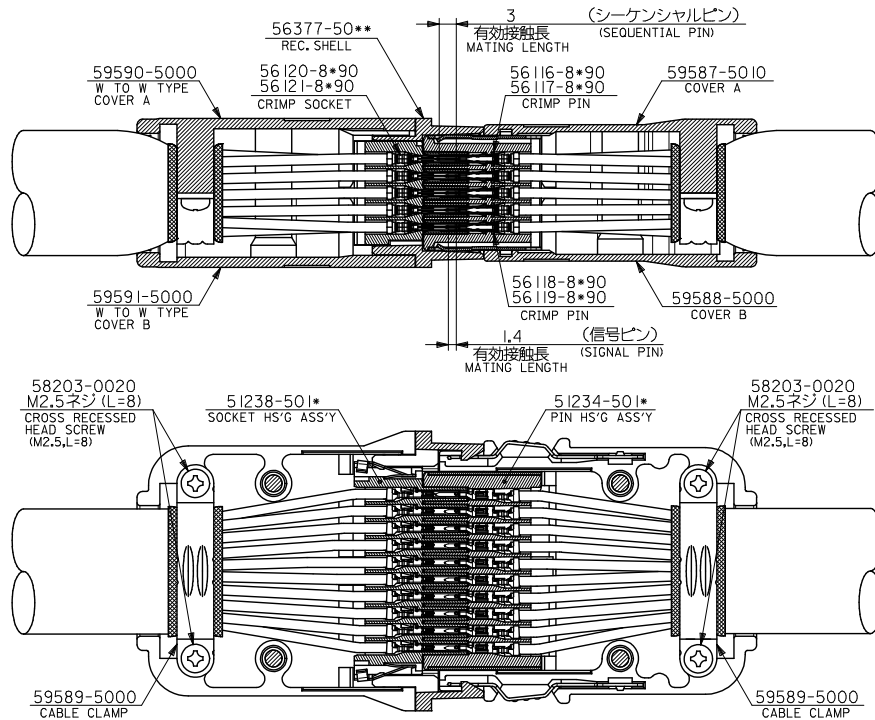
REVISED IEC NO. J2009-1234 DRAWN BY: YOSHIDAM 2008/12/15 CHIKO: HARUYAMA 2008/12/15 APPROVED BY: HARUKITA 2008/12/16	GENERAL TOLERANCES (UNLESS SPECIFIED)		DIMENSION STYLE	SCALE	DESIGN UNITS	THIRD ANGLE PROJECTION	
			MM ONLY	---	METRIC		
	DESCRIPTION	10 UNDER	± 0.2	DRAWN BY	DATE	TITLE	COMPACT ROBOT CONN. SOCKET REC. SOCKET HSG ASS'Y MOLEX INCORPORATED
		10 OVER 30 UNDER	± 0.25	A. SHIMOTSU	'02/01/29		
	30 OVER	± 0.3	CHECKED BY	DATE		MOLEX INCORPORATED DOCUMENT NO. SD-51238-015 SHEET NO. 2 OF 4	
	ANGULAR	± 3 °	J. MIYAZAWA	'02/01/29			
	DRAFT WHERE APPLICABLE MUST REMAIN WITHIN DIMENSIONS		APPROVED BY	DATE			
			Y. ITO	'02/01/29			
			MATERIAL NO.	SEE SHEET 1			
			SIZE	THIS DRAWING CONTAINS INFORMATION THAT IS PROPRIETARY TO MOLEX INCORPORATED AND SHOULD NOT BE USED WITHOUT WRITTEN PERMISSION			
			A3				

10 9 8 7 6 5 4 3 2 1



嵌合図(中継タイプ)
CROSS-SECTION VIEW OF MATED CONNECTOR
(WIRE TO WIRE TYPE)

REVISED IEC NO. J2009-1234 DRAWN: YOSHIDAM 2008/12/15 CHKD: HARUYAMA 2008/12/15 APPR: NUKITA 2008/12/16	GENERAL TOLERANCES (UNLESS SPECIFIED)		DIMENSION STYLE	SCALE	DESIGN UNITS	THIRD ANGLE PROJECTION
			MM ONLY	---	METRIC	
	DESCRIPTION	10 UNDER	± 0.2	DRAWN BY	DATE	TITLE
		10 OVER 30 UNDER	± 0.25	S. AKIYAMA	'02/01/29	COMPACT ROBOT CONN. 50CKT. REC. SOCKET HSG ASS'Y
	30 OVER	± 0.3	CHECKED BY	DATE		
	ANGULAR	± 3 °	J. MIYAZAWA	'02/02/04		
	DRAFT WHERE APPLICABLE MUST REMAIN WITHIN DIMENSIONS		APPROVED BY	DATE	MOLEX MOLEX INCORPORATED	
			Y. ITO	'02/02/04		
			MATERIAL NO.	SEE SHEET 1	DOCUMENT NO.	SHEET NO.
			SIZE	A3	SD-51238-015	3 OF 4
			THIS DRAWING CONTAINS INFORMATION THAT IS PROPRIETARY TO MOLEX INCORPORATED AND SHOULD NOT BE USED WITHOUT WRITTEN PERMISSION			



嵌合図 (中継タイプ)
CROSS-SECTION VIEW OF MATED CONNECTOR
(WIRE TO WIRE TYPE)

REVISED IEC NO. J2009-1234 DRAWN: YOSHIDAM 2008/12/15 CHKD: THARIYAMA 2008/12/15 APPR: NIKITA 2008/12/16 REV DESCRIPTION	GENERAL TOLERANCES (UNLESS SPECIFIED)		DIMENSION STYLE	SCALE	DESIGN UNITS	THIRD ANGLE PROJECTION
			MM ONLY	---	METRIC	
	10 UNDER	± 0.2	DRAWN BY	DATE	TITLE	
	10 OVER 30 UNDER	± 0.25	S. AKIYAMA	'02/01/29	COMPACT ROBOT CONN. SOCKET REC. SOCKET HS'G ASS'Y	
30 OVER	± 0.3	CHECKED BY	DATE	MOLEX INCORPORATED		
ANGULAR	± 3 °	J. MIYAZAWA	'02/02/04	MATERIAL NO.		
DRAFT WHERE APPLICABLE MUST REMAIN WITHIN DIMENSIONS		APPROVED BY	DATE	DOCUMENT NO.		
		Y. ITO	'02/02/04	SD-51238-015		
		SEE SHEET 1		SHEET NO.		
		THIS DRAWING CONTAINS INFORMATION THAT IS PROPRIETARY TO MOLEX INCORPORATED AND SHOULD NOT BE USED WITHOUT WRITTEN PERMISSION		4 OF 4		