

Excellent Integrated System Limited

Stocking Distributor

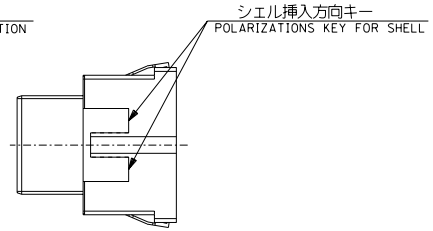
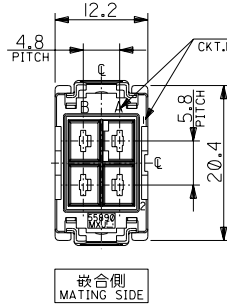
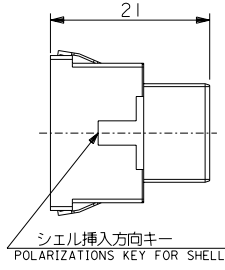
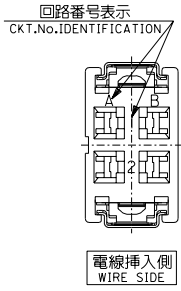
Click to view price, real time Inventory, Delivery & Lifecycle Information:

[Molex Connector Corporation](#)
[0558900411](#)

For any questions, you can email us directly:

sales@integrated-circuit.com

DWG. NO. SD-55890-003



注記
NOTES

- 材質
MATERIAL
①ハウジング: ガラス入りPBT樹脂
HOUSING: PBT G.F.
UL94V-0 色: 黒
UL94V-0 COLOR: BLACK
- ②スプリング: ステンレス鋼 t0.3
SPRING: STAINLESS STEEL t0.3
- 適用端子: 56193-4*85
APPLICABLE CRIMP PIN: 56193-4*85
- 適用リセプタクル シェル: 56377-12**
APPLICABLE RECEPTACLE SHELL: 56377-12**
- 嵌合相手: 51301-040*
MEET WITH: 51301-040*

<誤嵌合防止キー (極性) タイプ>

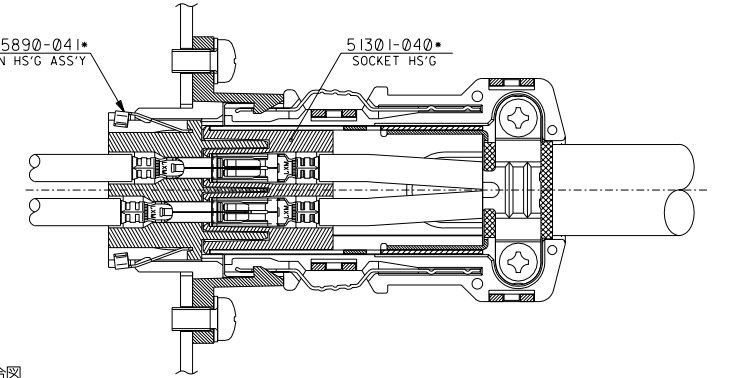
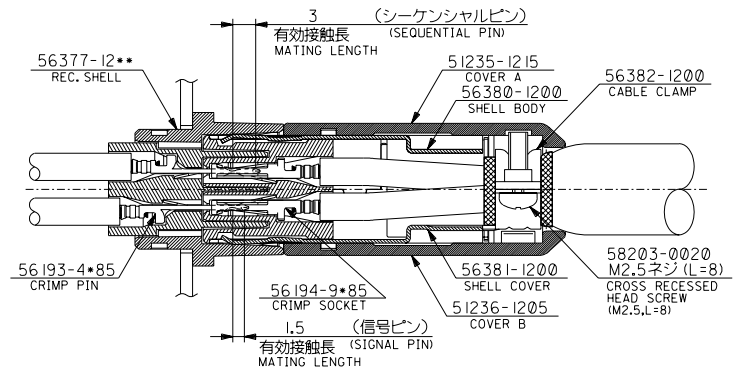
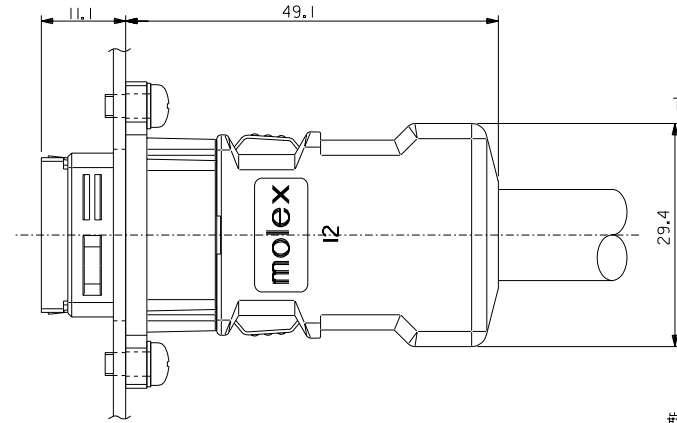
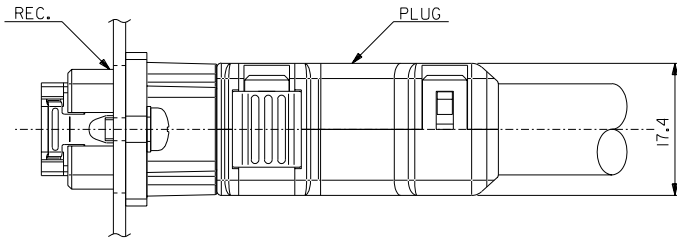
<POLARITY KEY TYPE>

55890-0401	55890-0402	55890-0403	55890-0404
A TYPE (CKT No. A-1)	B TYPE (CKT No. A-2)	C TYPE (CKT No. B-1)	D TYPE (CKT No. B-2)

D	55890-0414	55890-041*	4
C	55890-0413		
B	55890-0412		
A	55890-0411		
POLARITY TYPE	MATERIAL No.	MODEL No.	CIRCUIT

DO NOT SCALE DRAWING	EC NO. DRWN: CHK: APPR:	EC NO. DRWN: CHK: APPR:	EC NO. DRWN: CHK: APPR:	REVISED '02/04/15	MATERIAL 材料	GENERAL TOLERANCES: (UNLESS SPECIFIED) 一般公差	SCALE 2-1	DESIGN UNITS mm INCH	THIRD ANGLE PROJECTION	DIMENSIONS: mm INCH mm ONLY	SHT REV	REVISE ON CAD ONLY	
				EC NO. J2002-2601 DRWN: SAKIYAMA CHK: MIYAZAWA APPR: YOKITO									DESCRIPTION 注記参照 SEE NOTES
8	7	6	5	4	3	2	1	APPROVED BY & DATE Y. Okamoto		MOLEX INCORPORATED		SHEET NO. 1 OF 4	
CAD FILENAME: 55890003.S01											MATERIAL NO.		DRAWING NO.

DWG. NO. SD-55890-003



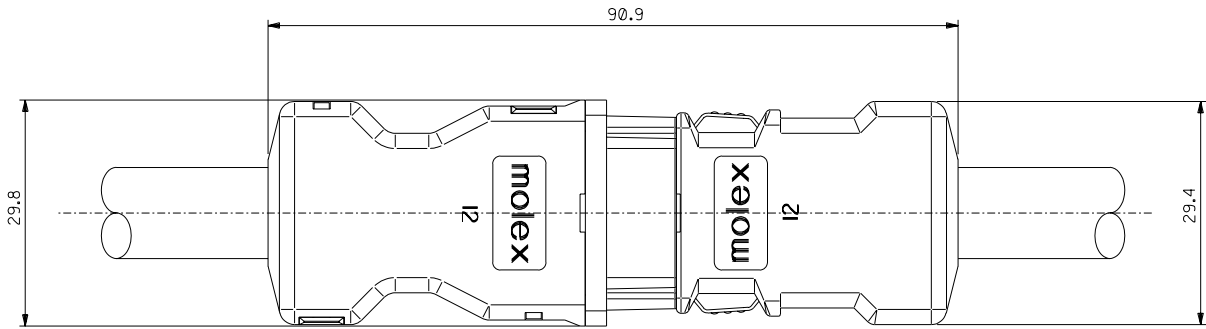
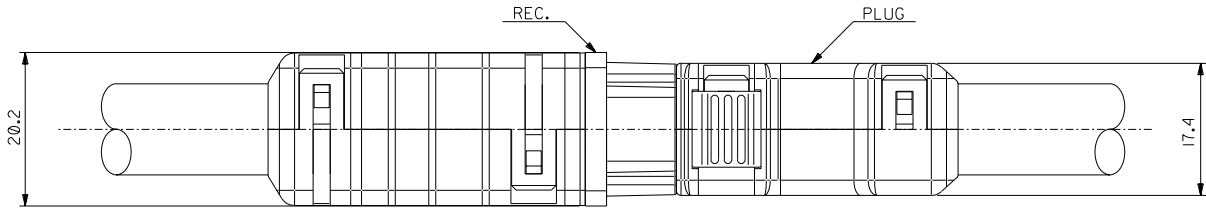
敬告図
CROSS-SECTION VIEW OF MATED CONNECTOR

DO NOT SCALE DRAWING

EC NO. DRWN: CHK: APPR:	EC NO. DRWN: CHK: APPR:	EC NO. DRWN: CHK: APPR:	REVISED '02/04/15	MATERIAL 材料	GENERAL TOLERANCES: (UNLESS SPECIFIED) 一般公差	SCALE 2-1	DESIGN UNITS mm INCH	THIRD ANGLE PROJECTION	DIMENSIONS: mm INCH mm INCH	SHT REV	REV REVISE ON CAD ONLY	
			EC NO. J2002-2601 DRWN: SAKIYAMA CHK: MIYAZAWA APPR: YOKITO									FINISH 仕上り
A	0	REV	RELEASED '01/10/12	DESCRIPTION	10 OVER 以上	30 UNDER 未満	+0.25	APPROVED BY & DATE <i>Y. Oka</i>	MOLEX INCORPORATED	MATERIAL NO. SEE CHART	DRAWING NO. SD-55890-003	SHEET NO. 2 OF 4
			EC NO. J2002-0854 DRWN: SAKIYAMA CHK: MIYAZAWA APPR: YOKITO									
8	7	6	5	4	3	2	1					

55890003.S02

DWG. NO.
SD-55890-003

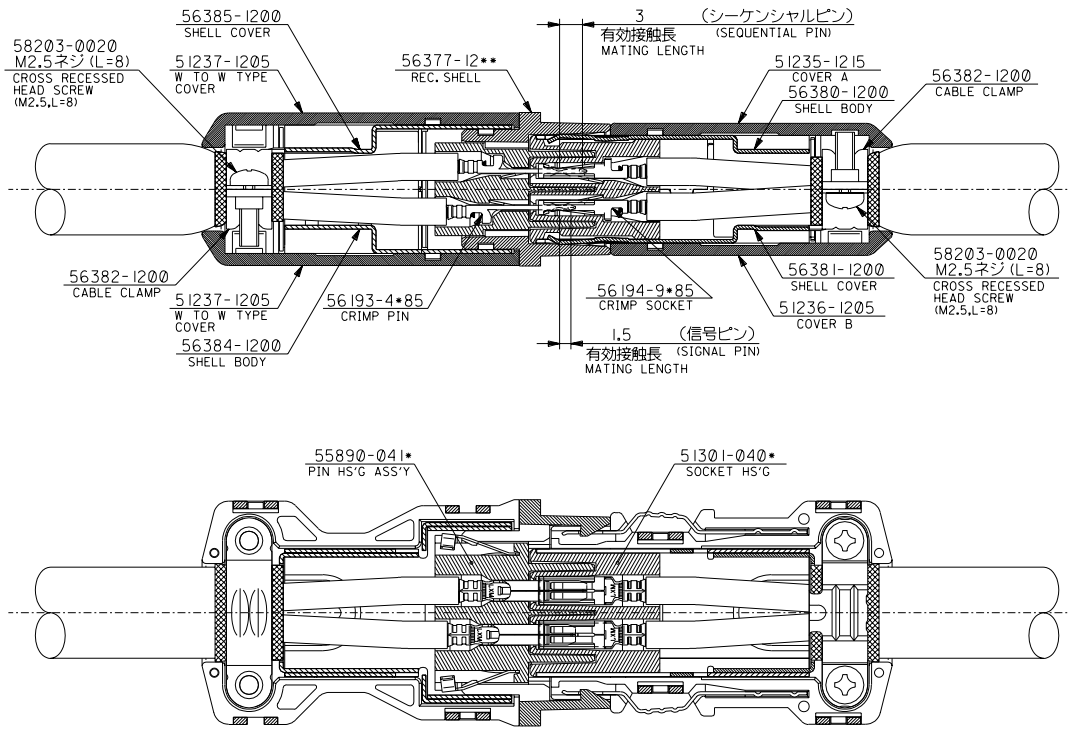


嵌合図 (中継タイプ)

CROSS-SECTION VIEW OF MATED CONNECTOR
(WIRE TO WIRE TYPE)

DO NOT SCALE DRAWING		EC NO. DRAWN: CHK: APPR:		EC NO. DRAWN: CHK: APPR:		EC NO. DRAWN: CHK: APPR:		REVISED 02/04/15 EC NO. J2002-2601 DRAWN: SAKIYAMA CHK: MIYAZAWA APPR: YOHITO		RELEASED 01/10/12 EC NO. J2002-0854 DRAWN: SAKIYAMA CHK: MIYAZAWA APPR: YOHITO		MATERIAL 材料 注記参照 SEE NOTES		GENERAL TOLERANCES: (UNLESS SPECIFIED) 一般公差		SCALE 2-1		DESIGN UNITS <input checked="" type="checkbox"/> mm <input type="checkbox"/> INCH		THIRD ANGLE PROJECTION		DIMENSIONS: <input type="checkbox"/> mm <input type="checkbox"/> INCH <input checked="" type="checkbox"/> mm ONLY		SHT REV													
8		7		6		5		4		3		2		1		1		1		1		1															
A		0		REV		FINISH 仕上り		WIRE RANGE 適用電線範囲		INS. RANGE 被覆外径		10 UNDER 未満		10 OVER 以上		30 UNDER 未満		30 OVER 以上		ANGLE 角度		DRAWN BY & DATE <i>S. Sakiyama</i> 01/10/11		CHECKED BY & DATE <i>Miyazawa</i>		APPROVED BY & DATE <i>Y. Ota</i>		CAD FILENAME 55890003.S03		MATERIAL NO. SEE CHART		DRAWING NO. SD-55890-003		SHEET NO. 3 OF 4		SIZE B	
																						TITLE: COMPACT ROBOT CONN. POWER REC. PIN HSG ASS'Y		MOLEX INCORPORATED		THIS DRAWING CONTAINS INFORMATION THAT IS PROPRIETARY TO MOLEX INCORPORATED AND SHOULD NOT BE USED WITHOUT WRITTEN PERMISSION.		EN-02J(097) MXJ-54		55890003.003							

DWG. NO. SD-55890-003



嵌合図 (中継タイプ)
CROSS-SECTION VIEW OF MATED CONNECTOR
(WIRE TO WIRE TYPE)

DO NOT SCALE DRAWING	EC NO. DRAWN: CHK: APPR:	EC NO. DRAWN: CHK: APPR:	EC NO. DRAWN: CHK: APPR:	REVISED 02/04/15	MATERIAL 材料	GENERAL TOLERANCES: (UNLESS SPECIFIED) 一般公差	SCALE 2-1	DESIGN UNITS <input checked="" type="checkbox"/> mm <input type="checkbox"/> INCH	THIRD ANGLE PROJECTION	DIMENSIONS: <input type="checkbox"/> mm <input type="checkbox"/> INCH <input checked="" type="checkbox"/> mm ONLY	SHT REV	REV REVISE ON CAD ONLY
				EC NO. J2002-2601 DRAWN: SAKIYAMA CHK: MIYAZAWA APPR: YOHIO								
8				RELEASED 01/10/12	FINISH 仕上り	10 OVER 30 UNDER 以上 未満	+0.25	CHECKED BY & DATE <i>M. Masuda</i>	<input checked="" type="checkbox"/> MOLEX			
7				EC NO. J2002-0854 DRAWN: SAKIYAMA CHK: MIYAZAWA APPR: YOHIO	WIRE RANGE 適用電線範囲	30 OVER 以上	+0.3	APPROVED BY & DATE <i>Y. Ota</i>				
6				0	INS. RANGE 被覆外径	ANGLE 角度	+3°	CAD FILENAME 55890003.S04	MATERIAL NO. SEE CHART	DRAWING NO. SD-55890-003	SHEET NO. 4 OF 4	SIZE B
5								THIS DRAWING CONTAINS INFORMATION THAT IS PROPRIETARY TO MOLEX INCORPORATED AND SHOULD NOT BE USED WITHOUT WRITTEN PERMISSION.				
4												
3												
2												
1												