

Excellent Integrated System Limited

Stocking Distributor

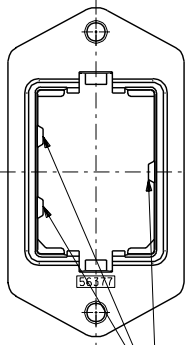
Click to view price, real time Inventory, Delivery & Lifecycle Information:

[Molex Connector Corporation](#)
[0563772001](#)

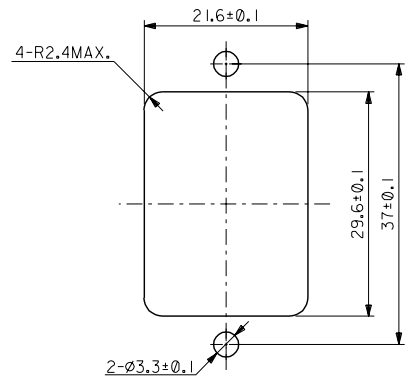
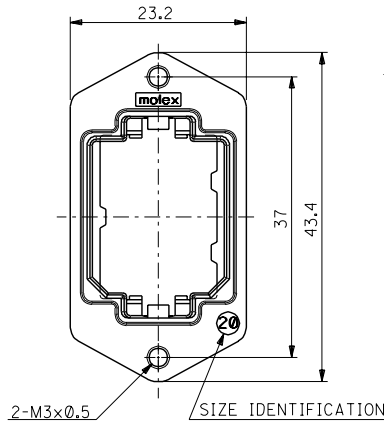
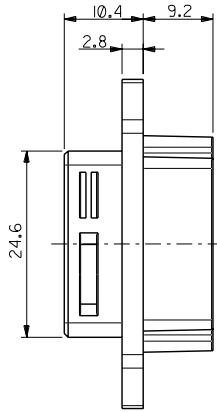
For any questions, you can email us directly:

sales@integrated-circuit.com

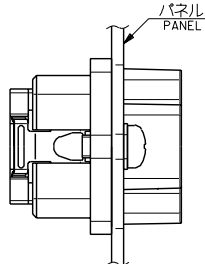
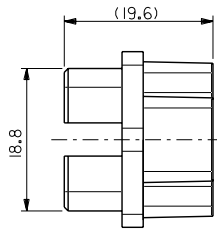
DWG. NO. SD-56377-008



ハウジング挿入方向キー
POLARIZATIONS KEY FOR HOUSING



推奨/パネル切り取り寸法 (後面取り付け)
RECOMMENDED PANEL OPENING (REAR MOUNTING)



パネル後面取り付け
REAR MOUNT TYPE

注記
NOTES

- 材質
MATERIAL
亜鉛合金、ニッケルメッキ
ZINC ALLOY, Ni PLATING
- 適用ハウジングアセンブリ: 51233-201* (PIN HS'G ASS'Y)
51238-201* (SOCKET HS'G ASS'Y)
APPLICABLE HOUSING ASS'Y: 51233-201* (PIN HS'G ASS'Y)
51238-201* (SOCKET HS'G ASS'Y)
- 推奨ねじ締め付けトルク: 5~6 kgf·cm
RECOMMENDED SCREW TIGHTENING TORQUE: 5~6 kgf·cm

56377-2001	56377-****
MATERIAL.NO	MODEL.NO
DIMENSIONS: <input type="checkbox"/> mm <input type="checkbox"/> inch <input checked="" type="checkbox"/> mm ONLY	SHT REV REVISE ON CAD ONLY

DO NOT SCALE DRAWING

EC NO. DRWN: CHK: APPR:	EC NO. DRWN: CHK: APPR:	EC NO. DRWN: CHK: APPR:	REVISED 01/10/17 EC NO. J2002-0932 DRWN: SAKIYAMA CHK: JIMYAZAWA APPR: YOHIO	RELEASED 01/02/09 EC NO. JD2001-1040 DRWN: SAKIYAMA CHK: JIMYAZAWA APPR: HIKESUGI	MATERIAL 材料 注記参照 SEE NOTES	GENERAL TOLERANCES: (UNLESS SPECIFIED) 一般公差	SCALE 2-1	DESIGN UNITS <input checked="" type="checkbox"/> mm <input type="checkbox"/> INCH	THIRD ANGLE PROJECTION <input checked="" type="checkbox"/> THIRD ANGLE <input type="checkbox"/> FIRST ANGLE	TITLE: COMPACT ROBOT CONN. (CRC) RECEPTACLE SHELL
8	7	6	A	0	FINISH 仕上げ	10 UNDER 未満	±0.2	DRAWN BY & DATE S. Okigami 01/25	APPROVED BY & DATE S. Okigami 01/25	MATERIAL NO. SEE CHART
					WIRE RANGE 適用電線範囲	10 OVER 以上	±0.25			DRAWING NO. SD-56377-008
					INS. RANGE 適用外径	30 UNDER 未満	±0.3	CAD FILE NAME 56377008.S01		SHEET NO. 1 OF 1
						ANGLE 角度	±3°	THIS DRAWING CONTAINS INFORMATION THAT IS PROPRIETARY TO MOLEX INCORPORATED AND SHOULD NOT BE USED WITHOUT WRITTEN PERMISSION.		SIZE B
										EN-02J(097) MXJ-54

56377008.S01