

## Excellent Integrated System Limited

Stocking Distributor

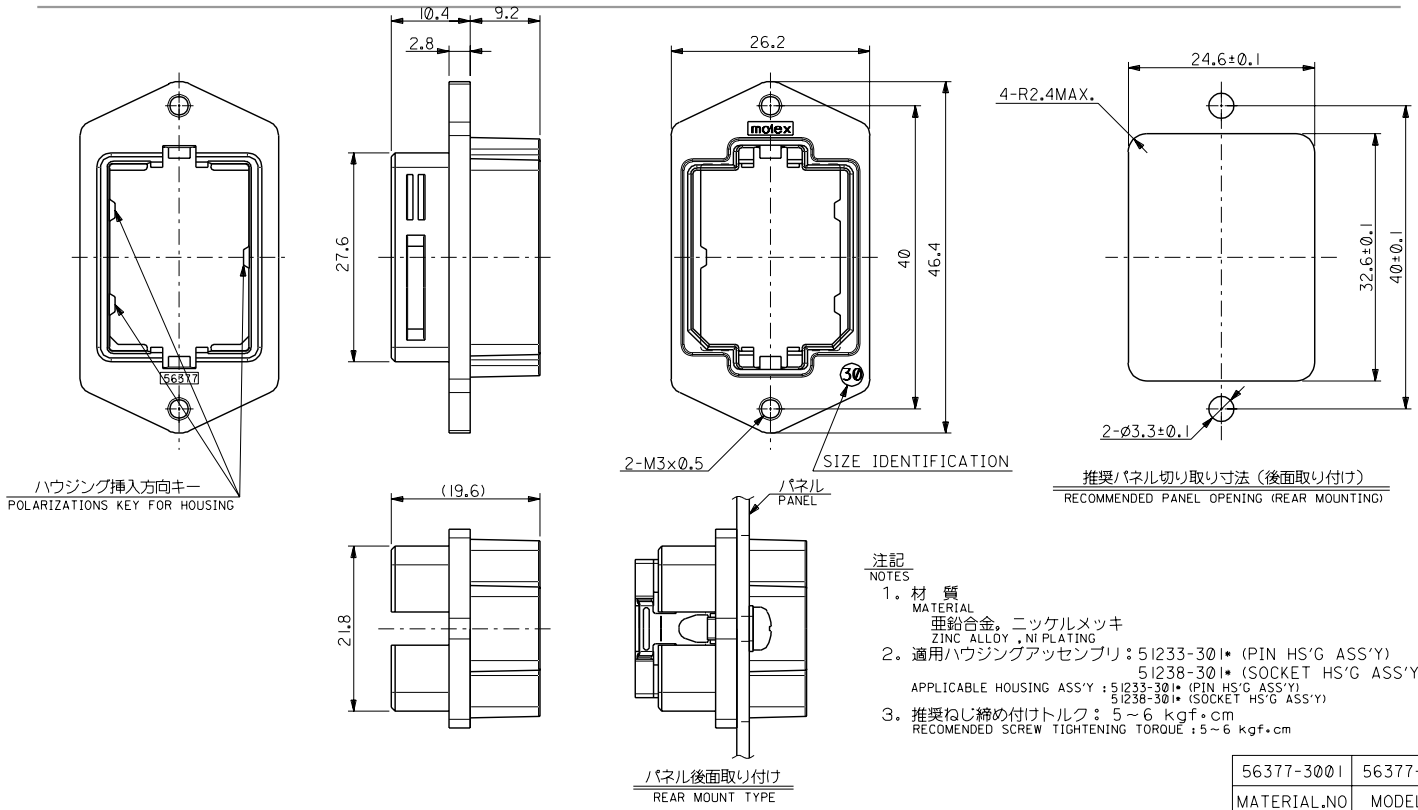
Click to view price, real time Inventory, Delivery & Lifecycle Information:

[Molex Connector Corporation](#)  
[0563773001](#)

For any questions, you can email us directly:

[sales@integrated-circuit.com](mailto:sales@integrated-circuit.com)

DWG. NO. SD-56377-009



DO NOT SCALE DRAWING		EC NO. DRWN: CHK: APPR:		EC NO. DRWN: CHK: APPR:		EC NO. DRWN: CHK: APPR:		REVISED 01/10/17 EC NO. J2002-0932 DRWN: SAKIYAMA CHK: JIMYAZAWA APPR: YUJITO		RELEASED 01/02/09 EC NO. JD2001-1040 DRWN: SAKIYAMA CHK: JIMYAZAWA APPR: HIKE SUGI		MATERIAL 材料		GENERAL TOLERANCES: (UNLESS SPECIFIED) 一般公差		SCALE 2-1		DESIGN UNITS mm INCH		THIRD ANGLE PROJECTION		SHT REV	
						A		0		注記参照 SEE NOTES		FINISH 仕上げ		10 UNDER 未満		±0.2		DRAWN BY & DATE S. Akigawa 01/01/25		TITLE: COMPACT ROBOT CONN. (CRC) RECEPTACLE SHELL		MATERIAL NO. MODEL NO.	
												WIRE RANGE 適用電線範囲		10 OVER 以上		±0.25		CHECKED BY & DATE S. Akigawa 01/01/25		MOLEX INCORPORATED		MATERIAL NO. DRAWING NO.	
												ANGLE 角度		30 UNDER 未満		±0.3		APPROVED BY & DATE S. Akigawa		MATERIAL NO. DRAWING NO.		SHEET NO. 1 OF 1	
												INS. RANGE 挿入外径		30 OVER 以上		±3°		CAD FILE NAME 56377009.S01		MATERIAL NO. DRAWING NO.		SIZE B	
																		THIS DRAWING CONTAINS INFORMATION THAT IS PROPRIETARY TO MOLEX INCORPORATED AND SHOULD NOT BE USED WITHOUT WRITTEN PERMISSION.		EN-02J(097) MXJ-54		56377009.S01	