

## Excellent Integrated System Limited

Stocking Distributor

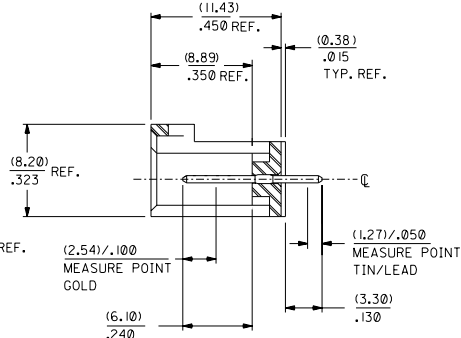
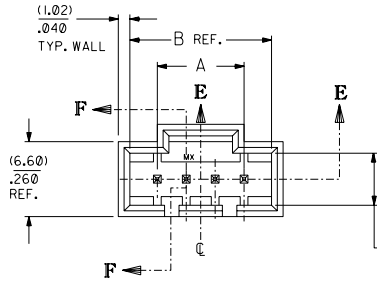
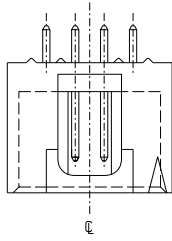
Click to view price, real time Inventory, Delivery & Lifecycle Information:

[Molex Connector Corporation](#)  
[0705630003](#)

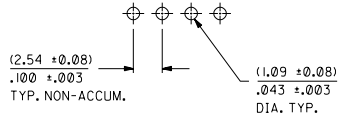
For any questions, you can email us directly:

[sales@integrated-circuit.com](mailto:sales@integrated-circuit.com)

OPTION "C"



SECTION F-F



RECOMMENDED P.C. BOARD LAYOUT  
(FOR USE WITH (1.57)/.062 THICK BOARD)

NOTES

- 1) MATERIAL: G.F. THERMOPLASTIC, 94V-0, COLOR-BLACK.
- 2) HEADER TO BE USED WITH NO. 70004 INTERIM CLIP, VERSION "A".
- 3) REFER TO PRODUCT SPEC: P.S.-70541.
- 4) STANDARD PACKAGING PER PK-70873-0016. OPTIONAL PACKAGING MAY BE AVAILABLE. (SEE DRAWING PK-70563-\*\*\*\* FOR ORDER NUMBERS)

\*THE PRIMARY SHIPPING CARTON WILL BE LABELED "COMPLIANT TO RoHS DIRECTIVE 2002/95/EC AND ELV ANNEX II OF DIRECTIVE 2000/53/EC". CARTONS WITHOUT THIS LABEL MAY CONTAIN PRODUCT WITH LEAD.

PLATING PER E.S.-88-\*\*\*

- TIN - .000150 MINIMUM TIN PLATE OVER
- .000050 MINIMUM NICKEL PLATE OVER-ALL.
- 15 GOLD - .000015 MINIMUM GOLD IN SELECT AREA
- .000075 MINIMUM TIN IN SELECT AREA
- .000050 MINIMUM NICKEL PLATE OVER-ALL.
- 30 GOLD - .000030 MINIMUM GOLD IN SELECT AREA
- .000075 MINIMUM TIN IN SELECT AREA
- .000050 MINIMUM NICKEL PLATE OVER-ALL.

2	B
1	B
MFG	SKL
REV.	REV.

DIMENSIONS SHOWN (METRIC) INCH UNLESS OTHERWISE SPECIFIED TOLERANCES SHOWN ARE ± 1/100		□ = 0 ▽ = 0 REVISE ONLY ON CAD SYSTEM	
B LEAD FREE UCP2004-1769 FWWHITE 04/03/25		TITLE SALES ASSEMBLY HEADER - STRAIGHT MOUNT .100 CENTERS	
A RELEASED U30638 2/13/25 MGB		MOLEX INCORPORATED SHEET NO. DATE 1 OF 2 05/13/93	
LTR. REVISIONS LTR. REVISIONS		PART NO. DRWG. NO. SDA-70563-****	
DRG. AAB CHK'D. AAB		FILE NAME S70563X1	
APP'D. WAZ SCALE 4 : 1		THIS DRAWING CONTAINS INFORMATION THAT IS PROPRIETARY TO MOLEX INC. AND SHOULD NOT BE USED WITHOUT WRITTEN PERMISSION. DA C	

CKT. SIZE	"A"		"B" REF.	
	MM	IN.	MM	IN.
4	7.62	.300	12.45	.490
5	10.16	.400	14.99	.590
6	12.70	.500	17.53	.690
7	15.24	.600	20.07	.790
8	17.78	.700	22.61	.890
9	20.32	.800	25.15	.990
10	22.86	.900	27.69	1.090
11	25.40	1.000	30.23	1.190
12	27.94	1.100	32.77	1.290
13	30.48	1.200	35.31	1.390
14	33.02	1.300	37.85	1.490
15	35.56	1.400	40.39	1.590
16	38.10	1.500	42.93	1.690
17	40.64	1.600	45.47	1.790
18	43.18	1.700	48.01	1.890
19	45.72	1.800	50.55	1.990
20	48.26	1.900	53.09	2.090
21	50.80	2.000	55.63	2.190
22	53.34	2.100	58.17	2.290
23	55.88	2.200	60.71	2.390
24	58.42	2.300	63.25	2.490
25	60.96	2.400	65.79	2.590



# Distributor of Molex Connector Corporation: Excellent Integrated System Limited

Datasheet of 0705630003 - CONN HEADER VERT GOLD 4POS

Contact us: sales@integrated-circuit.com Website: www.integrated-circuit.com

ENGINEERING NUMBER A-70563-	MANUFACTURE RELEASE STATUS	70563			P.C. BOARD END PLATING		
		TYPE	H MEAS.	K MEAS.	TYPE	K MEAS.	
-0003-0024	R.F.M.	15 GOLD	(2.54) .100	(1.27) .050	TIN	(1.27) .050	
-0038-0059	R.F.M.	TIN	(2.54) .100	(1.27) .050	TIN	(1.27) .050	
-0073-0094							
-0108-0129	R.F.M.	30 GOLD	(2.54) .100	(1.27) .050	TIN	(1.27) .050	

CKTS	EDP NUMBER	ENG NUMBER	EDP NUMBER	ENG NUMBER	EDP NUMBER	ENG NUMBER	EDP NUMBER	ENG NUMBER	EDP NUMBER	ENG NUMBER	EDP NUMBER	ENG NUMBER	EDP NUMBER	ENG NUMBER	CKTS
02	N.A.	N.A.	N.A.	N.A.	N.A.	N.A.	N.A.	N.A.	N.A.	N.A.	N.A.	N.A.	N.A.	N.A.	02
03	N.A.	N.A.	N.A.	N.A.	N.A.	N.A.	N.A.	N.A.	N.A.	N.A.	N.A.	N.A.	N.A.	N.A.	03
04	705-63-0003	A-70563-0003	705-63-0038	A-70563-0038	A-70563-0073	705-63-0108	A-70563-0108								04
05	705-63-0004	A-70563-0004	705-63-0039	A-70563-0039	A-70563-0074	705-63-0109	A-70563-0109								05
06	705-63-0005	A-70563-0005	705-63-0040	A-70563-0040	A-70563-0075	705-63-0110	A-70563-0110								06
07	705-63-0006	A-70563-0006	705-63-0041	A-70563-0041	A-70563-0076	705-63-0111	A-70563-0111								07
08	705-63-0007	A-70563-0007	705-63-0042	A-70563-0042	A-70563-0077	705-63-0112	A-70563-0112								08
09	705-63-0008	A-70563-0008	705-63-0043	A-70563-0043	A-70563-0078	705-63-0113	A-70563-0113								09
10	705-63-0009	A-70563-0009	705-63-0044	A-70563-0044	A-70563-0079	705-63-0114	A-70563-0114								10
11	705-63-0010	A-70563-0010	705-63-0045	A-70563-0045	A-70563-0080	705-63-0115	A-70563-0115								11
12	705-63-0011	A-70563-0011	705-63-0046	A-70563-0046	A-70563-0081	705-63-0116	A-70563-0116								12
13	705-63-0012	A-70563-0012	705-63-0047	A-70563-0047	A-70563-0082	705-63-0117	A-70563-0117								13
14	705-63-0013	A-70563-0013	705-63-0048	A-70563-0048	A-70563-0083	705-63-0118	A-70563-0118								14
15	705-63-0014	A-70563-0014	705-63-0049	A-70563-0049	A-70563-0084	705-63-0119	A-70563-0119								15
16	705-63-0015	A-70563-0015	705-63-0050	A-70563-0050	A-70563-0085	705-63-0120	A-70563-0120								16
17	705-63-0016	A-70563-0016	705-63-0051	A-70563-0051	A-70563-0086	705-63-0121	A-70563-0121								17
18	705-63-0017	A-70563-0017	705-63-0052	A-70563-0052	A-70563-0087	705-63-0122	A-70563-0122								18
19	705-63-0018	A-70563-0018	705-63-0053	A-70563-0053	A-70563-0088	705-63-0123	A-70563-0123								19
20	705-63-0019	A-70563-0019	705-63-0054	A-70563-0054	A-70563-0089	705-63-0124	A-70563-0124								20
21	705-63-0020	A-70563-0020	705-63-0055	A-70563-0055	A-70563-0090	705-63-0125	A-70563-0125								21
22	705-63-0021	A-70563-0021	705-63-0056	A-70563-0056	A-70563-0091	705-63-0126	A-70563-0126								22
23	705-63-0022	A-70563-0022	705-63-0057	A-70563-0057	A-70563-0092	705-63-0127	A-70563-0127								23
24	705-63-0023	A-70563-0023	705-63-0058	A-70563-0058	A-70563-0093	705-63-0128	A-70563-0128								24
25	705-63-0024	A-70563-0024	705-63-0059	A-70563-0059	A-70563-0094	705-63-0129	A-70563-0129								25

DIMENSIONS SHOWN (METRIC) INCH UNLESS OTHERWISE SPECIFIED TOLERANCES: ANGULAR ± 1/2°		▽ = 0	REVISE ONLY ON CAD SYSTEM												
<table border="1"> <tr><th></th><th>INCH</th><th>METRIC</th></tr> <tr><td>1 PLACE</td><td>± .005</td><td>± .127</td></tr> <tr><td>2 PLACE</td><td>± .001</td><td>± .025</td></tr> <tr><td>3 PLACE</td><td>± .0005</td><td>± .0127</td></tr> </table>			INCH	METRIC	1 PLACE	± .005	± .127	2 PLACE	± .001	± .025	3 PLACE	± .0005	± .0127	SALES ASSEMBLY HEADER - STRAIGHT MOUNT 100 CENTERS	
	INCH	METRIC													
1 PLACE	± .005	± .127													
2 PLACE	± .001	± .025													
3 PLACE	± .0005	± .0127													
MOLEX INCORPORATED		SHEET NO. 2	DATE 05/13/93												
SEE CHART		SDA-70563-***													
FILE NAME 578563X2		THIS DRAWING CONTAINS INFORMATION THAT IS PROPRIETARY TO MOLEX INC. AND SHOULD NOT BE USED WITHOUT WRITTEN PERMISSION. DA													

13	12	11	10	9	8	7	6	5	4	3	2	1
----	----	----	----	---	---	---	---	---	---	---	---	---