



Distributor of Molex Connector Corporation: Excellent Integrated System Limited
Datasheet of 0714120076 - Connector Receptacle 10 Position 0.100" (2.54mm) Gold Surface Mount

Contact us: sales@integrated-circuit.com Website: www.integrated-circuit.com

Excellent Integrated System Limited

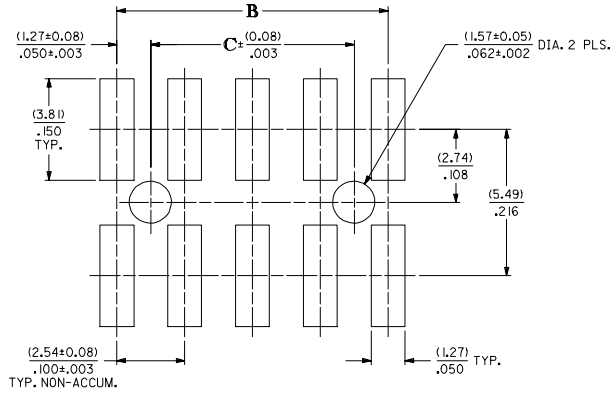
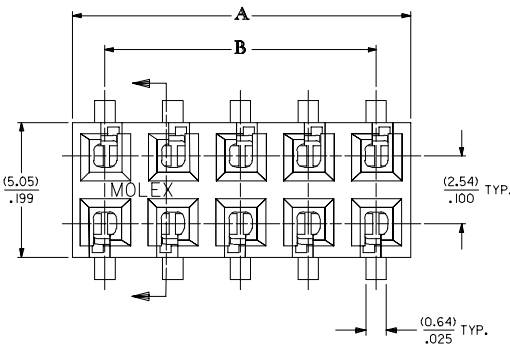
Stocking Distributor

Click to view price, real time Inventory, Delivery & Lifecycle Information:

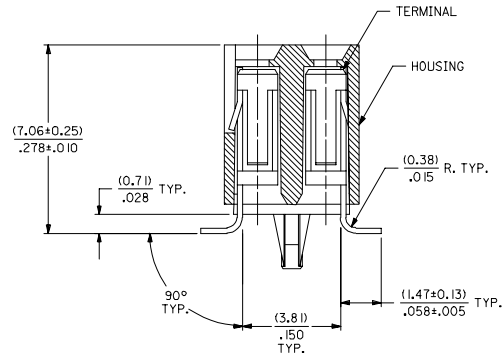
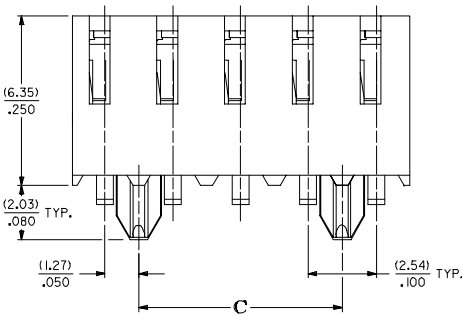
[Molex Connector Corporation](#)
[0714120076](#)

For any questions, you can email us directly:
sales@integrated-circuit.com

Contact us: sales@integrated-circuit.com Website: www.integrated-circuit.com



RECOMMENDED PC BOARD LAYOUT



4	G
3	F
2	F
1	G
SHT	REV

NOTES:

- HOUSING: GLASS-FILLED PCT, UL 94V-0, COLOR: BLACK
- PIN: PHOSPHOR BRONZE, (0.20) / .008 THICK
- REFER TO MOLEX PRODUCT SPECIFICATION PS-70181.
- DIMENSIONS WITHOUT TOLERANCE ARE SHOWN FOR REFERENCE ONLY.
- 10-CIRCUIT PART SHOWN FOR ILLUSTRATION PURPOSES ONLY.

TOOL 71412-2084 EC NO: UCF2006-0627 DRWING BARBA 2005/10/21 CHK BARKER 2005/10/21 APPR MILLER 2005/10/24 G REV	QUALITY SYMBOLS	GENERAL TOLERANCES (UNLESS SPECIFIED)	DIMENSION STYLE	SCALE	DESIGN UNITS	THIRD ANGLE PROJECTION	SALES ASSY. DUAL ROW VERTICAL MOUNT W/PEGS LOW PROFILE SMT MOLEX INCORPORATED MATERIAL NO. SEE TABLE DOCUMENT NO. SDA-71412-0001-5000 SHEET NO. 1 OF 4 THIS DRAWING CONTAINS INFORMATION THAT IS PROPRIETARY TO MOLEX INCORPORATED AND SHOULD NOT BE USED WITHOUT WRITTEN PERMISSION										
	$\nabla=0$ $\nabla=0$	<table border="1"> <tr><th>mm</th><th>INCH</th></tr> <tr><td>4 PLACES ±---</td><td>±---</td></tr> <tr><td>3 PLACES ±---</td><td>±---</td></tr> <tr><td>2 PLACES ±---</td><td>±---</td></tr> <tr><td>1 PLACE ±---</td><td>±---</td></tr> </table>	mm	INCH	4 PLACES ±---	±---		3 PLACES ±---	±---	2 PLACES ±---	±---	1 PLACE ±---	±---	MM/IN	10:1	INCH	
	mm	INCH															
	4 PLACES ±---	±---															
3 PLACES ±---	±---																
2 PLACES ±---	±---																
1 PLACE ±---	±---																
ANGULAR ±1/2°	DRAFT WHERE APPLICABLE MUST REMAIN WITHIN DIMENSIONS	SIZE C															



Distributor of Molex Connector Corporation: Excellent Integrated System Limited
 Datasheet of 0714120076 - Connector Receptacle 10 Position 0.100" (2.54mm) Gold Surface Mount

Contact us: sales@integrated-circuit.com Website: www.integrated-circuit.com

ASSEMBLY WITH PEGS

J	NUMBER OF CIRCUITS		124 PLATING		X81 PLATING		X21 PLATING		DIM. 'A'		DIM. 'B'		DIM. 'C'		J
	PER ROW	TOTAL	ASSEMBLY ITEM NUMBER	PACKAGING PER PK-70873-	ASSEMBLY ITEM NUMBER	PACKAGING PER PK-70873-	ASSEMBLY ITEM NUMBER	PACKAGING PER PK-70873-	INCH	MM	INCH	MM	INCH	MM	
I	4	8	71412-0001	0304	71412-0038	0304	71412-0075	0304	.399	10.13	.300	7.62	.200	5.08	I
I	5	10	71412-0002	0304	71412-0039	0304	71412-0076	0304	.499	12.67	.400	10.16	.300	7.62	I
I	6	12	71412-0003	0304	71412-0040	0304	71412-0077	0304	.599	15.21	.500	12.70	.400	10.16	I
I	7	14	X 71412-0004	0304	71412-0041	0304	71412-0078	0304	.699	17.75	.600	15.24	.500	12.70	I
I	8	16	71412-0005	0304	71412-0042	0304	71412-0079	0304	.799	20.29	.700	17.78	.600	15.24	I
I	9	18	71412-0006	0304	71412-0043	0304	71412-0080	0304	.899	22.83	.800	20.32	.700	17.78	I
I	10	20	71412-0007	0304	71412-0044	0304	71412-0081	0304	.999	25.37	.900	22.86	.800	20.32	I
H	11	22	X 71412-0008	0304	X 71412-0045	0304	X 71412-0082	0304	1.099	27.91	1.000	25.40	.900	22.86	H
H	12	24	X 71412-0009	0304	X 71412-0046	0304	X 71412-0083	0304	1.199	30.45	1.100	27.94	1.000	25.40	H
H	13	26	71412-0010	0304	71412-0047	0304	71412-0084	0304	1.299	32.99	1.200	30.48	1.100	27.94	H
H	14	28	X 71412-0011	0304	X 71412-0048	0304	X 71412-0085	0304	1.399	35.53	1.300	33.02	1.200	30.48	H
H	15	30	X 71412-0012	0304	X 71412-0049	0304	X 71412-0086	0304	1.499	38.07	1.400	35.56	1.300	33.02	H
H	16	32	71412-0013	0304	71412-0050	0304	71412-0087	0304	1.599	40.61	1.500	38.10	1.400	35.56	H
H	17	34	71412-0014	0304	71412-0051	0304	71412-0088	0304	1.699	43.15	1.600	40.64	1.500	38.10	H
H	18	36	X 71412-0015	0304	X 71412-0052	0304	X 71412-0089	0304	1.799	45.69	1.700	43.18	1.600	40.64	H
G	19	38	X 71412-0016	0304	X 71412-0053	0304	X 71412-0090	0304	1.899	48.23	1.800	45.72	1.700	43.18	G
G	20	40	71412-0017	0304	71412-0054	0304	71412-0091	0304	1.999	50.77	1.900	48.26	1.800	45.72	G
G	21	42	X 71412-0018	0304	X 71412-0055	0304	X 71412-0092	0304	2.099	53.31	2.000	50.80	1.900	48.26	G
G	22	44	X 71412-0019	0304	X 71412-0056	0304	X 71412-0093	0304	2.199	55.85	2.100	53.34	2.000	50.80	G
G	23	46	X 71412-0020	0304	X 71412-0057	0304	X 71412-0094	0304	2.299	58.39	2.200	55.88	2.100	53.34	G
G	24	48	X 71412-0021	0304	X 71412-0058	0304	X 71412-0095	0304	2.399	60.93	2.300	58.42	2.200	55.88	G
F	25	50	X 71412-0022	0304	X 71412-0059	0304	X 71412-0096	0304	2.499	63.47	2.400	60.96	2.300	55.88	F
F	26	52	X 71412-0023	0304	X 71412-0060	0304	X 71412-0097	0304	2.599	66.01	2.500	63.50	2.400	60.96	F
F	27	54	X 71412-0024	0304	X 71412-0061	0304	X 71412-0098	0304	2.699	68.55	2.600	66.04	2.500	63.50	F
F	28	56	X 71412-0025	0304	X 71412-0062	0304	X 71412-0099	0304	2.799	71.09	2.700	68.58	2.600	66.04	F
F	29	58	X 71412-0026	0304	X 71412-0063	0304	X 71412-0100	0304	2.899	73.63	2.800	71.12	2.700	68.58	F
F	30	60	X 71412-0027	0304	X 71412-0064	0304	X 71412-0101	0304	2.999	76.17	2.900	73.66	2.800	71.12	F
E	31	62	X 71412-0028	0304	X 71412-0065	0304	X 71412-0102	0304	3.099	78.71	3.000	76.20	2.900	73.66	E
E	32	64	X 71412-0029	0304	X 71412-0066	0304	X 71412-0103	0304	3.199	81.25	3.100	78.74	3.000	76.20	E
E	33	66	X 71412-0030	0304	X 71412-0067	0304	X 71412-0104	0304	3.299	83.79	3.200	81.28	3.100	78.74	E
E	34	68	X 71412-0031	0304	X 71412-0068	0304	X 71412-0105	0304	3.399	86.33	3.300	83.82	3.200	81.28	E
E	35	70	X 71412-0032	0304	X 71412-0069	0304	X 71412-0106	0304	3.499	88.87	3.400	86.36	3.300	83.82	E
E	36	72	X 71412-0033	0304	X 71412-0070	0304	X 71412-0107	0304	3.599	91.41	3.500	88.90	3.400	86.36	E
D	37	74	X 71412-0034	0304	X 71412-0071	0304	X 71412-0108	0304	3.699	93.95	3.600	91.44	3.500	88.90	D
D	38	76	X 71412-0035	0304	X 71412-0072	0304	X 71412-0109	0304	3.799	96.49	3.700	93.98	3.600	91.44	D
D	39	78	X 71412-0036	0304	X 71412-0073	0304	X 71412-0110	0304	3.899	99.03	3.800	96.52	3.700	93.98	D
D	40	80	71412-0037	0304	71412-0074	0304	71412-0111	0304	3.999	101.57	3.900	99.06	3.800	96.52	D

*X' UNDER 'ITEM NUMBER' COLUMN DENOTES TOOLING NOT AVAILABLE

PLATING PER ES-88:

124 - 3.81 MICROMETER(150 MICROINCH) MINIMUM TIN PLATE IN SELECT AREA, OVER 1.27 MICROMETER(50 MICROINCH) MINIMUM NICKEL UNDERPLATE.

X21 - .75 MICROMETER(30 MICROINCH) MINIMUM GOLD PLATE IN SELECT AREA, 1.91 MICROMETER(75 MICROINCH) MINIMUM TIN PLATE IN SELECT AREA, OVER 1.27 MICROMETER(50 MICROINCH) MINIMUM NICKEL UNDERPLATE.

X81 - .38 MICROMETER(15 MICROINCH) MINIMUM GOLD PLATE IN SELECT AREA, 1.91 MICROMETER(75 MICROINCH) MINIMUM TIN PLATE IN SELECT AREA, OVER 1.27 MICROMETER(50 MICROINCH) MINIMUM NICKEL UNDERPLATE.

TOOL -0041-0078 EC NO: UCP2005-2802 DRAWING BARBA 2005/07/11 CH KUDIRJAN 2005/07/12 APPROX MILLER 2005/07/19 REV DESCRIPTION	QUALITY SYMBOLS	GENERAL TOLERANCES (UNLESS SPECIFIED)	DIMENSION STYLE	SCALE	DESIGN UNITS	THIRD ANGLE PROJECTION	
	▽=0	mm INCH	MM/IN	---	INCH	☉	
	▽=0	4 PLACES ±--- ±--- 3 PLACES ±--- ±--- 2 PLACES ±--- ±--- 1 PLACE ±--- ±---	DRAWN BY DATE SMR 94/12/08 CHECKED BY DATE SMR 94/12/08 APPROVED BY DATE	TITLE	SALES ASSEMBLY, DUAL ROW VERTICAL MOUNT, W/PEGS LOW PROFILE SMT		
	ANGULAR ±1/2°	DRAFT WHERE APPLICABLE MUST REMAIN WITHIN DIMENSIONS	MATERIAL NO. SEE TABLE	DOCUMENT NO. SDA-71412-0001-5000	MOLEX INCORPORATED		
						SHEET NO. 3 OF 4	
						THIS DRAWING CONTAINS INFORMATION THAT IS PROPRIETARY TO MOLEX INCORPORATED AND SHOULD NOT BE USED WITHOUT WRITTEN PERMISSION	