

Excellent Integrated System Limited

Stocking Distributor

Click to view price, real time Inventory, Delivery & Lifecycle Information:

[Molex Connector Corporation](#)
[0731010190](#)

For any questions, you can email us directly:

sales@integrated-circuit.com

MATERIALS AND FINISHES

- BODY ZINC ALLOY
PLATED NICKEL
- CENTER CONTACT PHOSPHOR BRONZE
PLATED GOLD
- INSULATOR POLYPROPYLENE (94V0)

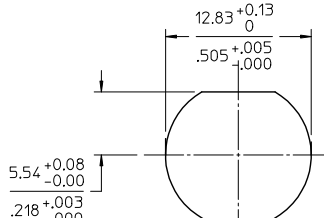
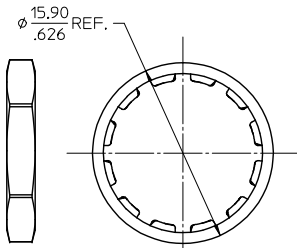
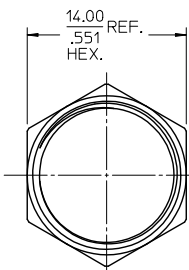
- BOARD LOCK PHOSPHOR BRONZE
PLATED TIN

- SOLDER TAIL COPPER
PLATED TIN

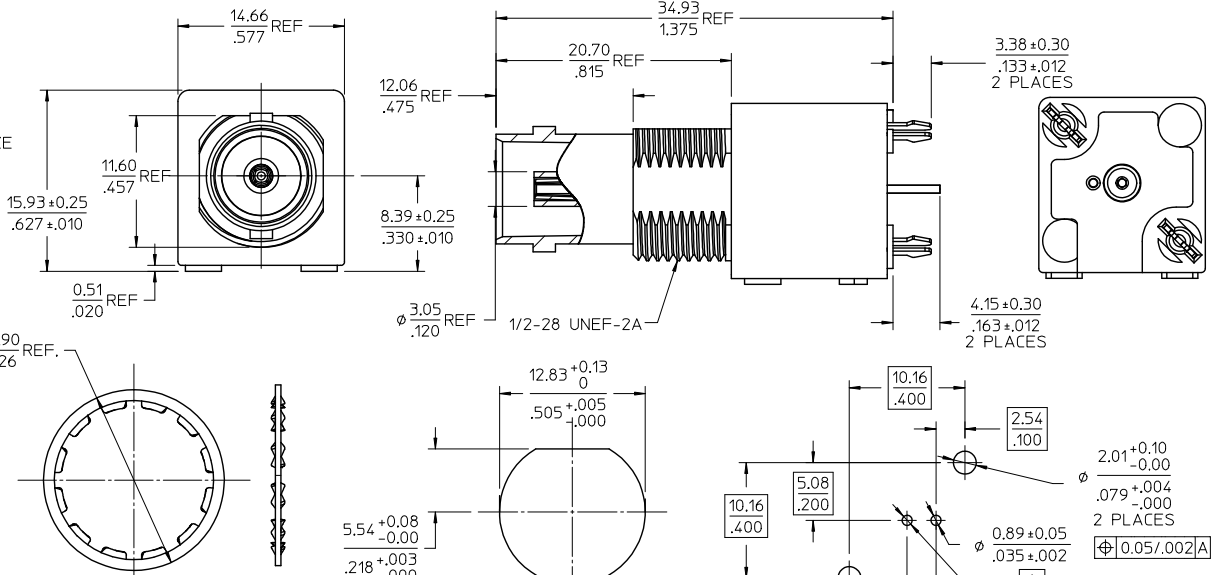
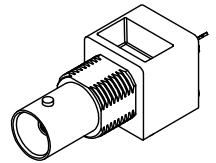
- LOCK WASHER PHOSPHOR BRONZE
PLATED NICKEL

- NUT BRASS
PLATED NICKEL

PACKAGING: BY TRAY



LEADS ARE TO BE ADJUSTED TO FIT PCB PATTERN



RECOMMENDED MOUNTING HOLE
MAXIMUM PANEL THICKNESS 5.40(.213)
RECOMMENDED MOUNTING TORQUE:
1.36 N-m(12 INCH-LBS)

RECOMMENDED PCB HOLE CONFIGURATION

PART # 73101-0190

PS-73598-0051	PRODUCT SPECIFICATION
SPECIFICATION	DESCRIPTION

CUG: ADDED PKG PER RP-15-E286 EC NO: UNF-2016-0101 DRWING: MEI 02 CHKD: APPR: Y. CHENG A2	QUALITY SYMBOLS ∇=0 ∇=0 ∇=0	GENERAL TOLERANCES (UNLESS SPECIFIED)		DIMENSION STYLE		SCALE	DESIGN UNITS	THIRD ANGLE PROJECTION	
		mm	INCH	MM/IN					
		4 PLACES ±	---	DRAWN BY	DATE	TITLE			
		3 PLACES ±	---	CHECKED BY	DATE	BNC JACK, VERTICAL PCB, DIE CAST, 75 OHMS WITH WASHER, NUT BNC-J/PCB			
2 PLACES ±	---	APPROVED BY	DATE	MATERIAL NO.		DOCUMENT NO.	SHEET NO.		
1 PLACE ±	---			731010190		SD-73101-019	1 OF 1		
0 PLACE ±	---	ANGULAR ± 2°		THIS DRAWING CONTAINS INFORMATION THAT IS PROPRIETARY TO MOLEX INCORPORATED AND SHOULD NOT BE USED WITHOUT WRITTEN PERMISSION					
DRAFT WHERE APPLICABLE MUST REMAIN WITHIN DIMENSIONS		SIZE C							