

Excellent Integrated System Limited

Stocking Distributor

Click to view price, real time Inventory, Delivery & Lifecycle Information:

[Molex Connector Corporation](#)
[0731045003](#)

For any questions, you can email us directly:
sales@integrated-circuit.com

CABLE ATTACHMENTS :

- INNER CONTACT ATTACHMENT--- SOLDER/CRIMP (HEX 1.69)
- OUTER CONDUCTOR--- CRIMP (HEX 5.41)
- ASSEMBLY INSTRUCTION--- AS-73597-0032

CONSTRUCTIONS :

- COUPLING NUT---ZINC ALLOY
- CONNECTOR BODY---BRASS
- DIELECTRIC---POLYPROPYLENE
- OUTER CONTACT---BRASS
- CENTER CONTACT---BRASS
- SPRING WASHER---BERYLLIUM COPPER
- RETAINING RING---BRASS
- WASHER---BRASS
- GASKET---SILICONE RUBBER

FINISHES :

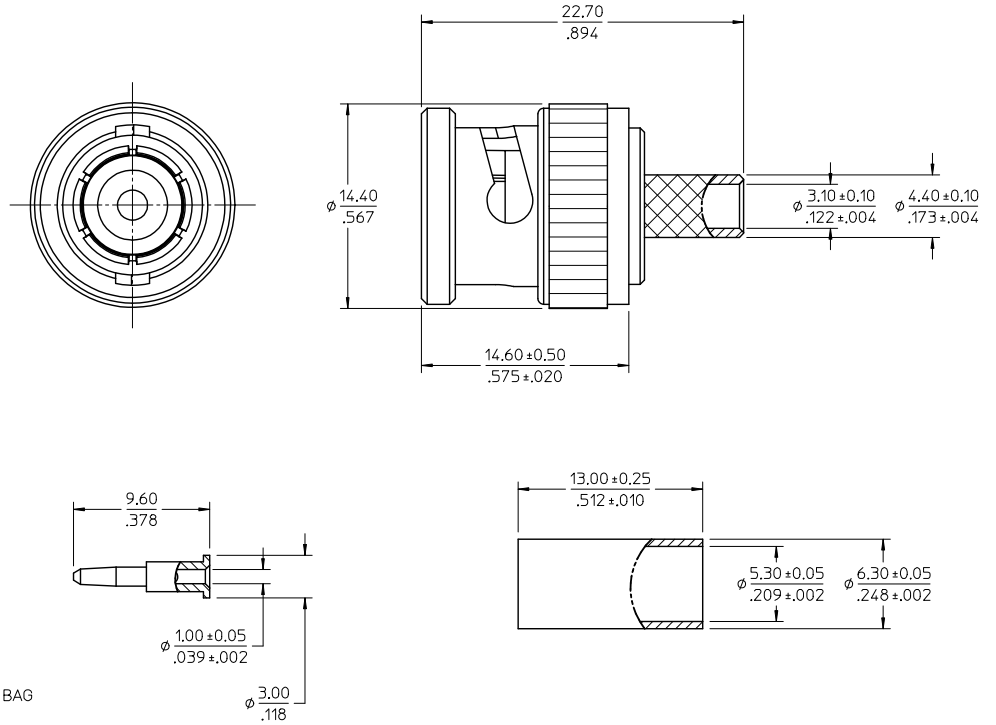
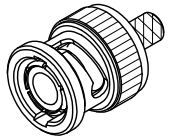
- COUPLING NUT--- PLATED NICKEL
- CONNECTOR BODY---PLATED NICKEL
- OUTER CONTACT---PLATED NICKEL
- CENTER CONTACT---PLATED GOLD
- SPRING WASHER---PLATED NICKEL
- RETAINING RING---PLATED NICKEL
- WASHER---PLATED NICKEL

MECHANICAL & ELECTRICAL CHARACTERISTICS :
PER PRODUCT SPECIFICATION PS-73598-0024

MATERIALS & FINISHES :
PER PRODUCT SPECIFICATION PS-73598-0024

PACKAGING : BY TRAY

P/N: 73171-3120 SINGLE ASSEMBLY 73104-5003 PER BAG



CHG: PKG BY TRAY PER: PFS-E342 EC NO: URF2016-0265 DRWNO: ME102 2015/10/07 CHKD: APPR: Y.CHENG REV:	QUALITY SYMBOLS	GENERAL TOLERANCES (UNLESS SPECIFIED)	DIMENSION STYLE	SCALE	DESIGN UNITS	THIRD ANGLE PROJECTION	
	$\nabla=0$ $\nabla=0$ $\nabla=0$	mm INCH 4 PLACES ± --- ± --- 3 PLACES ± --- ± --- 2 PLACES ± --- ± --- 1 PLACE ± --- ± --- 0 PLACE ± --- ± ---	MM/IN	DRAWN BY DATE IRIS WANG 1991/01/18 CHECKED BY DATE APPROVED BY DATE MHUANG 2010/07/22	METRIC	TITLE BNC PLUG STRAIGHT RG58/.141, CRIMP/CRIMP BNC-PC molex	SHEET NO. 1 OF 1
	ANGULAR ± --- ° DRAFT WHERE APPLICABLE MUST REMAIN WITHIN DIMENSIONS	MATERIAL NO. 731045003	DOCUMENT NO. SD-73104-5003	THIS DRAWING CONTAINS INFORMATION THAT IS PROPRIETARY TO MOLEX INCORPORATED AND SHOULD NOT BE USED WITHOUT WRITTEN PERMISSION			
	REV			SIZE C			