

## **Excellent Integrated System Limited**

Stocking Distributor

Click to view price, real time Inventory, Delivery & Lifecycle Information:

[Molex Connector Corporation](#)  
[0731711190](#)

For any questions, you can email us directly:  
[sales@integrated-circuit.com](mailto:sales@integrated-circuit.com)

**MATERIALS AND FINISHES**

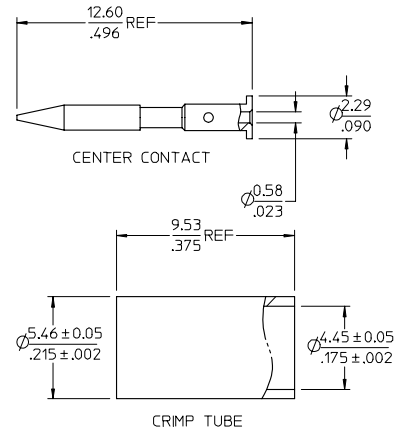
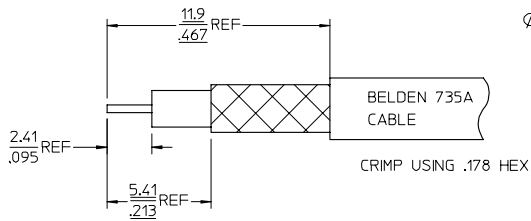
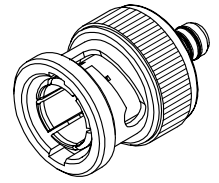
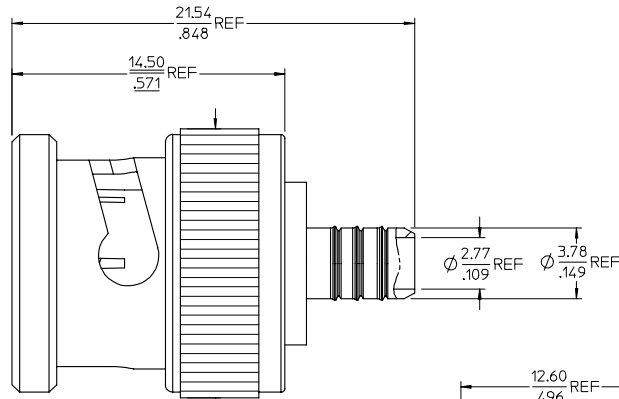
BODY BRASS  
PLATED NICKEL (70 MICRONS MIN)

CENTER CONTACT BRASS  
PLATED GOLD (30 MICRONS MIN)

INSULATOR TEFLON

COUPLING NUT: ZINC  
PLATED; NICKEL (70 MICRONS MIN)

CRIMP TUBE: BRASS  
PLATED; NICKEL (100 MICRONS MIN)



PART # 73171-1190

SAME AS 73171-1310  
WITHOUT SLEEVE

AS-89678-7900	CABLE ASSEMBLY INSTR.
MIL-STD-348A, FIG. 301.1	INTERFACE
SPECIFICATION	DESCRIPTION

CHG. UPDATED BORDER IEC NO. URF2007-0995 DRW: TELAHARTY 2006/11/06 CHK: KOSHAH 2006/11/06 APPR: JMWENER 2006/11/06 C3	QUALITY SYMBOLS ▽=0 ▽=0	GENERAL TOLERANCES (UNLESS SPECIFIED)	DIMENSION STYLE MM/IN	SCALE	DESIGN UNITS METRIC	THIRD ANGLE PROJECTION																	
		<table border="1"> <thead> <tr> <th></th> <th>mm</th> <th>INCH</th> </tr> </thead> <tbody> <tr> <td>4 PLACES</td> <td>± .005</td> <td>± .0005</td> </tr> <tr> <td>3 PLACES</td> <td>± .005</td> <td>± .0005</td> </tr> <tr> <td>2 PLACES</td> <td>± .005</td> <td>± .0005</td> </tr> <tr> <td>1 PLACE</td> <td>± .005</td> <td>± .0005</td> </tr> </tbody> </table> ANGULAR ± 2°		mm	INCH	4 PLACES	± .005	± .0005	3 PLACES	± .005	± .0005	2 PLACES	± .005	± .0005	1 PLACE	± .005	± .0005	DRAWN BY TEF 2001/06/29	CHECKED BY SSS 2001/06/29	APPROVED BY GMH 2001/06/29	TITLE BNC PLUG, STRAIGHT, 75 OHM FOR 735A CABLE BNC-PC	MOLEX INCORPORATED	MATERIAL NO. 731711190
	mm	INCH																					
4 PLACES	± .005	± .0005																					
3 PLACES	± .005	± .0005																					
2 PLACES	± .005	± .0005																					
1 PLACE	± .005	± .0005																					
DRAFT WHERE APPLICABLE MUST REMAIN WITHIN DIMENSIONS		THIS DRAWING CONTAINS INFORMATION THAT IS PROPRIETARY TO MOLEX INCORPORATED AND SHOULD NOT BE USED WITHOUT WRITTEN PERMISSION																					