

Excellent Integrated System Limited

Stocking Distributor

Click to view price, real time Inventory, Delivery & Lifecycle Information:

[Molex Connector Corporation](#)
[0731711640](#)

For any questions, you can email us directly:

sales@integrated-circuit.com

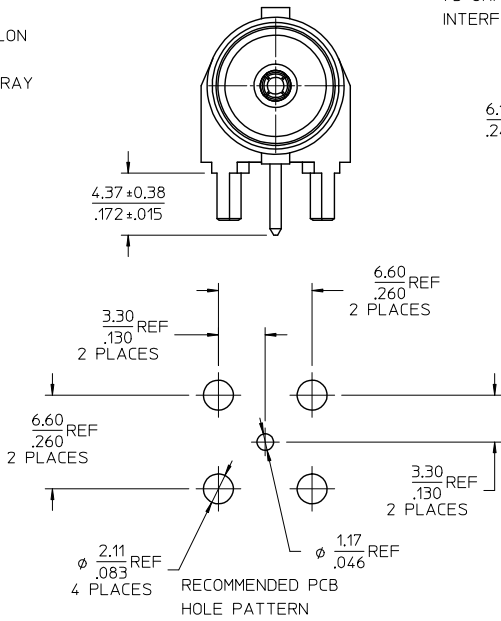
MATERIALS AND FINISHES

BODY ZINC
PLATED SEE TABLE

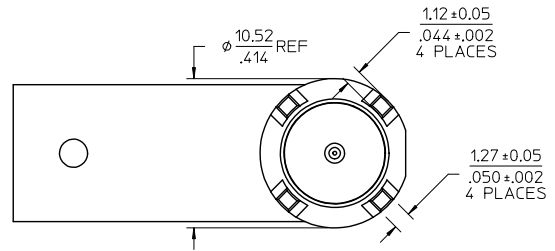
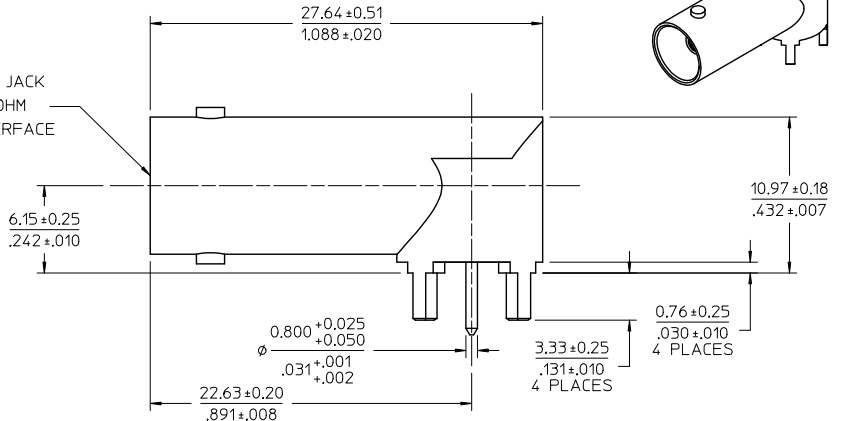
CENTER CONTACT PHOSPHOR BRONZE
PLATED GOLD OVER NICKEL

INSULATOR TEFLON

PACKAGING: BY TRAY



BNC JACK
75 OHM
INTERFACE



73171-1641	NICKEL
73171-1640	BRIGHT TIN OVER NICKEL
PART NO.	PLATING

PS-89675-2020	PRODUCT SPECIFICATION
SPECIFICATION	DESCRIPTION

CHG: ADDED PKG PER: PPS-EZ77 EC NO: URF2016-0091 DRAWING NO: 201508006 CHKD: CHENG APPR: CHENG 20150807 DESCRIPTION REV: A4	QUALITY SYMBOLS	GENERAL TOLERANCES (UNLESS SPECIFIED)	DIMENSION STYLE	SCALE	DESIGN UNITS	THIRD ANGLE PROJECTION
	▽=0	mm INCH	MM/IN	METRIC	MM/IN	PROJECTION
	▽=0	4 PLACES ± --- ± ---	SSS	20011/10/18	TITLE	BNC JACK R/A PCB
	▽=0	3 PLACES ± --- ± ---	CHECKED BY	DATE	75 OHMS 3GHZ	BNC-J/RA/PCB EWR-1520
		2 PLACES ± --- ± ---	TEF	20011/10/18		
		1 PLACE ± --- ± ---	APPROVED BY	DATE		
		0 PLACE ± --- ± ---	GMH	20011/10/18		
		ANGULAR ± 2 °	MATERIAL NO.	DOCUMENT NO.		
		DRAFT WHERE APPLICABLE MUST REMAIN WITHIN DIMENSIONS	SEE TABLE	SD-73171-164		
			SIZE	THIS DRAWING CONTAINS INFORMATION THAT IS PROPRIETARY TO MOLEX INCORPORATED AND SHOULD NOT BE USED WITHOUT WRITTEN PERMISSION		