

## Excellent Integrated System Limited

Stocking Distributor

Click to view price, real time Inventory, Delivery & Lifecycle Information:

[Molex Connector Corporation](#)  
[0894360000](#)

For any questions, you can email us directly:

[sales@integrated-circuit.com](mailto:sales@integrated-circuit.com)

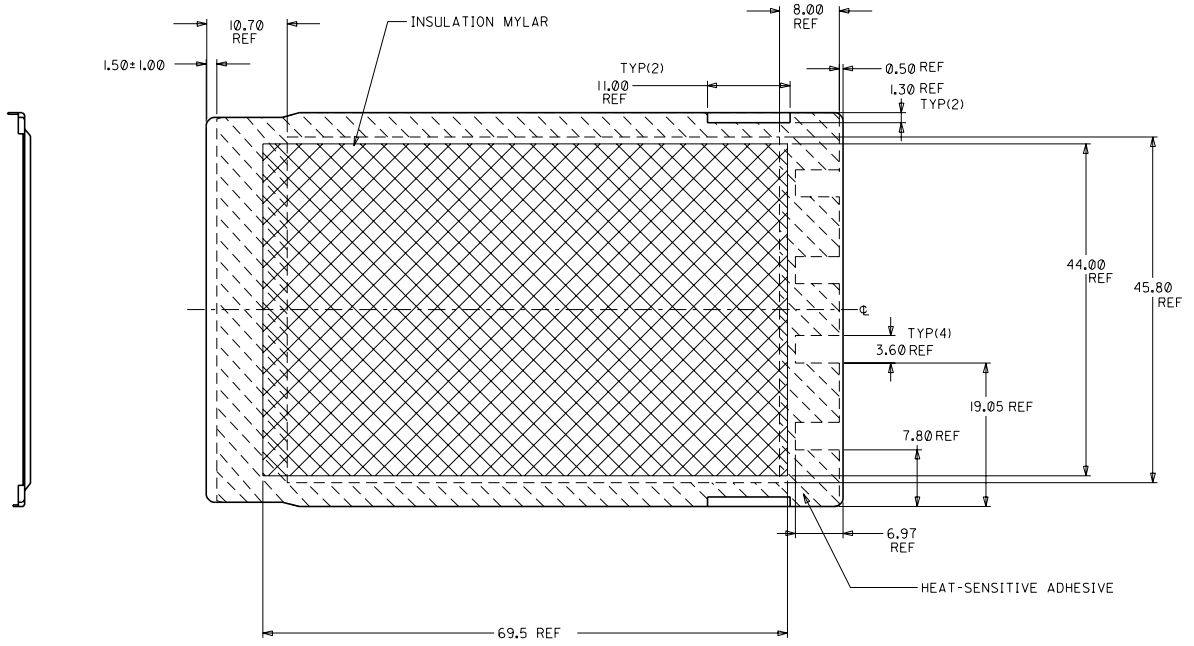
ENG. NO SDE-89436-00\*\*

EDP NO.

SIMILAR ITEM

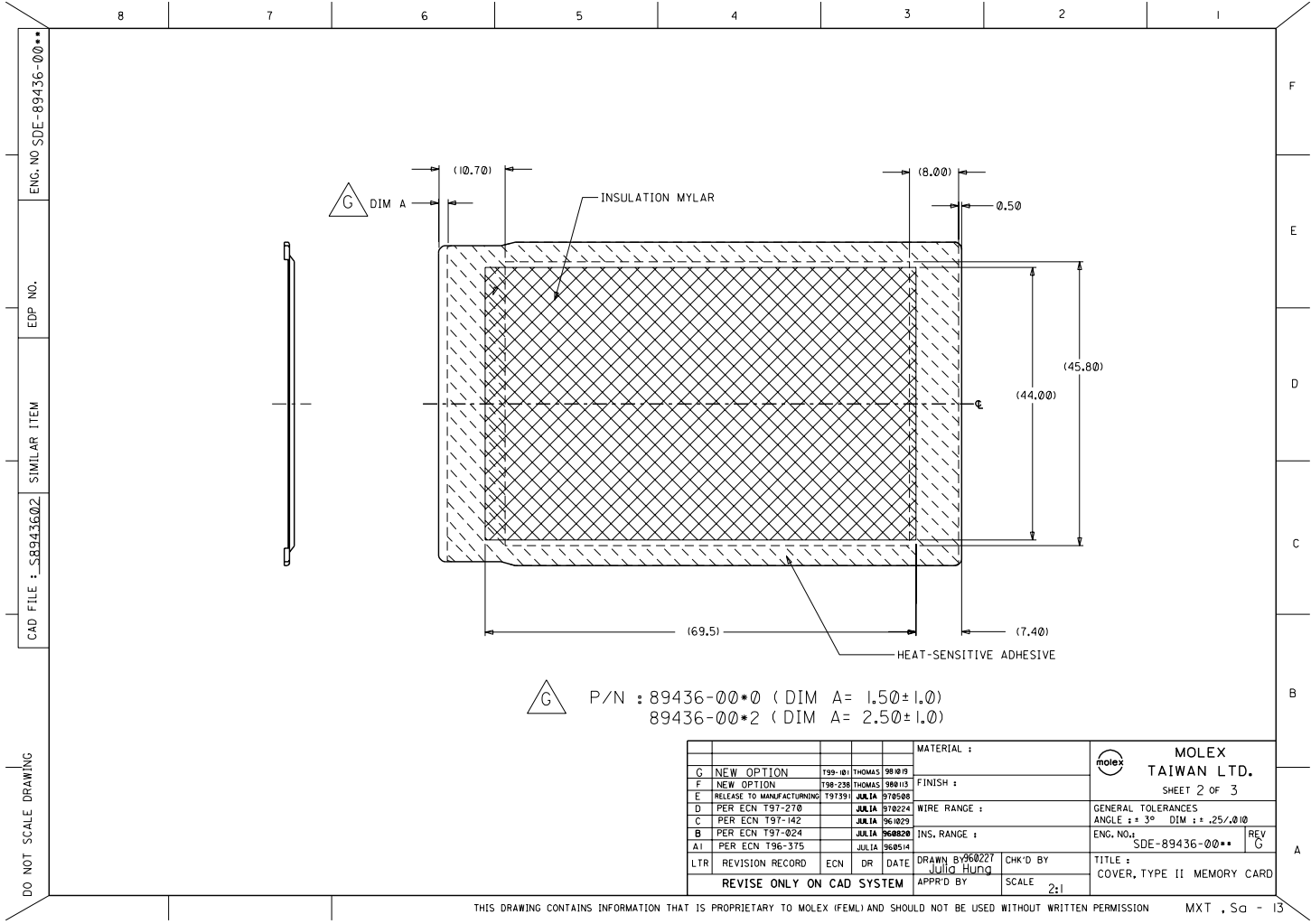
CAD FILE : \_S8943600

DO NOT SCALE DRAWING



P/N : 89436-00\*1  
( ADHESIVE TAPE CUT OUT FOR I5P SHIELDED I/O )

				MATERIAL :		<b>MOLEX TAIWAN LTD.</b> SHEET 3 OF 3	
				FINISH :			
				WIRE RANGE :		GENERAL TOLERANCES ANGLE ± 3° DIM ± .25/-.010	
				INS. RANGE :		ENG. NO. : SDE-89436-00** REV A	
A	NEW OPTION	198-236	THOMAS	980113	DRAWN BY: 980113 THOMAS CHANG		CHK'D BY:
LTR	REVISION RECORD	ECN	DR	DATE	APPR'D BY:		SCALE 2:1
<b>REVISE ONLY ON CAD SYSTEM</b>							
						TITLE : COVER, TYPE II MEMORY CARD	



△ G P/N : 89436-00\*0 ( DIM A= 1.50±1.0 )  
89436-00\*2 ( DIM A= 2.50±1.0 )

				MATERIAL :		MOLEX TAIWAN LTD. SHEET 2 OF 3	
G	NEW OPTION	T99-10	THOMAS	98-079	FINISH :		GENERAL TOLERANCES ANGLE ± 3° DIM ± .25/0.10
F	NEW OPTION	T98-238	THOMAS	98-013			
E	RELEASE TO MANUFACTURING	T9735	JULIA	970508	WIRE RANGE :		ENC. NO.:
D	PER ECN T97-270		JULIA	970224	INS. RANGE :		SDE-89436-00**
C	PER ECN T97-142		JULIA	96-1029			REV
B	PER ECN T97-024		JULIA	960820			G
A1	PER ECN T96-375		JULIA	960514			
LTR	REVISION RECORD	ECN	DR	DATE	DRAWN BY	CHK'D BY	TITLE :
REVISE ONLY ON CAD SYSTEM				APPR'D BY	SCALE	2:1	COVER, TYPE II MEMORY CARD

DO NOT SCALE DRAWING

ENG. NO. SDE-89436-00\*\*  
EDP NO.  
SIMILAR ITEM  
CAD FILE : \_S8943602