

Excellent Integrated System Limited

Stocking Distributor

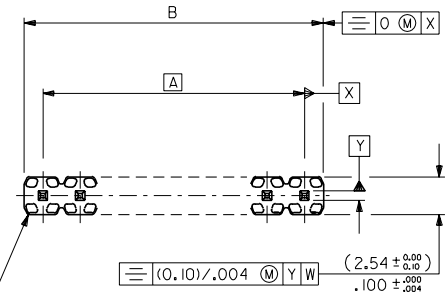
Click to view price, real time Inventory, Delivery & Lifecycle Information:

[Molex Connector Corporation](#)
[0906270761](#)

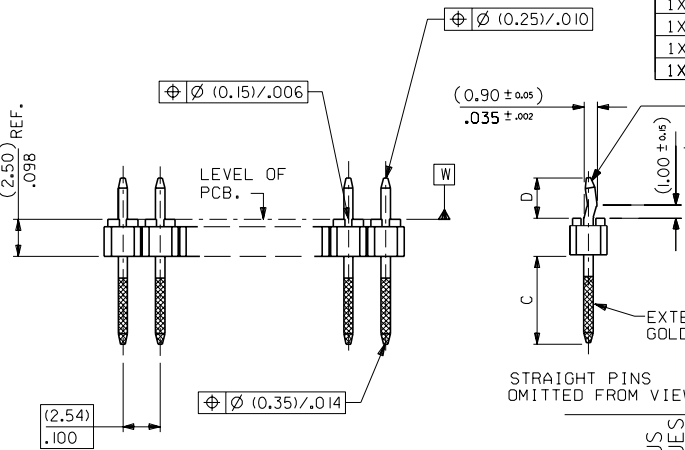
For any questions, you can email us directly:

sales@integrated-circuit.com

PART NO. SEE CHART
DWG. NO. SDA-90627

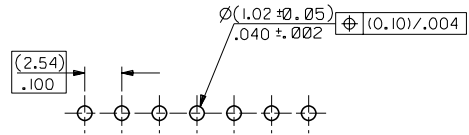


| CKT SIZE | DIM. "A" | | DIM. "B" (+0.20) ±.008 | | CKT SIZE | DIM. "A" | | DIM. "B" (+0.20) ±.008 | |
|----------|----------|-------|------------------------|-------|----------|----------|-------|------------------------|-------|
| 1X 1 | | | (2.54) | .100 | 1X21 | (50.80) | 2.000 | (53.34) | 2.100 |
| 1X 2 | (2.54) | .100 | (5.08) | .200 | 1X22 | (53.34) | 2.100 | (55.88) | 2.200 |
| 1X 3 | (5.08) | .200 | (7.62) | .300 | 1X23 | (55.88) | 2.200 | (58.42) | 2.300 |
| 1X 4 | (7.62) | .300 | (10.16) | .400 | 1X24 | (58.42) | 2.300 | (60.96) | 2.400 |
| 1X 5 | (10.16) | .400 | (12.70) | .500 | 1X25 | (60.96) | 2.400 | (63.50) | 2.500 |
| 1X 6 | (12.70) | .500 | (15.24) | .600 | 1X26 | (63.50) | 2.500 | (66.04) | 2.600 |
| 1X 7 | (15.24) | .600 | (17.78) | .700 | 1X27 | (66.04) | 2.600 | (68.58) | 2.700 |
| 1X 8 | (17.78) | .700 | (20.32) | .800 | 1X28 | (68.58) | 2.700 | (71.12) | 2.800 |
| 1X 9 | (20.32) | .800 | (22.86) | .900 | 1X29 | (71.12) | 2.800 | (73.66) | 2.900 |
| 1X10 | (22.86) | .900 | (25.40) | 1.000 | 1X30 | (73.66) | 2.900 | (76.20) | 3.000 |
| 1X11 | (25.40) | 1.000 | (27.94) | 1.100 | 1X31 | (76.20) | 3.000 | (78.74) | 3.100 |
| 1X12 | (27.94) | 1.100 | (30.48) | 1.200 | 1X32 | (78.74) | 3.100 | (81.28) | 3.200 |
| 1X13 | (30.48) | 1.200 | (33.02) | 1.300 | 1X33 | (81.28) | 3.200 | (83.82) | 3.300 |
| 1X14 | (33.02) | 1.300 | (35.56) | 1.400 | 1X34 | (83.82) | 3.300 | (86.36) | 3.400 |
| 1X15 | (35.56) | 1.400 | (38.10) | 1.500 | 1X35 | (86.36) | 3.400 | (88.90) | 3.500 |
| 1X16 | (38.10) | 1.500 | (40.64) | 1.600 | 1X36 | (88.90) | 3.500 | (91.44) | 3.600 |
| 1X17 | (40.64) | 1.600 | (43.18) | 1.700 | 1X37 | (91.44) | 3.600 | (93.98) | 3.700 |
| 1X18 | (43.18) | 1.700 | (45.72) | 1.800 | 1X38 | (93.98) | 3.700 | (96.52) | 3.800 |
| 1X19 | (45.72) | 1.800 | (48.26) | 1.900 | 1X39 | (96.52) | 3.800 | (99.06) | 3.900 |
| 1X20 | (48.26) | 1.900 | (50.80) | 2.000 | 1X40 | (99.06) | 3.900 | (101.60) | 4.000 |



PINS: (0.635)/.025 SQ. BRASS WIRE. PLATED AS PER SUBSEQUENT SHEETS

NOTES
1. FOR ASSY NUMBERS WITH FINISH OPTIONS AND DIM'S C & D SEE SUBSEQUENT SHEETS.
2. PCB THICKNESS: (1.37-1.80)/.054-.071.



RECOMMENDED P.C. BOARD HOLE PATTERN

| | |
|---|----------|
| 2 | B |
| 1 | B |
| | SH. REV. |

OPPOSING KINKS VIEW SHOWS 1 X 2 CCT ONLY



FOR PREVIOUS DRAWING ISSUES SEE MRI.

NEW RELEASE ECN 000166 10 SEPTEMBER 1990 RD

| | |
|--|--|
| DIMENSIONS SHOWN (METRIC) INCH | |
| UNLESS OTHERWISE SPECIFIED TOLERANCES: ANGULAR ± 1° | |
| INCH (METRIC) | |
| 3 PLACE # | ---- |
| 2 PLACE # | ± .10 |
| 1 PLACE # | ± .25 |
| DRAFT WHERE APPLICABLE MUST REMAIN WITHIN DIMENSIONS | |
| DESIGN DIMENSION (PRIMARY) | <input type="checkbox"/> (MM) <input type="checkbox"/> IN. |
| EQUIVALENT DIMENSION (SECONDARY) | <input type="checkbox"/> (MM) <input type="checkbox"/> IN. |

DRWG BY RD
CHK'D BY
APP'D BY
SCALE 4:1

| | |
|---|---|
| REVISE ONLY ON CAD SYSTEM | |
| CAD/CAM FILENAME SDA90627X1 DGN | THIS DRAWING CONTAINS INFORMATION THAT IS PROPRIETARY TO MOLEX INC. & SHOULD NOT BE USED WITHOUT WRITTEN PERMISSION |
| TITLE C-GRID III SINGLE ROW KINKED PIN HEADER | |
| MOLEX EUROPE | SHEET NO. DATE 10F2 90/11/28 |
| PART NO. SEE CHART | DWG. NO. SDA-90627 |
| | SIZE B |

| | 10 | 9 | 8 | 7 | 6 | 5 | 4 | 3 | 2 | 1 | | | | | | | | | | | | | | | | | | | | | | | | | | | | | | | | | | | | | | | | | | | | | | | | | | | | | | | | | | | | | | | | | | | | | | | | | | | | | | | | | | | | | | | | | | | | | | | | | | | | | | | | | | | | | | | | | | | | | | | | | | | | | | | | | | | | | | | | | | | | | | | | | | | | | | | | | | | | | | | | | | | | | | | | | | | | | | | | | | | | | | | | | | | | | | | | | | | | | | | | | | | | | |
|--------------|---|---|---|---|---|---|---|---|---|---|----------------------------|----------------------------|----------------------------|----------------------------|---------------------|-------|------------|------------|------------|---|-------|------------|------------|------------|------------|-------|------------|------------|------------|---|-------|--------|--------|--------|---|-------|-------|-------|-------|---|-------|-------|-------|-------|---|-------|-------|-------|-------|---|-------|-------|-------|-------|---|-------|-------|-------|-------|---|--------|-------|-------|-------|---|--------|-------|-------|-------|----------|--------|-------|-------|-------|----------|--------|-------|-------|-------|----------|--------|-------|-------|-------|----------|--------|-------|-------|-------|----------|--------|-------|-------|-------|----------|--------|-------|-------|-------|----------|--------|-------|-------|-------|----------|--------|-------|-------|-------|-----------|--------|-------|-------|-------|-----------|--------|-------|-------|-------|-----------|--------|-------|-------|-------|-----------|--------|-------|-------|-------|-----------|--------|-------|-------|-------|-----------|--------|-------|-------|-------|-----------|--------|-------|-------|-------|-----------|--------|-------|-------|-------|-----------|--------|-------|-------|-------|-----------|--------|-------|-------|-------|-----------|--------|-------|-------|-------|-----------|--------|-------|-------|-------|-----------|--------|-------|-------|-------|-----------|--------|-------|-------|-------|-----------|--------|-------|-------|-------|-----------|--------|-------|-------|-------|-----------|--------|-------|-------|-------|-----------|--------|-------|-------|-------|-----------|--------|-------|-------|-------|-----------|--------|--------|--------|--------|-----------|--------|------------|------------|------------|-----------|
| F | <table border="1" style="width:100%; border-collapse: collapse;"> <thead> <tr> <th style="width: 10%;">CIRCUIT SIZE</th> <th style="width: 15%;">PLATING TYPE A PART NO.</th> <th style="width: 15%;">PLATING TYPE E PART NO.</th> <th style="width: 15%;">PLATING TYPE F PART NO.</th> <th style="width: 45%;">KINKED P1N POSITION</th> </tr> </thead> <tbody> <tr><td>1 X 1</td><td>90627-0121</td><td>90627-0761</td><td>90627-0921</td><td>橫</td></tr> <tr><td>1 X 2</td><td>90628-0121</td><td>90628-0761</td><td>90628-0921</td><td>SEE NOTE 1</td></tr> <tr><td>1 X 3</td><td>90627-0123</td><td>90627-0763</td><td>90627-0923</td><td>橫</td></tr> <tr><td>1 X 4</td><td>↑-0124</td><td>↑-0764</td><td>↑-0924</td><td>橫</td></tr> <tr><td>1 X 5</td><td>-0125</td><td>-0765</td><td>-0925</td><td>橫</td></tr> <tr><td>1 X 6</td><td>-0126</td><td>-0766</td><td>-0926</td><td>橫</td></tr> <tr><td>1 X 7</td><td>-0127</td><td>-0767</td><td>-0927</td><td>橫</td></tr> <tr><td>1 X 8</td><td>-0128</td><td>-0768</td><td>-0928</td><td>橫</td></tr> <tr><td>1 X 9</td><td>-0129</td><td>-0769</td><td>-0929</td><td>橫</td></tr> <tr><td>1 X 10</td><td>-0130</td><td>-0770</td><td>-0930</td><td>橫</td></tr> <tr><td>1 X 11</td><td>-0131</td><td>-0771</td><td>-0931</td><td>1.6 & 11</td></tr> <tr><td>1 X 12</td><td>-0132</td><td>-0772</td><td>-0932</td><td>1.6 & 12</td></tr> <tr><td>1 X 13</td><td>-0133</td><td>-0773</td><td>-0933</td><td>1.7 & 13</td></tr> <tr><td>1 X 14</td><td>-0134</td><td>-0774</td><td>-0934</td><td>1.7 & 14</td></tr> <tr><td>1 X 15</td><td>-0135</td><td>-0775</td><td>-0935</td><td>1.8 & 15</td></tr> <tr><td>1 X 16</td><td>-0136</td><td>-0776</td><td>-0936</td><td>1.8 & 16</td></tr> <tr><td>1 X 17</td><td>-0137</td><td>-0777</td><td>-0937</td><td>1.9 & 17</td></tr> <tr><td>1 X 18</td><td>-0138</td><td>-0778</td><td>-0938</td><td>1.9 & 18</td></tr> <tr><td>1 X 19</td><td>-0139</td><td>-0779</td><td>-0939</td><td>1.10 & 19</td></tr> <tr><td>1 X 20</td><td>-0140</td><td>-0780</td><td>-0940</td><td>1.10 & 20</td></tr> <tr><td>1 X 21</td><td>-0141</td><td>-0781</td><td>-0941</td><td>1.11 & 21</td></tr> <tr><td>1 X 22</td><td>-0142</td><td>-0782</td><td>-0942</td><td>1.11 & 22</td></tr> <tr><td>1 X 23</td><td>-0143</td><td>-0783</td><td>-0943</td><td>1.12 & 23</td></tr> <tr><td>1 X 24</td><td>-0144</td><td>-0784</td><td>-0944</td><td>1.12 & 24</td></tr> <tr><td>1 X 25</td><td>-0145</td><td>-0785</td><td>-0945</td><td>1.13 & 25</td></tr> <tr><td>1 X 26</td><td>-0146</td><td>-0786</td><td>-0946</td><td>1.13 & 26</td></tr> <tr><td>1 X 27</td><td>-0147</td><td>-0787</td><td>-0947</td><td>1.14 & 27</td></tr> <tr><td>1 X 28</td><td>-0148</td><td>-0788</td><td>-0948</td><td>1.14 & 28</td></tr> <tr><td>1 X 29</td><td>-0149</td><td>-0789</td><td>-0949</td><td>1.15 & 29</td></tr> <tr><td>1 X 30</td><td>-0150</td><td>-0790</td><td>-0950</td><td>1.15 & 30</td></tr> <tr><td>1 X 31</td><td>-0151</td><td>-0791</td><td>-0951</td><td>1.16 & 31</td></tr> <tr><td>1 X 32</td><td>-0152</td><td>-0792</td><td>-0952</td><td>1.16 & 32</td></tr> <tr><td>1 X 33</td><td>-0153</td><td>-0793</td><td>-0953</td><td>1.17 & 33</td></tr> <tr><td>1 X 34</td><td>-0154</td><td>-0794</td><td>-0954</td><td>1.17 & 34</td></tr> <tr><td>1 X 35</td><td>-0155</td><td>-0795</td><td>-0955</td><td>1.18 & 35</td></tr> <tr><td>1 X 36</td><td>-0156</td><td>-0796</td><td>-0956</td><td>1.18 & 36</td></tr> <tr><td>1 X 37</td><td>-0157</td><td>-0797</td><td>-0957</td><td>1.19 & 37</td></tr> <tr><td>1 X 38</td><td>-0158</td><td>-0798</td><td>-0958</td><td>1.19 & 38</td></tr> <tr><td>1 X 39</td><td>↓-0159</td><td>↓-0799</td><td>↓-0959</td><td>1.20 & 39</td></tr> <tr><td>1 X 40</td><td>90627-0160</td><td>90627-0800</td><td>90627-0960</td><td>1.20 & 40</td></tr> </tbody> </table> | | | | | | | | | | CIRCUIT SIZE | PLATING TYPE A PART NO. | PLATING TYPE E PART NO. | PLATING TYPE F PART NO. | KINKED P1N POSITION | 1 X 1 | 90627-0121 | 90627-0761 | 90627-0921 | 橫 | 1 X 2 | 90628-0121 | 90628-0761 | 90628-0921 | SEE NOTE 1 | 1 X 3 | 90627-0123 | 90627-0763 | 90627-0923 | 橫 | 1 X 4 | ↑-0124 | ↑-0764 | ↑-0924 | 橫 | 1 X 5 | -0125 | -0765 | -0925 | 橫 | 1 X 6 | -0126 | -0766 | -0926 | 橫 | 1 X 7 | -0127 | -0767 | -0927 | 橫 | 1 X 8 | -0128 | -0768 | -0928 | 橫 | 1 X 9 | -0129 | -0769 | -0929 | 橫 | 1 X 10 | -0130 | -0770 | -0930 | 橫 | 1 X 11 | -0131 | -0771 | -0931 | 1.6 & 11 | 1 X 12 | -0132 | -0772 | -0932 | 1.6 & 12 | 1 X 13 | -0133 | -0773 | -0933 | 1.7 & 13 | 1 X 14 | -0134 | -0774 | -0934 | 1.7 & 14 | 1 X 15 | -0135 | -0775 | -0935 | 1.8 & 15 | 1 X 16 | -0136 | -0776 | -0936 | 1.8 & 16 | 1 X 17 | -0137 | -0777 | -0937 | 1.9 & 17 | 1 X 18 | -0138 | -0778 | -0938 | 1.9 & 18 | 1 X 19 | -0139 | -0779 | -0939 | 1.10 & 19 | 1 X 20 | -0140 | -0780 | -0940 | 1.10 & 20 | 1 X 21 | -0141 | -0781 | -0941 | 1.11 & 21 | 1 X 22 | -0142 | -0782 | -0942 | 1.11 & 22 | 1 X 23 | -0143 | -0783 | -0943 | 1.12 & 23 | 1 X 24 | -0144 | -0784 | -0944 | 1.12 & 24 | 1 X 25 | -0145 | -0785 | -0945 | 1.13 & 25 | 1 X 26 | -0146 | -0786 | -0946 | 1.13 & 26 | 1 X 27 | -0147 | -0787 | -0947 | 1.14 & 27 | 1 X 28 | -0148 | -0788 | -0948 | 1.14 & 28 | 1 X 29 | -0149 | -0789 | -0949 | 1.15 & 29 | 1 X 30 | -0150 | -0790 | -0950 | 1.15 & 30 | 1 X 31 | -0151 | -0791 | -0951 | 1.16 & 31 | 1 X 32 | -0152 | -0792 | -0952 | 1.16 & 32 | 1 X 33 | -0153 | -0793 | -0953 | 1.17 & 33 | 1 X 34 | -0154 | -0794 | -0954 | 1.17 & 34 | 1 X 35 | -0155 | -0795 | -0955 | 1.18 & 35 | 1 X 36 | -0156 | -0796 | -0956 | 1.18 & 36 | 1 X 37 | -0157 | -0797 | -0957 | 1.19 & 37 | 1 X 38 | -0158 | -0798 | -0958 | 1.19 & 38 | 1 X 39 | ↓-0159 | ↓-0799 | ↓-0959 | 1.20 & 39 | 1 X 40 | 90627-0160 | 90627-0800 | 90627-0960 | 1.20 & 40 |
| CIRCUIT SIZE | | | | | | | | | | | PLATING TYPE A PART NO. | PLATING TYPE E PART NO. | PLATING TYPE F PART NO. | KINKED P1N POSITION | | | | | | | | | | | | | | | | | | | | | | | | | | | | | | | | | | | | | | | | | | | | | | | | | | | | | | | | | | | | | | | | | | | | | | | | | | | | | | | | | | | | | | | | | | | | | | | | | | | | | | | | | | | | | | | | | | | | | | | | | | | | | | | | | | | | | | | | | | | | | | | | | | | | | | | | | | | | | | | | | | | | | | | | | | | | | | | | | | | | | | | | | | | | | | | | | | | | | | | | | |
| 1 X 1 | | | | | | | | | | | 90627-0121 | 90627-0761 | 90627-0921 | 橫 | | | | | | | | | | | | | | | | | | | | | | | | | | | | | | | | | | | | | | | | | | | | | | | | | | | | | | | | | | | | | | | | | | | | | | | | | | | | | | | | | | | | | | | | | | | | | | | | | | | | | | | | | | | | | | | | | | | | | | | | | | | | | | | | | | | | | | | | | | | | | | | | | | | | | | | | | | | | | | | | | | | | | | | | | | | | | | | | | | | | | | | | | | | | | | | | | | | | | | | | | |
| 1 X 2 | | | | | | | | | | | 90628-0121 | 90628-0761 | 90628-0921 | SEE NOTE 1 | | | | | | | | | | | | | | | | | | | | | | | | | | | | | | | | | | | | | | | | | | | | | | | | | | | | | | | | | | | | | | | | | | | | | | | | | | | | | | | | | | | | | | | | | | | | | | | | | | | | | | | | | | | | | | | | | | | | | | | | | | | | | | | | | | | | | | | | | | | | | | | | | | | | | | | | | | | | | | | | | | | | | | | | | | | | | | | | | | | | | | | | | | | | | | | | | | | | | | | | | |
| 1 X 3 | | | | | | | | | | | 90627-0123 | 90627-0763 | 90627-0923 | 橫 | | | | | | | | | | | | | | | | | | | | | | | | | | | | | | | | | | | | | | | | | | | | | | | | | | | | | | | | | | | | | | | | | | | | | | | | | | | | | | | | | | | | | | | | | | | | | | | | | | | | | | | | | | | | | | | | | | | | | | | | | | | | | | | | | | | | | | | | | | | | | | | | | | | | | | | | | | | | | | | | | | | | | | | | | | | | | | | | | | | | | | | | | | | | | | | | | | | | | | | | | |
| 1 X 4 | | | | | | | | | | | ↑-0124 | ↑-0764 | ↑-0924 | 橫 | | | | | | | | | | | | | | | | | | | | | | | | | | | | | | | | | | | | | | | | | | | | | | | | | | | | | | | | | | | | | | | | | | | | | | | | | | | | | | | | | | | | | | | | | | | | | | | | | | | | | | | | | | | | | | | | | | | | | | | | | | | | | | | | | | | | | | | | | | | | | | | | | | | | | | | | | | | | | | | | | | | | | | | | | | | | | | | | | | | | | | | | | | | | | | | | | | | | | | | | | |
| 1 X 5 | | | | | | | | | | | -0125 | -0765 | -0925 | 橫 | | | | | | | | | | | | | | | | | | | | | | | | | | | | | | | | | | | | | | | | | | | | | | | | | | | | | | | | | | | | | | | | | | | | | | | | | | | | | | | | | | | | | | | | | | | | | | | | | | | | | | | | | | | | | | | | | | | | | | | | | | | | | | | | | | | | | | | | | | | | | | | | | | | | | | | | | | | | | | | | | | | | | | | | | | | | | | | | | | | | | | | | | | | | | | | | | | | | | | | | | |
| 1 X 6 | | | | | | | | | | | -0126 | -0766 | -0926 | 橫 | | | | | | | | | | | | | | | | | | | | | | | | | | | | | | | | | | | | | | | | | | | | | | | | | | | | | | | | | | | | | | | | | | | | | | | | | | | | | | | | | | | | | | | | | | | | | | | | | | | | | | | | | | | | | | | | | | | | | | | | | | | | | | | | | | | | | | | | | | | | | | | | | | | | | | | | | | | | | | | | | | | | | | | | | | | | | | | | | | | | | | | | | | | | | | | | | | | | | | | | | |
| 1 X 7 | | | | | | | | | | | -0127 | -0767 | -0927 | 橫 | | | | | | | | | | | | | | | | | | | | | | | | | | | | | | | | | | | | | | | | | | | | | | | | | | | | | | | | | | | | | | | | | | | | | | | | | | | | | | | | | | | | | | | | | | | | | | | | | | | | | | | | | | | | | | | | | | | | | | | | | | | | | | | | | | | | | | | | | | | | | | | | | | | | | | | | | | | | | | | | | | | | | | | | | | | | | | | | | | | | | | | | | | | | | | | | | | | | | | | | | |
| 1 X 8 | | | | | | | | | | | -0128 | -0768 | -0928 | 橫 | | | | | | | | | | | | | | | | | | | | | | | | | | | | | | | | | | | | | | | | | | | | | | | | | | | | | | | | | | | | | | | | | | | | | | | | | | | | | | | | | | | | | | | | | | | | | | | | | | | | | | | | | | | | | | | | | | | | | | | | | | | | | | | | | | | | | | | | | | | | | | | | | | | | | | | | | | | | | | | | | | | | | | | | | | | | | | | | | | | | | | | | | | | | | | | | | | | | | | | | | |
| 1 X 9 | | | | | | | | | | | -0129 | -0769 | -0929 | 橫 | | | | | | | | | | | | | | | | | | | | | | | | | | | | | | | | | | | | | | | | | | | | | | | | | | | | | | | | | | | | | | | | | | | | | | | | | | | | | | | | | | | | | | | | | | | | | | | | | | | | | | | | | | | | | | | | | | | | | | | | | | | | | | | | | | | | | | | | | | | | | | | | | | | | | | | | | | | | | | | | | | | | | | | | | | | | | | | | | | | | | | | | | | | | | | | | | | | | | | | | | |
| 1 X 10 | | | | | | | | | | | -0130 | -0770 | -0930 | 橫 | | | | | | | | | | | | | | | | | | | | | | | | | | | | | | | | | | | | | | | | | | | | | | | | | | | | | | | | | | | | | | | | | | | | | | | | | | | | | | | | | | | | | | | | | | | | | | | | | | | | | | | | | | | | | | | | | | | | | | | | | | | | | | | | | | | | | | | | | | | | | | | | | | | | | | | | | | | | | | | | | | | | | | | | | | | | | | | | | | | | | | | | | | | | | | | | | | | | | | | | | |
| 1 X 11 | | | | | | | | | | | -0131 | -0771 | -0931 | 1.6 & 11 | | | | | | | | | | | | | | | | | | | | | | | | | | | | | | | | | | | | | | | | | | | | | | | | | | | | | | | | | | | | | | | | | | | | | | | | | | | | | | | | | | | | | | | | | | | | | | | | | | | | | | | | | | | | | | | | | | | | | | | | | | | | | | | | | | | | | | | | | | | | | | | | | | | | | | | | | | | | | | | | | | | | | | | | | | | | | | | | | | | | | | | | | | | | | | | | | | | | | | | | | |
| 1 X 12 | | | | | | | | | | | -0132 | -0772 | -0932 | 1.6 & 12 | | | | | | | | | | | | | | | | | | | | | | | | | | | | | | | | | | | | | | | | | | | | | | | | | | | | | | | | | | | | | | | | | | | | | | | | | | | | | | | | | | | | | | | | | | | | | | | | | | | | | | | | | | | | | | | | | | | | | | | | | | | | | | | | | | | | | | | | | | | | | | | | | | | | | | | | | | | | | | | | | | | | | | | | | | | | | | | | | | | | | | | | | | | | | | | | | | | | | | | | | |
| 1 X 13 | | | | | | | | | | | -0133 | -0773 | -0933 | 1.7 & 13 | | | | | | | | | | | | | | | | | | | | | | | | | | | | | | | | | | | | | | | | | | | | | | | | | | | | | | | | | | | | | | | | | | | | | | | | | | | | | | | | | | | | | | | | | | | | | | | | | | | | | | | | | | | | | | | | | | | | | | | | | | | | | | | | | | | | | | | | | | | | | | | | | | | | | | | | | | | | | | | | | | | | | | | | | | | | | | | | | | | | | | | | | | | | | | | | | | | | | | | | | |
| 1 X 14 | | | | | | | | | | | -0134 | -0774 | -0934 | 1.7 & 14 | | | | | | | | | | | | | | | | | | | | | | | | | | | | | | | | | | | | | | | | | | | | | | | | | | | | | | | | | | | | | | | | | | | | | | | | | | | | | | | | | | | | | | | | | | | | | | | | | | | | | | | | | | | | | | | | | | | | | | | | | | | | | | | | | | | | | | | | | | | | | | | | | | | | | | | | | | | | | | | | | | | | | | | | | | | | | | | | | | | | | | | | | | | | | | | | | | | | | | | | | |
| 1 X 15 | | | | | | | | | | | -0135 | -0775 | -0935 | 1.8 & 15 | | | | | | | | | | | | | | | | | | | | | | | | | | | | | | | | | | | | | | | | | | | | | | | | | | | | | | | | | | | | | | | | | | | | | | | | | | | | | | | | | | | | | | | | | | | | | | | | | | | | | | | | | | | | | | | | | | | | | | | | | | | | | | | | | | | | | | | | | | | | | | | | | | | | | | | | | | | | | | | | | | | | | | | | | | | | | | | | | | | | | | | | | | | | | | | | | | | | | | | | | |
| 1 X 16 | | | | | | | | | | | -0136 | -0776 | -0936 | 1.8 & 16 | | | | | | | | | | | | | | | | | | | | | | | | | | | | | | | | | | | | | | | | | | | | | | | | | | | | | | | | | | | | | | | | | | | | | | | | | | | | | | | | | | | | | | | | | | | | | | | | | | | | | | | | | | | | | | | | | | | | | | | | | | | | | | | | | | | | | | | | | | | | | | | | | | | | | | | | | | | | | | | | | | | | | | | | | | | | | | | | | | | | | | | | | | | | | | | | | | | | | | | | | |
| 1 X 17 | | | | | | | | | | | -0137 | -0777 | -0937 | 1.9 & 17 | | | | | | | | | | | | | | | | | | | | | | | | | | | | | | | | | | | | | | | | | | | | | | | | | | | | | | | | | | | | | | | | | | | | | | | | | | | | | | | | | | | | | | | | | | | | | | | | | | | | | | | | | | | | | | | | | | | | | | | | | | | | | | | | | | | | | | | | | | | | | | | | | | | | | | | | | | | | | | | | | | | | | | | | | | | | | | | | | | | | | | | | | | | | | | | | | | | | | | | | | |
| 1 X 18 | | | | | | | | | | | -0138 | -0778 | -0938 | 1.9 & 18 | | | | | | | | | | | | | | | | | | | | | | | | | | | | | | | | | | | | | | | | | | | | | | | | | | | | | | | | | | | | | | | | | | | | | | | | | | | | | | | | | | | | | | | | | | | | | | | | | | | | | | | | | | | | | | | | | | | | | | | | | | | | | | | | | | | | | | | | | | | | | | | | | | | | | | | | | | | | | | | | | | | | | | | | | | | | | | | | | | | | | | | | | | | | | | | | | | | | | | | | | |
| 1 X 19 | | | | | | | | | | | -0139 | -0779 | -0939 | 1.10 & 19 | | | | | | | | | | | | | | | | | | | | | | | | | | | | | | | | | | | | | | | | | | | | | | | | | | | | | | | | | | | | | | | | | | | | | | | | | | | | | | | | | | | | | | | | | | | | | | | | | | | | | | | | | | | | | | | | | | | | | | | | | | | | | | | | | | | | | | | | | | | | | | | | | | | | | | | | | | | | | | | | | | | | | | | | | | | | | | | | | | | | | | | | | | | | | | | | | | | | | | | | | |
| 1 X 20 | | | | | | | | | | | -0140 | -0780 | -0940 | 1.10 & 20 | | | | | | | | | | | | | | | | | | | | | | | | | | | | | | | | | | | | | | | | | | | | | | | | | | | | | | | | | | | | | | | | | | | | | | | | | | | | | | | | | | | | | | | | | | | | | | | | | | | | | | | | | | | | | | | | | | | | | | | | | | | | | | | | | | | | | | | | | | | | | | | | | | | | | | | | | | | | | | | | | | | | | | | | | | | | | | | | | | | | | | | | | | | | | | | | | | | | | | | | | |
| 1 X 21 | | | | | | | | | | | -0141 | -0781 | -0941 | 1.11 & 21 | | | | | | | | | | | | | | | | | | | | | | | | | | | | | | | | | | | | | | | | | | | | | | | | | | | | | | | | | | | | | | | | | | | | | | | | | | | | | | | | | | | | | | | | | | | | | | | | | | | | | | | | | | | | | | | | | | | | | | | | | | | | | | | | | | | | | | | | | | | | | | | | | | | | | | | | | | | | | | | | | | | | | | | | | | | | | | | | | | | | | | | | | | | | | | | | | | | | | | | | | |
| 1 X 22 | | | | | | | | | | | -0142 | -0782 | -0942 | 1.11 & 22 | | | | | | | | | | | | | | | | | | | | | | | | | | | | | | | | | | | | | | | | | | | | | | | | | | | | | | | | | | | | | | | | | | | | | | | | | | | | | | | | | | | | | | | | | | | | | | | | | | | | | | | | | | | | | | | | | | | | | | | | | | | | | | | | | | | | | | | | | | | | | | | | | | | | | | | | | | | | | | | | | | | | | | | | | | | | | | | | | | | | | | | | | | | | | | | | | | | | | | | | | |
| 1 X 23 | | | | | | | | | | | -0143 | -0783 | -0943 | 1.12 & 23 | | | | | | | | | | | | | | | | | | | | | | | | | | | | | | | | | | | | | | | | | | | | | | | | | | | | | | | | | | | | | | | | | | | | | | | | | | | | | | | | | | | | | | | | | | | | | | | | | | | | | | | | | | | | | | | | | | | | | | | | | | | | | | | | | | | | | | | | | | | | | | | | | | | | | | | | | | | | | | | | | | | | | | | | | | | | | | | | | | | | | | | | | | | | | | | | | | | | | | | | | |
| 1 X 24 | | | | | | | | | | | -0144 | -0784 | -0944 | 1.12 & 24 | | | | | | | | | | | | | | | | | | | | | | | | | | | | | | | | | | | | | | | | | | | | | | | | | | | | | | | | | | | | | | | | | | | | | | | | | | | | | | | | | | | | | | | | | | | | | | | | | | | | | | | | | | | | | | | | | | | | | | | | | | | | | | | | | | | | | | | | | | | | | | | | | | | | | | | | | | | | | | | | | | | | | | | | | | | | | | | | | | | | | | | | | | | | | | | | | | | | | | | | | |
| 1 X 25 | | | | | | | | | | | -0145 | -0785 | -0945 | 1.13 & 25 | | | | | | | | | | | | | | | | | | | | | | | | | | | | | | | | | | | | | | | | | | | | | | | | | | | | | | | | | | | | | | | | | | | | | | | | | | | | | | | | | | | | | | | | | | | | | | | | | | | | | | | | | | | | | | | | | | | | | | | | | | | | | | | | | | | | | | | | | | | | | | | | | | | | | | | | | | | | | | | | | | | | | | | | | | | | | | | | | | | | | | | | | | | | | | | | | | | | | | | | | |
| 1 X 26 | | | | | | | | | | | -0146 | -0786 | -0946 | 1.13 & 26 | | | | | | | | | | | | | | | | | | | | | | | | | | | | | | | | | | | | | | | | | | | | | | | | | | | | | | | | | | | | | | | | | | | | | | | | | | | | | | | | | | | | | | | | | | | | | | | | | | | | | | | | | | | | | | | | | | | | | | | | | | | | | | | | | | | | | | | | | | | | | | | | | | | | | | | | | | | | | | | | | | | | | | | | | | | | | | | | | | | | | | | | | | | | | | | | | | | | | | | | | |
| 1 X 27 | | | | | | | | | | | -0147 | -0787 | -0947 | 1.14 & 27 | | | | | | | | | | | | | | | | | | | | | | | | | | | | | | | | | | | | | | | | | | | | | | | | | | | | | | | | | | | | | | | | | | | | | | | | | | | | | | | | | | | | | | | | | | | | | | | | | | | | | | | | | | | | | | | | | | | | | | | | | | | | | | | | | | | | | | | | | | | | | | | | | | | | | | | | | | | | | | | | | | | | | | | | | | | | | | | | | | | | | | | | | | | | | | | | | | | | | | | | | |
| 1 X 28 | | | | | | | | | | | -0148 | -0788 | -0948 | 1.14 & 28 | | | | | | | | | | | | | | | | | | | | | | | | | | | | | | | | | | | | | | | | | | | | | | | | | | | | | | | | | | | | | | | | | | | | | | | | | | | | | | | | | | | | | | | | | | | | | | | | | | | | | | | | | | | | | | | | | | | | | | | | | | | | | | | | | | | | | | | | | | | | | | | | | | | | | | | | | | | | | | | | | | | | | | | | | | | | | | | | | | | | | | | | | | | | | | | | | | | | | | | | | |
| 1 X 29 | | | | | | | | | | | -0149 | -0789 | -0949 | 1.15 & 29 | | | | | | | | | | | | | | | | | | | | | | | | | | | | | | | | | | | | | | | | | | | | | | | | | | | | | | | | | | | | | | | | | | | | | | | | | | | | | | | | | | | | | | | | | | | | | | | | | | | | | | | | | | | | | | | | | | | | | | | | | | | | | | | | | | | | | | | | | | | | | | | | | | | | | | | | | | | | | | | | | | | | | | | | | | | | | | | | | | | | | | | | | | | | | | | | | | | | | | | | | |
| 1 X 30 | | | | | | | | | | | -0150 | -0790 | -0950 | 1.15 & 30 | | | | | | | | | | | | | | | | | | | | | | | | | | | | | | | | | | | | | | | | | | | | | | | | | | | | | | | | | | | | | | | | | | | | | | | | | | | | | | | | | | | | | | | | | | | | | | | | | | | | | | | | | | | | | | | | | | | | | | | | | | | | | | | | | | | | | | | | | | | | | | | | | | | | | | | | | | | | | | | | | | | | | | | | | | | | | | | | | | | | | | | | | | | | | | | | | | | | | | | | | |
| 1 X 31 | | | | | | | | | | | -0151 | -0791 | -0951 | 1.16 & 31 | | | | | | | | | | | | | | | | | | | | | | | | | | | | | | | | | | | | | | | | | | | | | | | | | | | | | | | | | | | | | | | | | | | | | | | | | | | | | | | | | | | | | | | | | | | | | | | | | | | | | | | | | | | | | | | | | | | | | | | | | | | | | | | | | | | | | | | | | | | | | | | | | | | | | | | | | | | | | | | | | | | | | | | | | | | | | | | | | | | | | | | | | | | | | | | | | | | | | | | | | |
| 1 X 32 | | | | | | | | | | | -0152 | -0792 | -0952 | 1.16 & 32 | | | | | | | | | | | | | | | | | | | | | | | | | | | | | | | | | | | | | | | | | | | | | | | | | | | | | | | | | | | | | | | | | | | | | | | | | | | | | | | | | | | | | | | | | | | | | | | | | | | | | | | | | | | | | | | | | | | | | | | | | | | | | | | | | | | | | | | | | | | | | | | | | | | | | | | | | | | | | | | | | | | | | | | | | | | | | | | | | | | | | | | | | | | | | | | | | | | | | | | | | |
| 1 X 33 | | | | | | | | | | | -0153 | -0793 | -0953 | 1.17 & 33 | | | | | | | | | | | | | | | | | | | | | | | | | | | | | | | | | | | | | | | | | | | | | | | | | | | | | | | | | | | | | | | | | | | | | | | | | | | | | | | | | | | | | | | | | | | | | | | | | | | | | | | | | | | | | | | | | | | | | | | | | | | | | | | | | | | | | | | | | | | | | | | | | | | | | | | | | | | | | | | | | | | | | | | | | | | | | | | | | | | | | | | | | | | | | | | | | | | | | | | | | |
| 1 X 34 | | | | | | | | | | | -0154 | -0794 | -0954 | 1.17 & 34 | | | | | | | | | | | | | | | | | | | | | | | | | | | | | | | | | | | | | | | | | | | | | | | | | | | | | | | | | | | | | | | | | | | | | | | | | | | | | | | | | | | | | | | | | | | | | | | | | | | | | | | | | | | | | | | | | | | | | | | | | | | | | | | | | | | | | | | | | | | | | | | | | | | | | | | | | | | | | | | | | | | | | | | | | | | | | | | | | | | | | | | | | | | | | | | | | | | | | | | | | |
| 1 X 35 | | | | | | | | | | | -0155 | -0795 | -0955 | 1.18 & 35 | | | | | | | | | | | | | | | | | | | | | | | | | | | | | | | | | | | | | | | | | | | | | | | | | | | | | | | | | | | | | | | | | | | | | | | | | | | | | | | | | | | | | | | | | | | | | | | | | | | | | | | | | | | | | | | | | | | | | | | | | | | | | | | | | | | | | | | | | | | | | | | | | | | | | | | | | | | | | | | | | | | | | | | | | | | | | | | | | | | | | | | | | | | | | | | | | | | | | | | | | |
| 1 X 36 | | | | | | | | | | | -0156 | -0796 | -0956 | 1.18 & 36 | | | | | | | | | | | | | | | | | | | | | | | | | | | | | | | | | | | | | | | | | | | | | | | | | | | | | | | | | | | | | | | | | | | | | | | | | | | | | | | | | | | | | | | | | | | | | | | | | | | | | | | | | | | | | | | | | | | | | | | | | | | | | | | | | | | | | | | | | | | | | | | | | | | | | | | | | | | | | | | | | | | | | | | | | | | | | | | | | | | | | | | | | | | | | | | | | | | | | | | | | |
| 1 X 37 | | | | | | | | | | | -0157 | -0797 | -0957 | 1.19 & 37 | | | | | | | | | | | | | | | | | | | | | | | | | | | | | | | | | | | | | | | | | | | | | | | | | | | | | | | | | | | | | | | | | | | | | | | | | | | | | | | | | | | | | | | | | | | | | | | | | | | | | | | | | | | | | | | | | | | | | | | | | | | | | | | | | | | | | | | | | | | | | | | | | | | | | | | | | | | | | | | | | | | | | | | | | | | | | | | | | | | | | | | | | | | | | | | | | | | | | | | | | |
| 1 X 38 | | | | | | | | | | | -0158 | -0798 | -0958 | 1.19 & 38 | | | | | | | | | | | | | | | | | | | | | | | | | | | | | | | | | | | | | | | | | | | | | | | | | | | | | | | | | | | | | | | | | | | | | | | | | | | | | | | | | | | | | | | | | | | | | | | | | | | | | | | | | | | | | | | | | | | | | | | | | | | | | | | | | | | | | | | | | | | | | | | | | | | | | | | | | | | | | | | | | | | | | | | | | | | | | | | | | | | | | | | | | | | | | | | | | | | | | | | | | |
| 1 X 39 | | | | | | | | | | | ↓-0159 | ↓-0799 | ↓-0959 | 1.20 & 39 | | | | | | | | | | | | | | | | | | | | | | | | | | | | | | | | | | | | | | | | | | | | | | | | | | | | | | | | | | | | | | | | | | | | | | | | | | | | | | | | | | | | | | | | | | | | | | | | | | | | | | | | | | | | | | | | | | | | | | | | | | | | | | | | | | | | | | | | | | | | | | | | | | | | | | | | | | | | | | | | | | | | | | | | | | | | | | | | | | | | | | | | | | | | | | | | | | | | | | | | | |
| 1 X 40 | | | | | | | | | | | 90627-0160 | 90627-0800 | 90627-0960 | 1.20 & 40 | | | | | | | | | | | | | | | | | | | | | | | | | | | | | | | | | | | | | | | | | | | | | | | | | | | | | | | | | | | | | | | | | | | | | | | | | | | | | | | | | | | | | | | | | | | | | | | | | | | | | | | | | | | | | | | | | | | | | | | | | | | | | | | | | | | | | | | | | | | | | | | | | | | | | | | | | | | | | | | | | | | | | | | | | | | | | | | | | | | | | | | | | | | | | | | | | | | | | | | | | |
| E | | | | | | | | | | | | | | | | | | | | | | | | | | | | | | | | | | | | | | | | | | | | | | | | | | | | | | | | | | | | | | | | | | | | | | | | | | | | | | | | | | | | | | | | | | | | | | | | | | | | | | | | | | | | | | | | | | | | | | | | | | | | | | | | | | | | | | | | | | | | | | | | | | | | | | | | | | | | | | | | | | | | | | | | | | | | | | | | | | | | | | | | | | | | | | | | | | | | | | | | | | | | | | | | | | | | | | | |
| D | | | | | | | | | | | | | | | | | | | | | | | | | | | | | | | | | | | | | | | | | | | | | | | | | | | | | | | | | | | | | | | | | | | | | | | | | | | | | | | | | | | | | | | | | | | | | | | | | | | | | | | | | | | | | | | | | | | | | | | | | | | | | | | | | | | | | | | | | | | | | | | | | | | | | | | | | | | | | | | | | | | | | | | | | | | | | | | | | | | | | | | | | | | | | | | | | | | | | | | | | | | | | | | | | | | | | | | |
| C | | | | | | | | | | | | | | | | | | | | | | | | | | | | | | | | | | | | | | | | | | | | | | | | | | | | | | | | | | | | | | | | | | | | | | | | | | | | | | | | | | | | | | | | | | | | | | | | | | | | | | | | | | | | | | | | | | | | | | | | | | | | | | | | | | | | | | | | | | | | | | | | | | | | | | | | | | | | | | | | | | | | | | | | | | | | | | | | | | | | | | | | | | | | | | | | | | | | | | | | | | | | | | | | | | | | | | | |
| B | | | | | | | | | | | | | | | | | | | | | | | | | | | | | | | | | | | | | | | | | | | | | | | | | | | | | | | | | | | | | | | | | | | | | | | | | | | | | | | | | | | | | | | | | | | | | | | | | | | | | | | | | | | | | | | | | | | | | | | | | | | | | | | | | | | | | | | | | | | | | | | | | | | | | | | | | | | | | | | | | | | | | | | | | | | | | | | | | | | | | | | | | | | | | | | | | | | | | | | | | | | | | | | | | | | | | | | |
| A | | | | | | | | | | | | | | | | | | | | | | | | | | | | | | | | | | | | | | | | | | | | | | | | | | | | | | | | | | | | | | | | | | | | | | | | | | | | | | | | | | | | | | | | | | | | | | | | | | | | | | | | | | | | | | | | | | | | | | | | | | | | | | | | | | | | | | | | | | | | | | | | | | | | | | | | | | | | | | | | | | | | | | | | | | | | | | | | | | | | | | | | | | | | | | | | | | | | | | | | | | | | | | | | | | | | | | | |

PART NO. SEE CHART
 DWG NO. SDA-90627

DIM C
 (+0.25)
 (-0.00)
 (6.75)
 .266

DIM D
 (+0.30)
 (-0.00)
 (2.90)
 .114

NOTES:
 1. SEE SHEET 1 FOR KINK DETAIL.
 2. FOR PLATING VARIATIONS SEE ENG.STD. SDES-99000-0003.

FOR PREVIOUS DRAWING ISSUES SEE MRI.

B SEE SHEET 1.

| | | | | | | |
|---|----------------------------------|--|------------|---------------------------|--|----------------|
| DIMENSIONS SHOWN (METRIC) INCH UNLESS OTHERWISE SPECIFIED TOLERANCES: ANGULAR ± 1° | INCH | (METRIC) | DIMG BY RD | REVISE ONLY ON CAD SYSTEM | | SH. REV. |
| | 3 PLACE ± . | ± | | CHK'D BY | TITLE C-GRID III SINGLE ROW KINKED PIN HEADER | |
| DRAFT WHERE APPLICABLE MUST REMAIN WITHIN DIMENSIONS | DESIGN DIMENSION | <input checked="" type="checkbox"/> (MM) | APP'D BY | MOLEX EUROPE | | SHEET NO. DATE |
| | EQUIVALENT DIMENSION (SECONDARY) | <input type="checkbox"/> (MM) | | SCALE | 20F | 90/08/11 |
| | | | | PART NO. SEE CHART | DWG NO. SDA-90627 | |