

## Excellent Integrated System Limited

Stocking Distributor

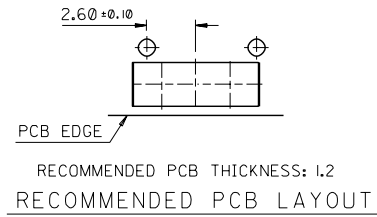
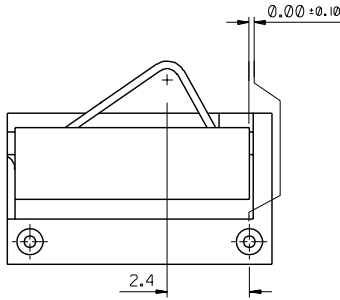
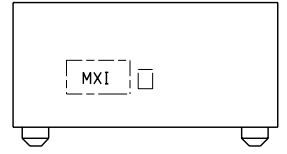
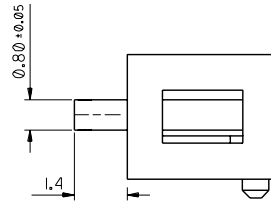
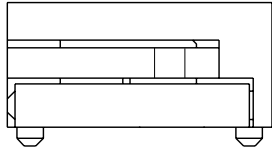
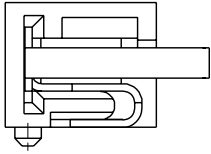
Click to view price, real time Inventory, Delivery & Lifecycle Information:

[Molex Connector Corporation](#)  
[0908680003](#)

For any questions, you can email us directly:

[sales@integrated-circuit.com](mailto:sales@integrated-circuit.com)

PART NO. 90868-0003  
 DWG. NO. SDA-90868E



NOTES:

- FOR ALL UNSTATED DIMENSIONS SEE SHEET 1.
- MATERIALS:  
 HOUSING: 30% G.F. PA 46, COLOUR BLACK.  
 CONTACT: 0.20 REF. BERYLLIUM COPPER.
- PLATING: NICKEL 1.27µm MIN. UNDERCOAT OVERALL.  
 GOLD FLASH 0.10µm MIN. OVER PALLADIUM-NICKEL 1.0µm MIN. IN CONTACT AREA.
- PACKAGING: TAPE AND REEL (EMBOSSED TAPE), SEE SDA-90868-0001.
- SEE PRODUCT SPECIFICATION PS-99020-0041.
- MXI AND CAVITY I.D. RAISED IN THESE AREAS MAX 0.1 TEXT HEIGHT MAX 1.5

FOR PREVIOUS DRAWING ISSUES SEE MRI.

EC NO. D	DRWN: SEE SHEET 1	CHK: CHK:	APPR:	REV	DESCRIPTION	QUALITY SYMBOLS MAJOR CRITICAL	GENERAL TOLERANCES: (UNLESS SPECIFIED)		SCALE 10:1	DESIGN UNITS <input checked="" type="checkbox"/> mm <input type="checkbox"/> INCH	THIRD ANGLE PROJECTION	DIMENSIONS: <input type="checkbox"/> mm <input type="checkbox"/> INCH <input checked="" type="checkbox"/> mm ONLY		SHT	REV
							4 PLACES ±0.1	±.	INCH	DRAWN BY & DATE PMCD/ID 26.05.99	TITLE: ONE CIRCUIT BATTERY CONNECTOR				
							3 PLACES ±0.1	±.		CHECKED BY & DATE CCONLON 18.08.99					
							2 PLACES ±0.10	±.		APPROVED BY & DATE MWLH/ITE 18.08.99					
							1 PLACE ±0.20	±.		CAD FILENAME					
							ANGULAR: ± 1°			MATERIAL NO. 90868-0003	DRAWING NO. SDA-90868E				
							DRAFT WHERE APPLICABLE MUST REMAIN WITHIN DIMENSIONS			THIS DRAWING CONTAINS INFORMATION THAT IS PROPRIETARY TO MOLEX INCORPORATED AND SHOULD NOT BE USED WITHOUT WRITTEN PERMISSION.					