

Excellent Integrated System Limited

Stocking Distributor

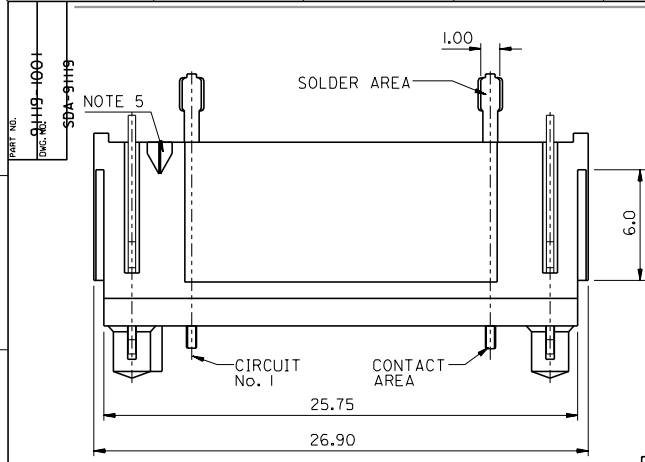
Click to view price, real time Inventory, Delivery & Lifecycle Information:

[Molex Connector Corporation](#)
[0911192002](#)

For any questions, you can email us directly:

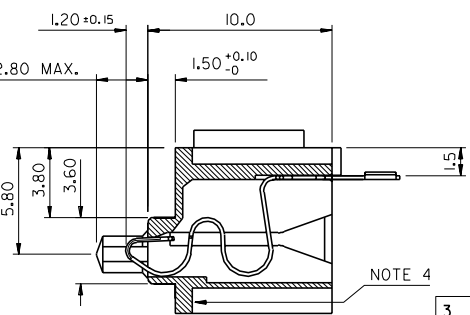
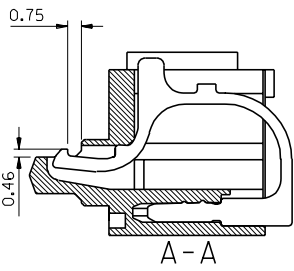
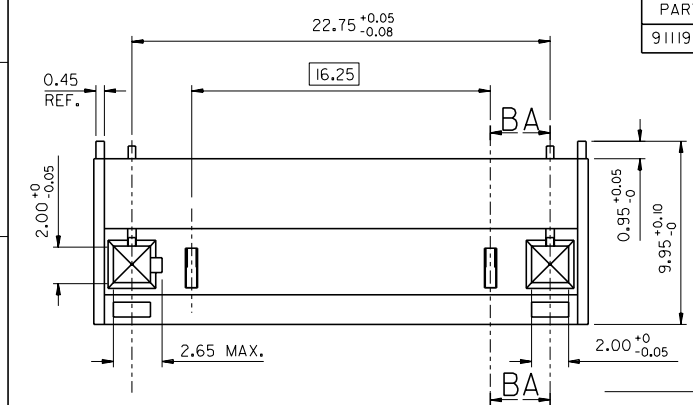
sales@integrated-circuit.com

10 9 8 7 6 5 4 3 2 1



- NOTES:
- MATERIALS: HOUSING: NYLON 4/6 (PA 4/6), 45% GLASS FILL, UL94V-0
COLOUR:BLACK.
TERMINALS: 0.20 REF. THK. PHOSPHOR BRONZE
LATCHES: 0.40 REF. THK. STAINLESS STEEL
PLATING: NICKEL 1.27um MIN.UNDERCOAT OVERALL
0.10um MIN.GOLD FLASH ON 1.0um MIN.
PALLADIUM-NICKEL (80/20) IN CONTACT AREA.
3-5um MIN. TIN-LEAD (90/10) IN SOLDER TAIL AREA.
 - PACKAGING: TRAY PER 99025-0029.
 - SEE PRODUCT SPECIFICATION PS-99020-0054.
 - PART No., 'MXI' AND CAVITY I.D. TO BE 0.1mm MAX. ABOVE THIS SURFACE.
 - SOLDER I.D. RIB RAISED 0.20mm ABOVE FLOOR OF WELL.
WELL TO BE 0.2mm MAX. DEEP.
 - FORCE AT 0.30mm DEFLECTION = 0.35N (MIN.).
FORCE AT 0.80mm DEFLECTION = 1.0N (MAX.).

| PART No. | LOADED CIRCUITS |
|------------|-----------------|
| 91119-1001 | 1 & 14 |



| | |
|---|----------|
| 3 | A10 |
| 2 | A10 |
| 1 | A10 |
| | SH. REV. |

FOR PREVIOUS DRAWING ISSUES SEE MRI.

| VARIOUS MODS. | REVISIONS |
|------------------------------|-----------|
| ECN E80116 97/10/20 J D C | |
| A10 | LTR |

| | | | |
|---|--------|--|----------|
| DIMENSIONS SHOWN (METRIC) INCH | | DRWG BY | JJO |
| UNLESS OTHERWISE SPECIFIED TOLERANCES: ANGULAR ± 1° | | CHK'D BY | |
| INCH (METRIC) | | APP'D BY | |
| 3 PLACE ± | | SCALE | 5:1 |
| 2 PLACE ± | ± 0.05 | | |
| 1 PLACE ± | ± 0.10 | | |
| DRAFT WHERE APPLICABLE MUST REMAIN WITHIN DIMENSIONS | | | |
| DESIGN DIMENSION (PRIMARY) | | <input checked="" type="checkbox"/> (MM) | |
| EQUIVALENT DIMENSION (SECONDARY) | | <input type="checkbox"/> (MM) <input type="checkbox"/> IN. | |
| CAD/CAM FILENAME: S9118Y1.DGN | | TITLE: MOBILE PHONE CONTACT UNIT FOR WIRE | |
| THIS DRAWING CONTAINS INFORMATION THAT IS PROPRIETARY TO MOLEX INC. & SHOULD NOT BE USED WITHOUT WRITTEN PERMISSION | | | |
| Molex MOLEX EUROPE | | SHEET NO. | 10F3 |
| PART NO. 91119-1001 | | DATE | 96/01/23 |
| DWG NO. SDA-91119 | | SIZE | B |

10 9 8 7 6 5 4 3 2 1

