

Excellent Integrated System Limited

Stocking Distributor

Click to view price, real time Inventory, Delivery & Lifecycle Information:

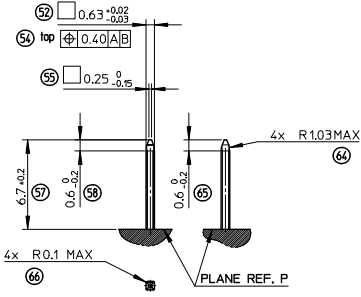
[Molex Connector Corporation](#)
[0986503002](#)

For any questions, you can email us directly:

sales@integrated-circuit.com

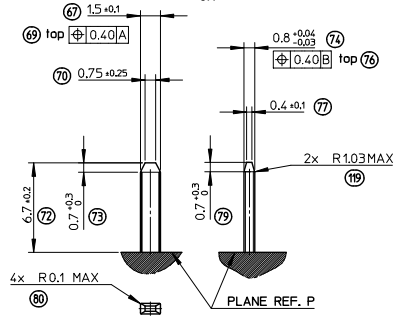
PINS 0.635 DEFINITION

5:1



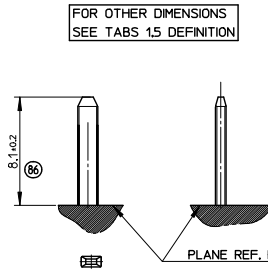
TABS 1.5 DEFINITION

5:1



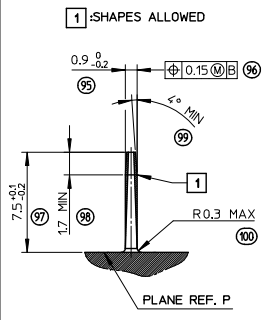
GROUND TABS 1.5 DEFINITION

5:1



PROTECTION WALL DEFINITION

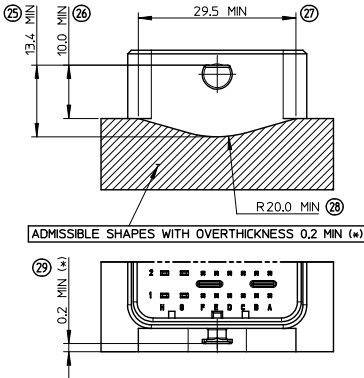
5:1



LOCKING AXIS PROTECTION

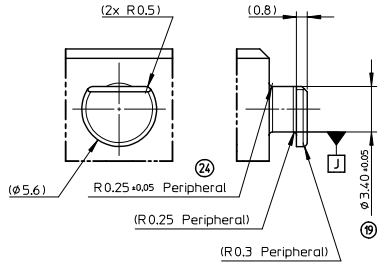
2:1

MANDATORY OVERTHICKNESS: dimension noted (*) IF THE LOCKING AXIS ARE OUT OF EQUIPMENT OVERALL DIMENSIONS.



LOCKING AXIS DEFINITION

5:1



ENTER DESCRIPTION	2010/05/20
EC NO: G2010-0220	
DRW: MPECHELE	2008/10/03
CHKD: J. GIURIATO	
APPR: COULCHAN	2010/06/29
REV	DESCRIPTION

GENERAL TOLERANCES (UNLESS SPECIFIED)	
mm	INCH
4 PLACES ±---	±---
3 PLACES ±---	±---
2 PLACES ±0.10	±---
1 PLACE ±0.10	±---
ANGULAR ± 2 °	

DIMENSION STYLE	
MM ONLY	
DRAWN BY	DATE
G. DESBRUERES	2008/10/02
CHECKED BY	DATE
J. GIURIATO	2008/10/03
APPROVED BY	DATE
O. PLESSIS	2008/10/06
MATERIAL NO.	
N/A	

SCALE	DESIGN UNITS	FIRST ANGLE PROJECTION
1:1	METRIC	
TITLE		
INTERFACES FOR CONNECTOR		
32 & 48 CKT CMC		
GENERIC SALES DRAWING		
MOLEX INCORPORATED		
DOCUMENT NO.	SHEET NO.	
SD-98644-006	2 OF 3	

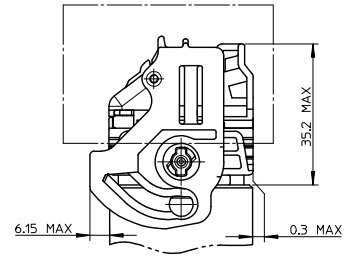
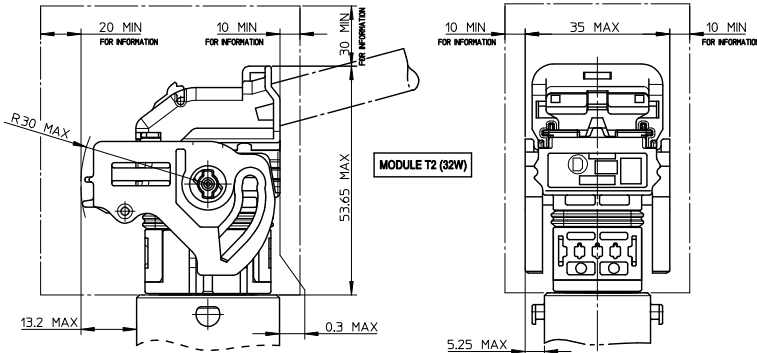
DRAFT WHERE APPLICABLE MUST REMAIN WITHIN DIMENSIONS

THIS DRAWING CONTAINS INFORMATION THAT IS PROPRIETARY TO MOLEX INCORPORATED AND SHOULD NOT BE USED WITHOUT WRITTEN PERMISSION

CONNECTOR ON HEADER - OVERALL DIMENSIONS

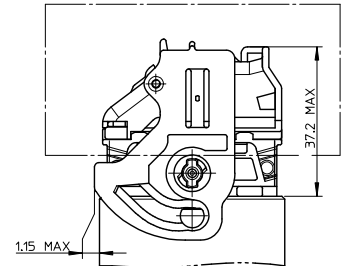
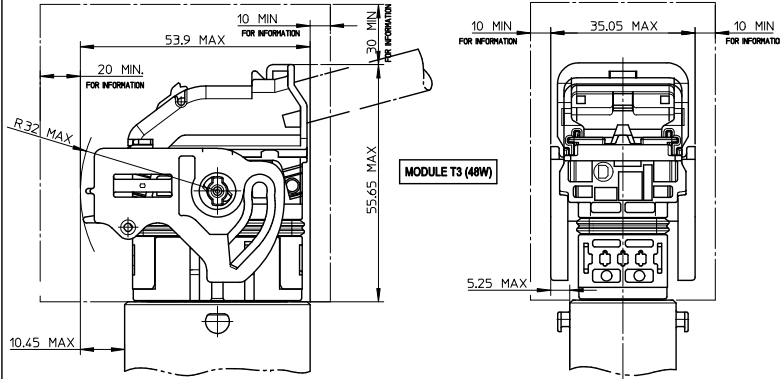
UNLOCKED CONNECTOR - OVERALL DIMENSIONS

LOCKED CONNECTOR - OVERALL DIMENSIONS



UNLOCKED CONNECTOR - OVERALL DIMENSIONS

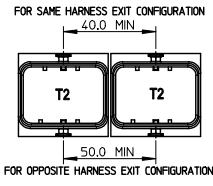
LOCKED CONNECTOR - OVERALL DIMENSIONS



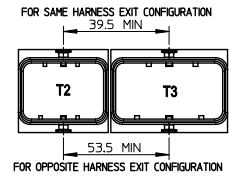
NOTE:
1- T2 = 32 WAY / T3 = 48 WAY

MULTI-HEADERS LAYOUT

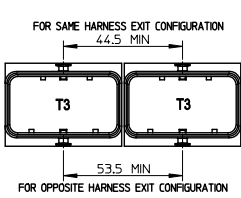
LAYOUT FOR TWO INTERFACES T2 (32W)



LAYOUT FOR TWO INTERFACES T2 (32W) AND T3 (48W)



LAYOUT FOR TWO INTERFACES T3 (48W)



LEGEND:

FREE VOLUME FOR MANUAL LOCKING AND UNLOCKING DIMENSIONS GIVEN FOR INFORMATION ONLY TO BE CONFIRMED BASED UPON VEHICLE CONFIGURATION.

ENTER DESCRIPTION	2010/05/20
EC NO: G2010-0220	2008/10/03
DR: WAPDECHELE	CHK: J. GIURIATO
APP: EBOUCHAN	2010/06/29

GENERAL TOLERANCES (UNLESS SPECIFIED)		
	mm	INCH
4 PLACES	± 0.10	± 0.004
3 PLACES	± 0.15	± 0.006
2 PLACES	± 0.20	± 0.008
1 PLACE	± 0.30	± 0.012
ANGULAR ± 2°		

DR: WAPDECHELE	2010/05/20
CHK: J. GIURIATO	2008/10/03
APP: EBOUCHAN	2010/06/29

DIMENSION STYLE	MM ONLY
SCALE	1:1
DESIGN UNITS	METRIC
FIRST ANGLE PROJECTION	
DRAWN BY	G. DESBRUIERES 2008/10/02
CHECKED BY	J. GIURIATO 2008/10/03
APPROVED BY	O. PLESSIS 2008/10/06
MATERIAL NO.	N/A
DOCUMENT NO.	SD-98644-006

DRAFT WHERE APPLICABLE MUST REMAIN WITHIN DIMENSIONS

THIS DRAWING CONTAINS INFORMATION THAT IS PROPRIETARY TO MOLEX INCORPORATED AND SHOULD NOT BE USED WITHOUT WRITTEN PERMISSION