

Excellent Integrated System Limited

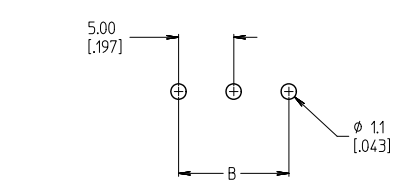
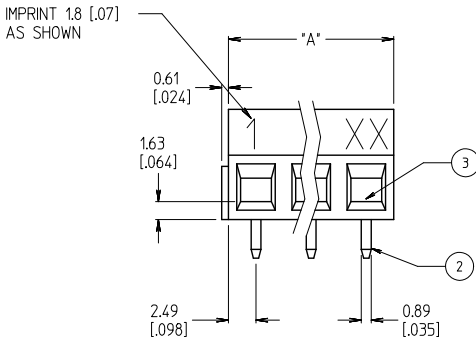
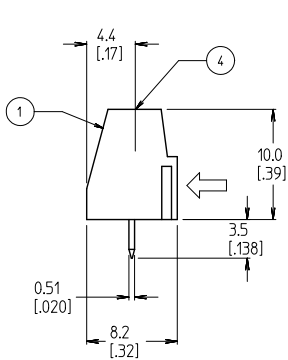
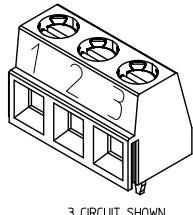
Stocking Distributor

Click to view price, real time Inventory, Delivery & Lifecycle Information:

[Molex Connector Corporation](#)
[0398904314](#)

For any questions, you can email us directly:

sales@integrated-circuit.com



IMPRINT 1.8 [.07]
AS SHOWN

- NOTES:
1. MATERIAL: SEE TABLE
 2. FINISHES: SEE TABLE
 3. ASSEMBLY IS ROHS COMPLIANT BY EXEMPTION. COMPONENTS MARKED WITH AN ASTERISK (*) ARE ROHS COMPLIANT BY EXEMPTION, ALL OTHERS ARE ROHS COMPLIANT.
 4. INCH DIMS ARE SHOWN IN BRACKETS [XXX].

MATERIAL NO.	MATERIAL NO. (GREEN)	MATERIAL NO. (BLACK)	NO. OF CIRCUITS 'XX'	DIM. 'A'	DIM. 'B'
398990024	398904302	398900302	02	10.0 [3.9]	5.00 [1.97]
398990026	398904303	398900303	03	15.0 [5.9]	10.00 [3.94]
398990027	398904304	398900304	04	20.0 [7.9]	15.00 [5.91]
398990028	398904305	398900305	05	25.0 [9.8]	20.00 [7.87]
	398904306	398900306	06	30.0 [11.8]	25.00 [9.84]
	398904307	398900307	07	35.0 [13.8]	30.00 [11.81]
	398904308	398900308	08	40.0 [15.7]	35.00 [13.78]
	398904309	398900309	09	45.0 [17.7]	40.00 [15.75]
	398904310	398900310	10	50.0 [19.7]	45.00 [17.72]
	398904311	398900311	11	55.0 [21.7]	50.00 [19.69]
	398904312	398900312	12	60.0 [23.6]	55.00 [21.66]
	398904313	398900313	13	65.0 [25.6]	60.00 [23.62]
	398904314	398900314	14	70.0 [27.6]	65.00 [25.59]
	398904315	398900315	15	75.0 [29.5]	70.00 [27.56]
	398904316	398900316	16	80.0 [31.5]	75.00 [29.53]
	398904317	398900317	17	85.0 [33.5]	80.00 [31.50]
	398904318	398900318	18	90.0 [35.4]	85.00 [33.46]
	398904319	398900319	19	95.0 [37.4]	90.00 [35.43]
	398904320	398900320	20	100.0 [39.4]	95.00 [37.40]
	398904321	398900321	21	105.0 [41.3]	100.00 [39.37]
	398904322	398900322	22	110.0 [43.3]	105.00 [41.34]
	398904323	398900323	23	115.0 [45.3]	110.00 [43.31]
	398904324	398900324	24	120.0 [47.2]	115.00 [45.28]
	398904325	398900325	25	125.0 [49.2]	120.00 [47.24]

ITEM	QTY.	DESCRIPTION	MATERIAL	FINISH
4	XX	SCREW, M3	COPPER ALLOY	NICKEL PLATED
3	XX	CAGE CLAMP (*)	COPPER ALLOY	NICKEL PLATED
2	XX	TERMINAL, PC	COPPER ALLOY	TIN PLATED (E)
1	1	INSULATOR	POLYAMIDE	BLACK

REVISED & REDRAWN EC NO: WNA2010-0469 2010/01/26 CHYKDDTITUS 2010/01/26 APPRDTITUS 2010/02/02	QUALITY SYMBOLS ▽=0 ▽=0	GENERAL TOLERANCES (UNLESS SPECIFIED) 4 PLACES ± --- ± --- 3 PLACES ± --- ± .005 2 PLACES ± 0.13 ± .010 1 PLACE ± 0.3 ± --- ANGULAR ± 2°	DIMENSION STYLE MM/IN DRAWN BY DATE CLYORK 2010/01/26 CHECKED BY DATE DTITUS 2010/01/26 APPROVED BY DATE DTITUS 2010/02/01	SCALE 3:1 DESIGN UNITS INCH THIRD ANGLE PROJECTION
		DRAFT WHERE APPLICABLE MUST REMAIN WITHIN DIMENSIONS	MATERIAL NO. SEE CHART	TITLE 5.00/.197 EUROSTYLE LOW, SINGLE ROW FIXED BLOCK