

## Excellent Integrated System Limited

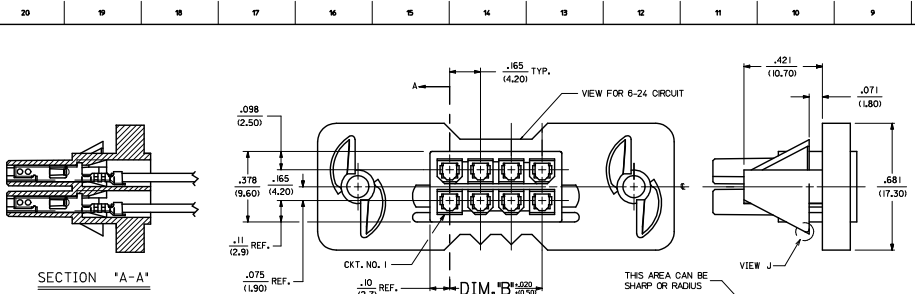
Stocking Distributor

Click to view price, real time Inventory, Delivery & Lifecycle Information:

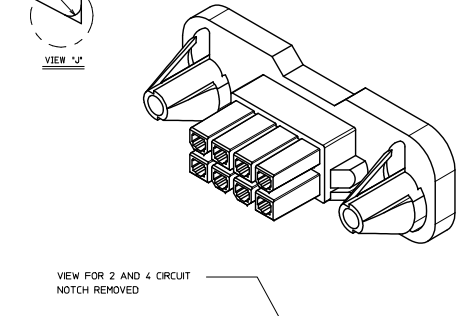
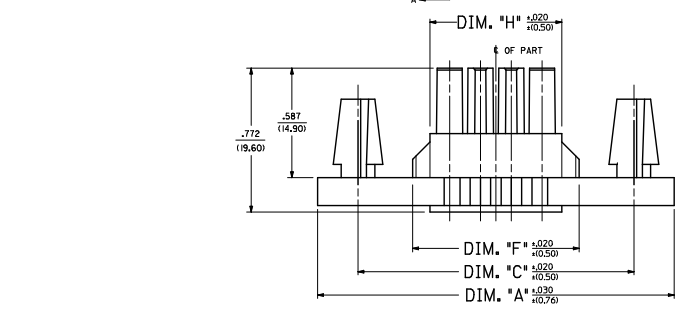
[Molex Connector Corporation](#)  
[0424741441](#)

For any questions, you can email us directly:

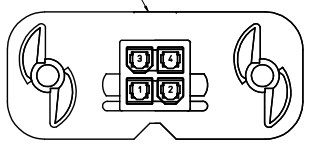
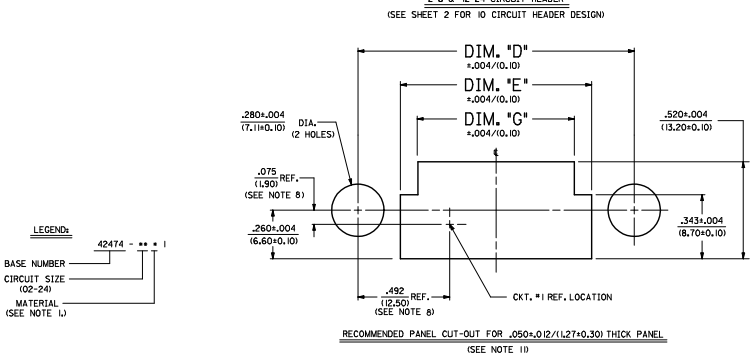
[sales@integrated-circuit.com](mailto:sales@integrated-circuit.com)



CKT. SIZE	DIM. "A"	DIM. "B"	DIM. "C"	DIM. "D"	DIM. "E"	DIM. "F"	DIM. "G"	DIM. "H"
2	1.417 (36.00)	N/A	.984 (25.00)	.984 (25.00)	.528 (13.40)	.388 (9.90)	.343 (8.70)	.213 (5.40)
4	1.983 (50.20)	N/A	1.562 (39.50)	1.562 (39.50)	1.150 (29.20)	.843 (21.30)	.708 (18.00)	.418 (10.60)
6	2.441 (62.00)	N/A	2.020 (51.00)	2.020 (51.00)	1.508 (38.20)	1.150 (29.20)	.984 (25.00)	.543 (13.80)
8	2.900 (73.60)	N/A	2.478 (62.80)	2.478 (62.80)	1.966 (50.00)	1.508 (38.20)	1.279 (32.50)	.613 (15.60)
10	3.358 (85.40)	N/A	2.936 (74.60)	2.936 (74.60)	2.424 (61.40)	1.966 (50.00)	1.648 (41.80)	.683 (17.30)
12	3.817 (97.00)	N/A	3.394 (86.40)	3.394 (86.40)	2.882 (73.20)	2.424 (61.40)	2.020 (51.00)	.753 (19.10)
14	4.275 (108.60)	N/A	3.852 (97.80)	3.852 (97.80)	3.340 (84.80)	2.882 (73.20)	2.478 (62.80)	.823 (20.90)
16	4.734 (120.20)	N/A	4.310 (109.20)	4.310 (109.20)	3.798 (96.40)	3.340 (84.80)	2.936 (74.60)	.893 (22.70)
18	5.192 (132.80)	N/A	4.768 (121.60)	4.768 (121.60)	4.256 (108.00)	3.798 (96.40)	3.394 (86.40)	.963 (24.50)
20	5.650 (144.40)	N/A	5.226 (133.20)	5.226 (133.20)	4.714 (119.60)	4.256 (108.00)	3.852 (97.80)	1.033 (26.30)
22	6.108 (156.00)	N/A	5.684 (144.60)	5.684 (144.60)	5.172 (131.20)	4.714 (119.60)	4.310 (109.20)	1.103 (27.90)
24	6.566 (167.60)	N/A	6.142 (156.20)	6.142 (156.20)	5.630 (142.80)	5.172 (131.20)	4.768 (121.60)	1.173 (29.70)



- NOTES**
- MATERIAL:  
"1" = NYLON UNFILLED 94V-2, COLOR NATURAL (WHITE)  
"2" = NYLON UNFILLED 94V-0, COLOR NATURAL (WHITE)  
"3" = NYLON UNFILLED 94V-2, COLOR BLACK  
"4" = NYLON UNFILLED 94V-0, COLOR BLACK.
  - FINISH NOT APPLICABLE.
  - PRODUCT SPECIFICATION: PS-5556-002
  - PACKAGING PK-42474-001
  - PART MATES WITH MINI-FIT B.M.I. PLUG #42475, AND HEADERS 42404, 42440, 43810, 44068 & 43875.
  - PART TO BE USED WITH MOLEX FEMALE TERMINAL #5556, 4476, 45750, OR 46018.
  - THIS CONNECTOR ALLOWS FOR .050/(1.27) MAX. MISALIGNMENT IN ANY DIRECTION.
  - THIS DIMENSION TO BE USED FOR ALIGNMENT OF THE MATING CONNECTOR.
  - CONNECTOR ASSEMBLIES ARE NOT TO BE MATED OR UNMATED WHILE CIRCUITS ARE LIVE.
  - THIS PART IS INTENDED FOR ONE PANEL INSERTION ONLY. REMOVAL AND RE-INSERTION CAN DAMAGE THE MOUNTING SPIRALS.
  - PANEL SHOULD BE PUNCHED IN THE DIRECTION OF CONNECTOR INSERTION.
  - BOTH SPIRALS SHOULD BE INSERTED INTO THE PANEL AT THE SAME TIME. ROCKING THE PART INTO PLACE MAY CAUSE SPIRAL DAMAGE.
  - THIS PART IS NOT INTENDED TO PROVIDE ANY ALIGNMENT OF CUSTOMER COMPONENTS OR MODULES, SUCH AS POWER SUPPLIES AND CHASSIS.
  - IF THIS PRODUCT IS STORED IN AN ENVIRONMENT WITH A RELATIVE HUMIDITY OF LESS THAN 50%, MOISTURE MUST BE ADDED. REFER TO TECHNICAL ADVISORY AS-45499-001 FOR INSTRUCTIONS.
  - USING 5556 OR 4476 TERMINALS:  
A MAXIMUM TOLERANCE OF .050/(1.27) ALLOWS FOR 2 POINTS OF ELECTRICAL CONTACT.  
A MAXIMUM TOLERANCE OF .020/(0.51) ALLOWS FOR 4 POINTS OF CONTACT.
  - USING 45750 OR 46018 TERMINALS:  
A MAXIMUM TOLERANCE OF .020/(0.51) ALLOWS FOR FULL CONTACT ENGAGEMENT.
  - WIRES ARE TO BE DRESSED IN SUCH A MANNER TO ALLOW THE TERMINALS TO FLOAT FREELY IN THE POKET.
  - PART CONFORMS TO CLASS "B" REQUIREMENTS OF COSMETIC SPECIFICATION PS-45499-002.



**LEGEND:**

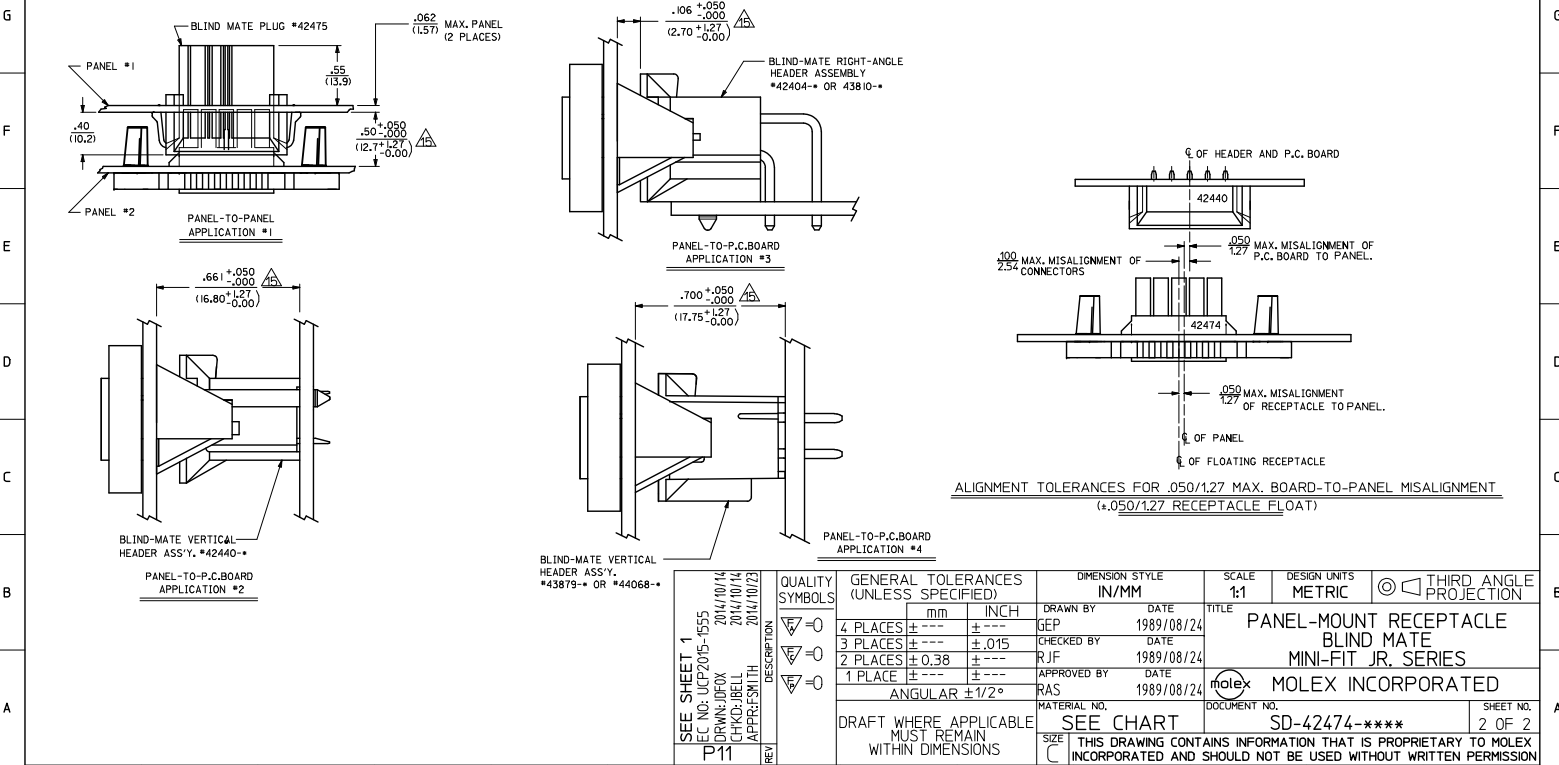
42474 - \*\* \* I

BASE NUMBER (02-24)

MATERIAL (SEE NOTE 1)

QUALITY SYMBOLS	GENERAL TOLERANCES (UNLESS SPECIFIED)		DIMENSION STYLE		SCALE	DESIGN UNITS	THIRD ANGLE PROJECTION
	mm	INCH	IN/MM	IN/IN			
∇=0	4 PLACES ±---	±---	DRAWN BY	DATE	1:1	METRIC	PANEL-MOUNT RECEPTACLE BLIND MATE MINI-FIT JR. SERIES
∇=0	3 PLACES ±---	±.015	CHECKED BY	DATE			
∇=0	2 PLACES ±0.38	±---	APPROVED BY	DATE			
∇=0	1 PLACE ±---	±---	RAS	1989/08/24	MOLEX INCORPORATED		1 OF 2
DRAFT WHERE APPLICABLE MUST REMAIN WITHIN DIMENSIONS		MATERIAL NO. SEE SHEET 2		DOCUMENT NO. SD-42474-****		1 OF 2	
DISCLAIMER: THIS DRAWING CONTAINS INFORMATION THAT IS PROPRIETARY TO MOLEX INCORPORATED AND SHOULD NOT BE USED WITHOUT WRITTEN PERMISSION							

PART NUMBER	ENG. NUMBER	CKT. SIZE	MATERIAL (SEE NOTE 1.)	PART NUMBER	ENG. NUMBER	CKT. SIZE	MATERIAL (SEE NOTE 1.)	ITEM NUMBER	CKT. SIZE	MATERIAL (SEE NOTE 1.)	ITEM NUMBER	CKT. SIZE	MATERIAL (SEE NOTE 1.)
NOT TOOLED	42474-0211	2	94V-2	NOT TOOLED	42474-0221	2	94V-0	NOT TOOLED	2	94V-2	NOT TOOLED	2	94V-0
15-06-0040	42474-0411	4	94V-2	15-06-0041	42474-0421	4	94V-0	42474-0431	4	94V-2	42474-0441	4	94V-0
15-06-0060	42474-0611	6	94V-2	15-06-0061	42474-0621	6	94V-0	42474-0631	6	94V-2	42474-0641	6	94V-0
15-06-0080	42474-0811	8	94V-2	15-06-0081	42474-0821	8	94V-0	42474-0831	8	94V-2	NOT TOOLED	8	94V-0
15-06-0100	42474-1011	10	94V-2	15-06-0101	42474-1021	10	94V-0	42474-1031	10	94V-2	42474-1041	10	94V-0
NOT TOOLED	42474-1211	12	94V-2	NOT TOOLED	42474-1221	12	94V-0	NOT TOOLED	12	94V-2	NOT TOOLED	12	94V-0
15-06-0140	42474-1411	14	94V-2	15-06-0141	42474-1421	14	94V-0	42474-1431	14	94V-2	42474-1441	14	94V-0
NOT TOOLED	42474-1611	16	94V-2	NOT TOOLED	42474-1621	16	94V-0	NOT TOOLED	16	94V-2	NOT TOOLED	16	94V-0
15-06-0180	42474-1811	18	94V-2	15-06-0181	42474-1821	18	94V-0	42474-1831	18	94V-2	42474-1841	18	94V-0
NOT TOOLED	42474-2011	20	94V-2	NOT TOOLED	42474-2021	20	94V-0	NOT TOOLED	20	94V-2	NOT TOOLED	20	94V-0
NOT TOOLED	42474-2211	22	94V-2	NOT TOOLED	42474-2221	22	94V-0	NOT TOOLED	22	94V-2	NOT TOOLED	22	94V-0
15-06-0240	42474-2411	24	94V-2	15-06-0241	42474-2421	24	94V-0	42474-2431	24	94V-2	42474-2441	24	94V-0



ib_frame_C.P.AM.T Rev. F 2009/06/18	12	11	10	9	8	7	6	5	4	3	2	1
--	----	----	----	---	---	---	---	---	---	---	---	---

<b>SEE SHEET 1</b> REC NO: UCP2015-1555 DRAWN: JPOX 2014/10/14 CHKD: BELL 2014/10/14 APPROV: SMITH 2014/10/23 P11 REV	QUALITY SYMBOLS ∇=0 ∇=0 ∇=0	GENERAL TOLERANCES (UNLESS SPECIFIED) mm INCH 4 PLACES ± .015 ± .005 3 PLACES ± .015 ± .005 2 PLACES ± 0.38 ± .015 1 PLACE ± .015 ± .005 ANGULAR ± 1/2°	DIMENSION STYLE IN/MM DRAWN BY DATE GEP 1989/08/24 CHECKED BY DATE R/JF 1989/08/24 APPROVED BY DATE RAS 1989/08/24	SCALE 1:1 DESIGN UNITS METRIC	THIRD ANGLE PROJECTION
	TITLE PANEL-MOUNT RECEPTACLE BLIND MATE MINI-FIT JR. SERIES				
	MOLEX INCORPORATED				
	MATERIAL NO. SEE CHART DOCUMENT NO. SD-42474-**** SHEET NO. 2 OF 2				

DRAFT WHERE APPLICABLE MUST REMAIN WITHIN DIMENSIONS

THIS DRAWING CONTAINS INFORMATION THAT IS PROPRIETARY TO MOLEX INCORPORATED AND SHOULD NOT BE USED WITHOUT WRITTEN PERMISSION