

Excellent Integrated System Limited

Stocking Distributor

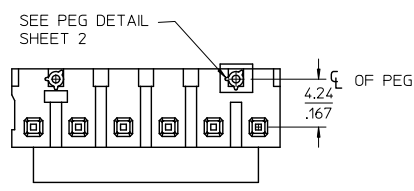
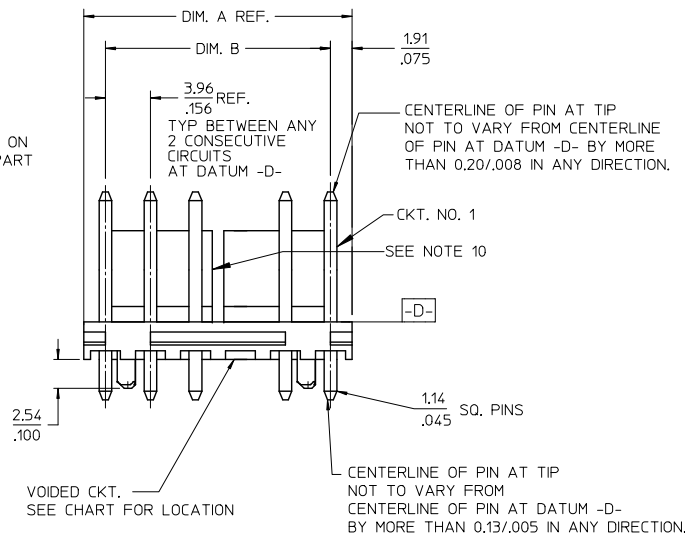
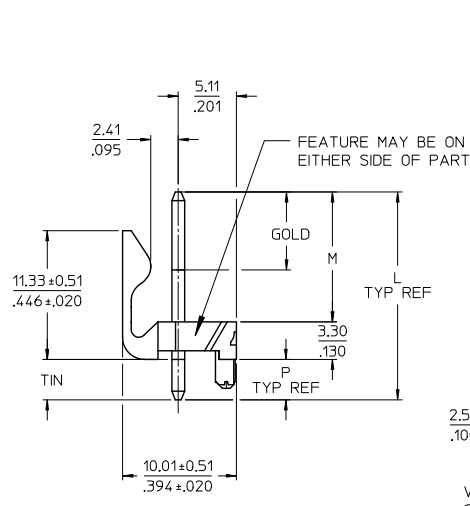
Click to view price, real time Inventory, Delivery & Lifecycle Information:

[Molex Connector Corporation](#)
[0424910313](#)

For any questions, you can email us directly:

sales@integrated-circuit.com

CKTS.	DIM. A	DIM. B	SLOT LOC BETWEEN CKTS
2	7.77 .306	3.96+0.05 .156+0.002	NONE
3	11.73 .462	7.92+0.08 .312+0.003	NONE
4	15.70 .618	11.89+0.08 .468+0.003	NONE
5	19.66 .774	15.85+0.10 .624+0.004	NONE
6	23.62 .930	19.81+0.10 .780+0.004	3 & 4
7	27.58 1.086	23.77+0.10 .936+0.004	4 & 5
8	31.55 1.242	27.74+0.13 1.092+0.005	4 & 5
9	35.51 1.398	31.70+0.13 1.248+0.005	5 & 6
10	39.47 1.554	35.66+0.13 1.404+0.005	5 & 6
11	43.43 1.710	39.62+0.15 1.560+0.006	6 & 7
12	47.40 1.866	43.59+0.15 1.716+0.006	4 & 5 8 & 9

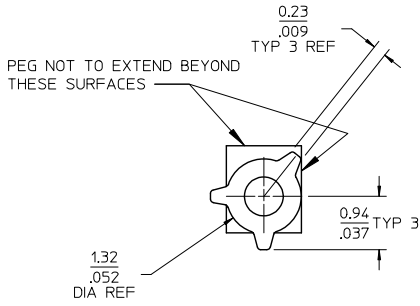


GEN. DOCS.	3-8	G2
ANNOTATOR	1-2	G2
SOFTWARE	SHT.	REV.

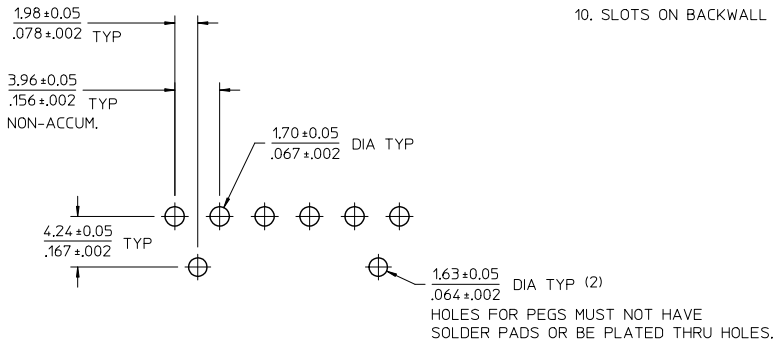
ADD 42491-0087 EC NO: UCP2013-5395 DRAWN:KK/PPER 2013/06/13 CHKD:JBELL 2013/06/13 APPR:FSM/TH 2014/05/07 REV G2	QUALITY SYMBOLS	GENERAL TOLERANCES (UNLESS SPECIFIED)	DIMENSION STYLE	SCALE	DESIGN UNITS	THIRD ANGLE PROJECTION	
	$\nabla=0$ $\nabla=0$ $\nabla=0$	4 PLACES ± --- ± --- 3 PLACES ± --- ± .010 2 PLACES ± 0.25 ± .015 1 PLACE ± 0.38 ± --- 0 PLACE ± ±	MM/IN	2:1	INCH	DRAWN BY DATE SCHAFFER 11-14-03 CHECKED BY DATE SAMIEC 11-14-03 APPROVED BY DATE MARGULIS 11-14-03	KK 156 HEADER ASSEMBLY FRICTION LOCK VERTICAL PEGS molex SEE CHART THIS DRAWING CONTAINS INFORMATION THAT IS PROPRIETARY TO MOLEX INCORPORATED AND SHOULD NOT BE USED WITHOUT WRITTEN PERMISSION
		ANGULAR ± 1/2°	MATERIAL NO.	DOCUMENT NO.	SHEET NO.		
		DRAFT WHERE APPLICABLE MUST REMAIN WITHIN DIMENSIONS	SEE CHART	SD-42491-001	1 OF *		
			SIZE A				

lb_frame_A_P_AM_T
Rev. G 2012/01/11

5 4 3 2 1



PEG DETAIL
SCALE 10 : 1



PCB LAYOUT: COMPONENT SIDE

NOTES:

- MATERIAL: HEADER-POLYESTER, 94V-0, MOLDED NATURAL (WHITE)
PINS: BRASS
- FINISHES: (197) OVERALL REFLOWED MATTE TIN: 0.00152/.000060 MIN. OVER 0.00127/.000050 MIN. NICKEL OVERALL.
(208) SELECT GOLD 0.00038/.000015 MIN. SELECT TIN 0.00254/.000100 MIN. OVER NICKEL
(228) SELECT GOLD 0.00076/.000030 MIN. SELECT TIN 0.00254/.000100 MIN. OVER NICKEL
(241) SELECT GOLD: 0.00051/.000020 MIN.
SELECT TIN: 0.00254/.000100 MIN.
OVERALL NICKEL UNDERPLATE: 0.00127/.000050 MIN.
- PRODUCT SPECIFICATION: SEE PS-08-50.
- PACKAGING INFORMATION: SEE CHARTS.
- SOLDERABILITY: WHEN PARTS ARE SOLDERED AT A TEMPERATURE OF 230°C (446°F) FOR 5 SECONDS, EACH SOLDERED SURFACE SHALL BE A MINIMUM OF 95% COVERED.
- PIN PUSH OUT FORCE: PRIOR TO SOLDERING - 3 LB MINIMUM FORCE (IN EITHER DIRECTION) SHALL BE REQUIRED TO PUSH THE PIN OUT OF THE HEADER.
- PARTS ARE STACKABLE END TO END ON (3.96)/.156 CENTERS.
- FOR PART WITHOUT PEGS SEE DWG. NO. SDA-41791.
- THIS PART CONFORMS TO CLASS B REQUIREMENTS OF COSMETIC SPECIFICATION PS-45499-002.
- SLOTS ON BACKWALL ARE BETWEEN CIRCUITS. SEE CHART FOR LOCATION.

SEE SHEET 1 EC NO: UCP2013-5395 DRWN:KKIPPER 2013/06/13 CHKD:JBELL 2013/06/13 APPR:FSM/TH 2014/05/07	DESCRIPTION G2	QUALITY SYMBOLS	GENERAL TOLERANCES (UNLESS SPECIFIED)	DIMENSION STYLE MM/IN	SCALE 1:1	DESIGN UNITS INCH	THIRD ANGLE PROJECTION																															
		$\nabla=0$ $\nabla=0$ $\nabla=0$	<table border="1"> <thead> <tr> <th></th> <th>mm</th> <th>INCH</th> </tr> </thead> <tbody> <tr> <td>4 PLACES</td> <td>± ---</td> <td>± ---</td> </tr> <tr> <td>3 PLACES</td> <td>± ---</td> <td>± .010</td> </tr> <tr> <td>2 PLACES</td> <td>± 0.25</td> <td>± .015</td> </tr> <tr> <td>1 PLACE</td> <td>± 0.38</td> <td>± ---</td> </tr> <tr> <td>0 PLACE</td> <td>±</td> <td>±</td> </tr> </tbody> </table>		mm	INCH	4 PLACES	± ---	± ---	3 PLACES	± ---	± .010	2 PLACES	± 0.25	± .015	1 PLACE	± 0.38	± ---	0 PLACE	±	±	<table border="1"> <thead> <tr> <th>DRAWN BY</th> <th>DATE</th> </tr> </thead> <tbody> <tr> <td>SCHAFFER</td> <td>11-14-03</td> </tr> <tr> <th>CHECKED BY</th> <th>DATE</th> </tr> <tr> <td>SAMIEC</td> <td>11-14-03</td> </tr> <tr> <th>APPROVED BY</th> <th>DATE</th> </tr> <tr> <td>MARGULIS</td> <td>11-14-03</td> </tr> </tbody> </table>	DRAWN BY	DATE	SCHAFFER	11-14-03	CHECKED BY	DATE	SAMIEC	11-14-03	APPROVED BY	DATE	MARGULIS	11-14-03	TITLE KK 156 HEADER ASSEMBLY FRICTION LOCK VERTICAL PEGS			
			mm	INCH																																		
		4 PLACES	± ---	± ---																																		
3 PLACES	± ---	± .010																																				
2 PLACES	± 0.25	± .015																																				
1 PLACE	± 0.38	± ---																																				
0 PLACE	±	±																																				
DRAWN BY	DATE																																					
SCHAFFER	11-14-03																																					
CHECKED BY	DATE																																					
SAMIEC	11-14-03																																					
APPROVED BY	DATE																																					
MARGULIS	11-14-03																																					
ANGULAR ±1/2° DRAFT WHERE APPLICABLE MUST REMAIN WITHIN DIMENSIONS				MATERIAL NO. SEE CHART	DOCUMENT NO. SD-42491-001	SHEET NO. 2 OF *																																
				SIZE A	THIS DRAWING CONTAINS INFORMATION THAT IS PROPRIETARY TO MOLEX INCORPORATED AND SHOULD NOT BE USED WITHOUT WRITTEN PERMISSION																																	