

## Excellent Integrated System Limited

Stocking Distributor

Click to view price, real time Inventory, Delivery & Lifecycle Information:

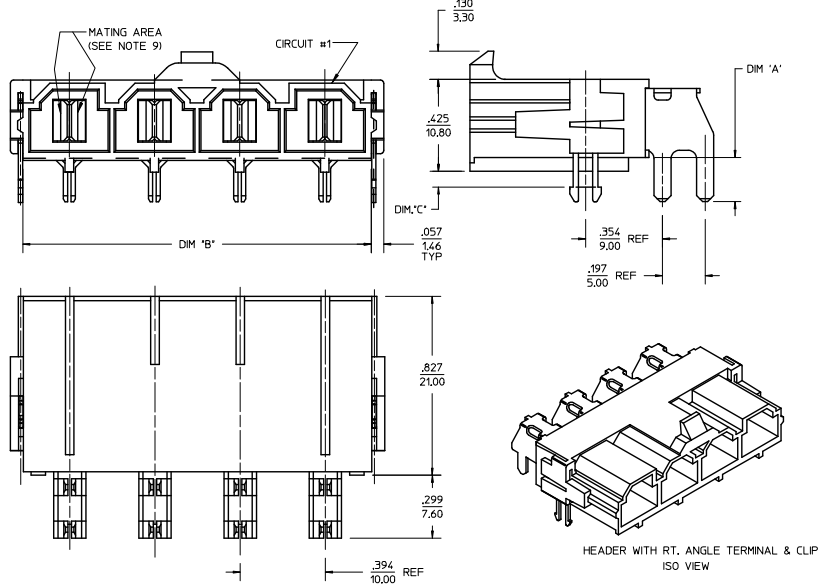
[Molex Connector Corporation](#)  
[0428203232](#)

For any questions, you can email us directly:

[sales@integrated-circuit.com](mailto:sales@integrated-circuit.com)

ITEM NUMBER	QTY.	DIM.'A'	DIM.'B'	DIM.'C'	TERMINAL PLATING	CLIP PLATING	STATUS
42820-2213	2	.138/(3.50)	.823/(20.90)	.071/(1.80)			
42820-2313	2	.138/(3.50)	.823/(20.90)	N/A			
42820-2223	2	.201/(5.10)	.823/(20.90)	.102/(2.60)			
42820-2233	2	.201/(5.10)	.823/(20.90)	.134/(3.40)			
42820-2243	2	.327/(8.30)	.823/(20.90)	.259/(6.58)			
42820-3213	3	.138/(3.50)	1.217/(30.90)	.071/(1.80)			
42820-3223	3	.138/(3.50)	1.217/(30.90)	.102/(2.60)			
42820-3233	3	.201/(5.10)	1.217/(30.90)	.134/(3.40)			
42820-3243	3	.327/(8.30)	1.217/(30.90)	.259/(6.58)			
42820-4213	4	.138/(3.50)	1.610/(40.90)	.071/(1.80)			
42820-4223	4	.201/(5.10)	1.610/(40.90)	.102/(2.60)			
42820-4233	4	.201/(5.10)	1.610/(40.90)	.134/(3.40)			
42820-4243	4	.327/(8.30)	1.610/(40.90)	.259/(6.58)			
42820-5213	5	.138/(3.50)	2.004/(50.90)	.071/(1.80)			
42820-5223	5	.201/(5.10)	2.004/(50.90)	.102/(2.60)			
42820-5233	5	.201/(5.10)	2.004/(50.90)	.134/(3.40)			
42820-5243	5	.327/(8.30)	2.004/(50.90)	.259/(6.58)			
42820-6213	6	.138/(3.50)	2.398/(60.90)	.071/(1.80)			
42820-6223	6	.201/(5.10)	2.398/(60.90)	.102/(2.60)			
42820-6233	6	.201/(5.10)	2.398/(60.90)	.134/(3.40)			
42820-6243	6	.327/(8.30)	2.398/(60.90)	.259/(6.58)			
42820-2214	2	.138/(3.50)	.823/(20.90)	.071/(1.80)			
42820-2224	2	.201/(5.10)	.823/(20.90)	.102/(2.60)			
42820-2234	2	.201/(5.10)	.823/(20.90)	.134/(3.40)			
42820-2244	2	.327/(8.30)	.823/(20.90)	.259/(6.58)			
42820-3214	3	.138/(3.50)	1.217/(30.90)	.071/(1.80)			
42820-3224	3	.201/(5.10)	1.217/(30.90)	.102/(2.60)			
42820-3234	3	.201/(5.10)	1.217/(30.90)	.134/(3.40)			
42820-3244	3	.327/(8.30)	1.217/(30.90)	.259/(6.58)			
42820-4214	4	.138/(3.50)	1.610/(40.90)	.071/(1.80)			
42820-4224	4	.201/(5.10)	1.610/(40.90)	.102/(2.60)			
42820-4234	4	.201/(5.10)	1.610/(40.90)	.134/(3.40)			
42820-4244	4	.327/(8.30)	1.610/(40.90)	.259/(6.58)			
42820-5214	5	.138/(3.50)	2.004/(50.90)	.071/(1.80)			
42820-5224	5	.201/(5.10)	2.004/(50.90)	.102/(2.60)			
42820-5234	5	.201/(5.10)	2.004/(50.90)	.134/(3.40)			
42820-5244	5	.327/(8.30)	2.004/(50.90)	.259/(6.58)			
42820-6214	6	.138/(3.50)	2.398/(60.90)	.071/(1.80)			
42820-6224	6	.201/(5.10)	2.398/(60.90)	.102/(2.60)			
42820-6234	6	.201/(5.10)	2.398/(60.90)	.134/(3.40)			
42820-6244	6	.327/(8.30)	2.398/(60.90)	.259/(6.58)			

NOTE:  
 1) MATERIAL:  
 HOUSING MATERIAL:30% GLASS-FILLED NYLON 4/6, UL94V-0, COLOR: BLACK, TERMINAL MATERIAL ALLOY 151.  
 2) FINISH: 2-.000100/(.00254) MIN. TIN OVER .000050/(.00127) MIN. NICKEL. 3-.000030/(.00076) MIN. SELECT GOLD IN CONTACT AREA. OVER .000050/(.00127) MIN NICKEL. 4-.000100/(.00254) MIN SELECT SILVER IN CONTACT AREA .000100/(.00254) MIN. SELECT TIN ON SOLDER TAILS OVER .000050/(.00127) MIN NICKEL.  
 3) PRODUCT SPECIFICATION: PS-42815-001  
 4) PACKAGING INFORMATION SEE MOLEX PACKING SPEC, PK-42820-910  
 5) PART MATES WITH MOLEX RECEPTACLE \*42816-\*\*\*2 WITH TPA.  
 6) PART IS DESIGNED IN METRIC.  
 7) AN 'X' IN FRONT OF THE ITEM NUMBER INDICATES THE PART IS NOT TOOLED.  
 8) PARTS ARE NOT TO BE MATED OR UNMATED WHILE CIRCUITS ARE LIVE  
 9) WHEN USING OVERALL TIN PLATED TERMINALS:  
 FOR APPLICATIONS INVOLVING VIBRATION AND/OR TERMINAL CYCLING, MOLEX STRONGLY RECOMMENDS THE USE OF NYE LUBRICANT (NYOGEL 760G) ON THE MATING SURFACES OF THE TERMINAL.  
 10) PARTS CONFORMS TO CLASS 'B' REQUIREMENTS OF COSMETIC SPECIFICATIONS PS-45499-002  
 11) FOR TAPE AND REEL PACKAGING REFER TO PK-45986-004  
 12) BOARD CLIP HOLE MAY OR MAY NOT BE PLATED, REFER TO CHART FOR PLATED / UNPLATED CLIPS.  
 13) REFER AS-42815-001 FOR TIN PLATED TERMINALS RECOMMENDED LUBRICATION PROCEDURE.



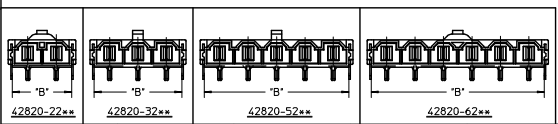
LEGEND :

A-42820 - CIRCUIT SIZE (2-6)

PLATING  
 2 OR 9 = OVERALL BRIGHT TIN OVER NICKEL  
 3 OR 8 = SELECT GOLD IN CONTACT AREA  
 SELECT MATTE TIN ON SOLDER TAILS OVER NICKEL  
 4 = SELECT SILVER IN CONTACT AREA  
 SELECT MATTE TIN ON SOLDER TAILS OVER NICKEL

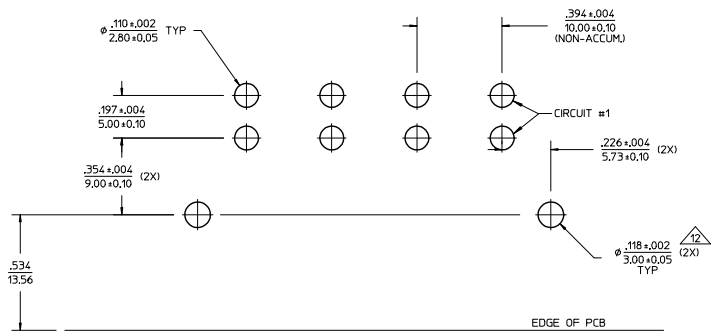
MOUNTING OPTION  
 1 = FLANGES (SEE DWG SDA-42820-\*\*\*1)\*\*  
 2 = RETENTION CLIP  
 3 = NO RETENTION CLIP

P.C. BOARD THICKNESS  
 1 = .062/(1.57) NOMINAL  
 2 = .093/(2.36) NOMINAL  
 3 = .125/(3.18) NOMINAL  
 4 = .250/(6.35) NOMINAL



ADD -2314 & -3314 REC NO: UCP2016-2636 DRAWN/MOLE CHKD: APPROV: P1/SZCZOR G12 REV	QUALITY SYMBOLS 	GENERAL TOLERANCES (UNLESS SPECIFIED) mm INCH 4 PLACES ± --- ± --- 3 PLACES ± --- ± .005 2 PLACES ± 0.13 ± .010 1 PLACE ± 0.25 ± --- 0 PLACE ± --- ± ---	DIMENSION STYLE IN/MM DRAWN BY DATE KSM 1/4/96 CHECKED BY DATE SF 1/4/96 APPROVED BY DATE SF 1/4/96	SCALE 3:1 DESIGN UNITS METRIC THIRD ANGLE PROJECTION	TITLE MINI-FIT SR. RIGHT ANGLE HEADER ASSEMBLY <b>molex</b>	MATERIAL NO. SEE CHART DOCUMENT NO. SDA-42820-0002	SHEET NO. 1 OF 2
		ANGULAR ±1/2° DRAFT WHERE APPLICABLE MUST REMAIN WITHIN DIMENSIONS	THIS DRAWING CONTAINS INFORMATION THAT IS PROPRIETARY TO MOLEX INCORPORATED AND SHOULD NOT BE USED WITHOUT WRITTEN PERMISSION				

ITEM NUMBER	CKT. SIZE	DIM.'A'	DIM.'B'	DIM.'C'	TERMINAL PLATING	CLIP PLATING	STATUS
42820-2212	2	.198/(3.50)	.823/(20.90)	.071/(1.80)	OVERALL BRIGHT TIN	NONE	SEE NOTE 11
42820-2219	2	.198/(3.50)	.823/(20.90)	.071/(1.80)			
42820-2222	2	.201/(5.10)	.823/(20.90)	.102/(2.60)			
42820-2232	2	.201/(5.10)	.823/(20.90)	.134/(3.40)			
42820-2239	2	.201/(5.10)	.823/(20.90)	.134/(3.40)			
42820-2242	2	.327/(8.30)	.823/(20.90)	.259/(6.58)			
42820-3212	3	.198/(3.50)	1.217/(30.90)	.071/(1.80)			
42820-3222	3	.201/(5.10)	1.217/(30.90)	.102/(2.60)			
42820-3229	3	.201/(5.10)	1.217/(30.90)	.102/(2.60)			
42820-3232	3	.201/(5.10)	1.217/(30.90)	.134/(3.40)			
42820-3242	3	.327/(8.30)	1.217/(30.90)	.259/(6.58)			
42820-4212	4	.198/(3.50)	1.610/(40.90)	.071/(1.80)			
42820-4312	4	.198/(3.50)	1.610/(40.90)	N/A			
42820-4222	4	.201/(5.10)	1.610/(40.90)	.102/(2.60)			
42820-4232	4	.201/(5.10)	1.610/(40.90)	.134/(3.40)			
42820-4242	4	.327/(8.30)	1.610/(40.90)	.259/(6.58)			
42820-5212	5	.198/(3.50)	2.004/(50.90)	.071/(1.80)			
42820-5222	5	.201/(5.10)	2.004/(50.90)	.102/(2.60)			
42820-5232	5	.201/(5.10)	2.004/(50.90)	.134/(3.40)			
42820-5242	5	.327/(8.30)	2.004/(50.90)	.259/(6.58)			
42820-6212	6	.198/(3.50)	2.398/(60.90)	.071/(1.80)			
42820-6222	6	.201/(5.10)	2.398/(60.90)	.102/(2.60)			
42820-6229	6	.201/(5.10)	2.398/(60.90)	.102/(2.60)			
42820-6232	6	.201/(5.10)	2.398/(60.90)	.134/(3.40)			
42820-6242	6	.327/(8.30)	2.398/(60.90)	.259/(6.58)			
42820-2332	2	.201/(5.10)	.823/(20.90)	N/A			
42820-2342	2	.327/(8.30)	.823/(20.90)	N/A			



RECOMMENDED P.C. BOARD PLATED -THRU HOLE LAYOUT  
(4 CKT. SHOWN FOR REF.)

SEE SHEET 1 REC NO: UCP2016-2636 DRAWN/CHECKED: 2016/01/04 CHKD: APPROVED BY: SZCZOR 2016/01/29 DESCRIPTION: G12 REV:	QUALITY SYMBOLS	GENERAL TOLERANCES (UNLESS SPECIFIED)	DIMENSION STYLE	SCALE	DESIGN UNITS	THIRD ANGLE PROJECTION
	$\nabla = \emptyset$ $\nabla = \emptyset$ $\nabla = \emptyset$	4 PLACES ± --- ± --- 3 PLACES ± --- ± .005 2 PLACES ± 0.13 ± .010 1 PLACE ± 0.25 ± --- 0 PLACE ± --- ± ---	IN/MM	3:1	METRIC	
	ANGULAR ± 1/2° DRAFT WHERE APPLICABLE MUST REMAIN WITHIN DIMENSIONS	DRAWN BY: KSM DATE: 1/4/196 CHECKED BY: SF DATE: 1/4/196 APPROVED BY: SF DATE: 1/4/196	MATERIAL NO. <b>SEE CHART</b>	TITLE <b>MINI-FIT SR. RIGHT ANGLE HEADER ASSEMBLY</b>	DOCUMENT NO. <b>SDA-42820-0002</b>	SHEET NO. <b>2 OF 2</b>
	SIZE C	THIS DRAWING CONTAINS INFORMATION THAT IS PROPRIETARY TO MOLEX INCORPORATED AND SHOULD NOT BE USED WITHOUT WRITTEN PERMISSION				