

Excellent Integrated System Limited

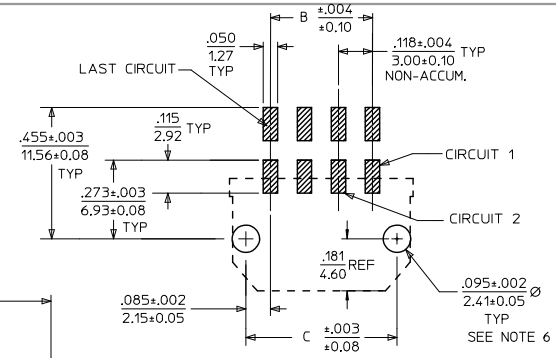
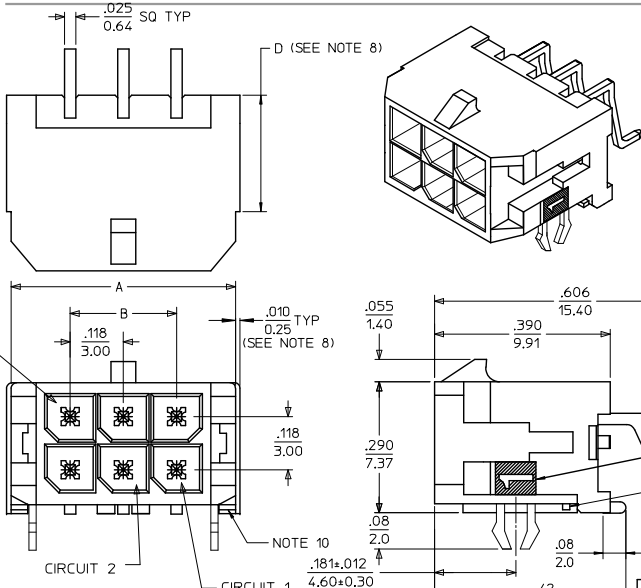
Stocking Distributor

Click to view price, real time Inventory, Delivery & Lifecycle Information:

[Molex Connector Corporation](#)
[0430450207](#)

For any questions, you can email us directly:

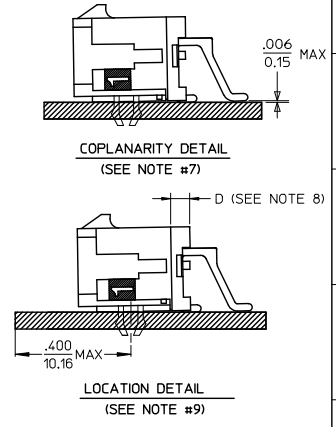
sales@integrated-circuit.com



| CKTS | A | B | C |
|------|-------|-------|-------|
| 02 | .262 | | .169 |
| | 6.65 | NA | 4.30 |
| 04 | .380 | .118 | .287 |
| | 9.65 | 3.00 | 7.30 |
| 06 | .498 | .236 | .405 |
| | 12.65 | 6.00 | 10.30 |
| 08 | .616 | .354 | .524 |
| | 15.65 | 9.00 | 13.30 |
| 10 | .734 | .472 | .642 |
| | 18.65 | 12.00 | 16.30 |
| 12 | .852 | .591 | .760 |
| | 21.65 | 15.00 | 19.30 |
| 14 | .970 | .709 | .878 |
| | 24.65 | 18.00 | 22.30 |
| 16 | 1.088 | .827 | .996 |
| | 27.65 | 21.00 | 25.30 |
| 18 | 1.206 | .945 | 1.114 |
| | 30.65 | 24.00 | 28.30 |
| 20 | 1.325 | 1.063 | 1.232 |
| | 33.65 | 27.00 | 31.30 |
| 22 | 1.443 | 1.181 | 1.350 |
| | 36.65 | 30.00 | 34.30 |
| 24 | 1.561 | 1.299 | 1.469 |
| | 39.65 | 33.00 | 37.30 |

- NOTES:
- HOUSING MATERIAL: GLASS FILLED LIQUID CRYSTAL POLYMER, UL94V-0. COLOR: BLACK
TERMINAL MATERIAL: BRASS ALLOY
 - FINISH: A = .000060/(0.00152) MIN. REFLOWED MATTE TIN OVER .000050/(0.00127) MIN. NICKEL PLATE. (FINISH IS BRIGHT IN APPEARANCE. THICKNESS AS APPLIED PRIOR TO REFLOW).
B = .000015/(0.00038) MIN. SELECT GOLD IN CONTACT AREA, .000100/(0.00254) MIN. SELECT MATTE TIN ON SOLDER TAILS, BOTH OVER .000050/(0.00127) MIN. NICKEL PLATE.
C = .000030/(0.00076) MIN. SELECT GOLD IN CONTACT AREA, .000100/(0.00254) MIN. SELECT MATTE TIN ON SOLDER TAILS, BOTH OVER .000050/(0.00127) MIN. NICKEL PLATE.
D = .000100/(0.00254) MIN. MATTE TIN OVER .000050/(0.00127) MIN. NICKEL PLATE.
 - PRODUCT SPECIFICATION: PS-43045
 - TAPE AND REEL PACK: SEE MOLEX DRAWING PK-70873-05**
 - MATES WITH MICRO FIT (3.0) RECEPTACLE SERIES 43025
 - TO MINIMIZE INSERTION FORCE OF MOUNTING CLIPS DURING ROBOTIC PLACEMENT THE HOLE DIAMETER SHOULD BE INCREASED TO .108±.002 / 2.74±0.05 AND THEN EVALUATED PER PLACEMENT EQUIPMENT.
 - THE COPLANARITY DIMENSION IS ESTABLISHED BY PLACING THE ASSEMBLY ON A FLAT SURFACE. THE DISTANCE FROM THAT SURFACE TO THE BOTTOM OF ANY TERMINAL MUST NOT EXCEED .006/0.15
 - CIRCUIT SIZES 2-6: 'D' IS .265/6.74 FOR .010/0.25 STEP.
CIRCUIT SIZES 8-24: 'D' IS .063/1.60 FOR .010/0.25 STEP.
 - TO AVOID INTERFERENCE BETWEEN RECEPTACLE AND PCB, HEADER MUST BE PLACED WITHIN .400/(10.16) MAX. FROM EDGE OF PCB, AS SHOWN IN LOCATION DETAIL.
 - METAL TAB MAY BE FLUSH WITH PCB.
 - THIS PART CONFORMS TO CLASS B REQUIREMENTS OF COSMETIC SPECIFICATION PS-45499-002.

| CKTS | MATERIAL NO: | FINISH A | VOID CKT | FINISH B | FINISH C | FINISH D |
|------|--------------|----------|--------------|------------|------------|------------|
| 02 | 43045-0206 | | | 43045-0207 | 43045-0208 | 43045-0303 |
| 04 | 43045-0406 | | | 43045-0407 | 43045-0408 | 43045-0503 |
| 06 | 43045-0606 | | | 43045-0607 | 43045-0608 | 43045-0703 |
| 08 | 43045-0806 | | | 43045-0807 | 43045-0808 | 43045-0903 |
| 10 | 43045-1006 | | | 43045-1007 | 43045-1008 | 43045-1103 |
| 12 | 43045-1206 | | | 43045-1207 | 43045-1208 | 43045-1303 |
| 14 | 43045-1406 | | | 43045-1407 | 43045-1408 | 43045-1503 |
| 16 | 43045-1606 | | | 43045-1607 | 43045-1608 | 43045-1703 |
| 18 | 43045-1806 | | | 43045-1807 | 43045-1808 | 43045-1903 |
| 20 | 43045-2006 | | | 43045-2007 | 43045-2008 | 43045-2103 |
| 22 | 43045-2206 | | | 43045-2207 | 43045-2208 | 43045-2303 |
| 24 | 43045-2406 | | | 43045-2407 | 43045-2408 | 43045-2503 |
| 12 | 43045-9206 | | 3.4 9.10 | | | |
| 16 | 43045-9606 | | 4.5 12.13 | | | |



| | | | | | | | | | |
|--|--------------------------------------|---------------------------------------|-----------------|---|-----------------|--|---------------------|------------------------|--|
| REVISE FINISH A EC NO: UCP2016-2797 DRAWN: SIAFTER 2016/01/15 CHKD: JDOX 2016/01/15 APPROV: SMITH 2016/02/26 | QUALITY SYMBOLS ▽=0 ▽=0 ▽=0 | GENERAL TOLERANCES (UNLESS SPECIFIED) | | DIMENSION STYLE IN/MM | | SCALE --- | DESIGN UNITS METRIC | THIRD ANGLE PROJECTION | |
| | | 4 PLACES ± .010 | 3 PLACES ± .010 | DRAWN BY SAMIEC | DATE 2000/03/15 | TITLE MICRO FIT (3.0) DUAL ROW RIGHT ANGLE SMT HEADER W/CLIPS ASS'Y molex DOCUMENT NO. SD-43045-003 SHEET NO. 1 OF 1 | | | |
| | | 2 PLACES ± 0.25 | 1 PLACE ± 0.36 | CHECKED BY MUELLER | DATE 2000/03/15 | | | | |
| | | 0 PLACE ± .010 | | APPROVED BY SMITH | DATE 2016/02/26 | | | | |
| ANGULAR ± 1/2° | | MATERIAL NO. SEE CHART | | | | | | | |
| DRAFT WHERE APPLICABLE MUST REMAIN WITHIN DIMENSIONS | | SIZE C | | THIS DRAWING CONTAINS INFORMATION THAT IS PROPRIETARY TO MOLEX INCORPORATED AND SHOULD NOT BE USED WITHOUT WRITTEN PERMISSION | | | | | |