

Excellent Integrated System Limited

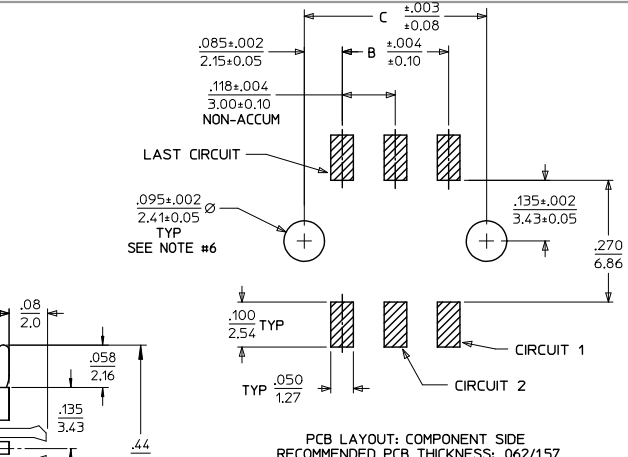
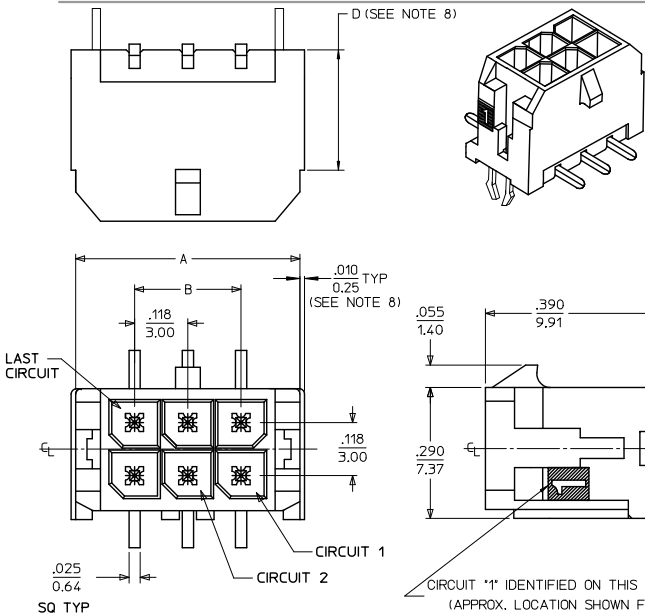
Stocking Distributor

Click to view price, real time Inventory, Delivery & Lifecycle Information:

[Molex Connector Corporation](#)
[0430451216](#)

For any questions, you can email us directly:

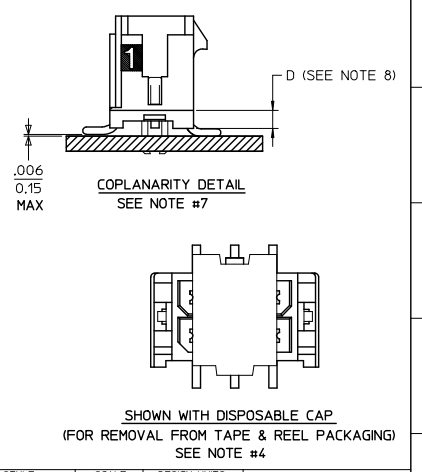
sales@integrated-circuit.com



| CKTS | A | B | C |
|------|----------------|----------------|----------------|
| 02 | .262 6.65 | | .169 4.30 |
| 04 | .380 9.65 | .118 3.00 | .287 7.30 |
| 06 | .498 12.65 | .236 6.00 | .405 10.30 |
| 08 | .616 15.65 | .354 9.00 | .524 13.30 |
| 10 | .734 18.65 | .472 12.00 | .642 16.30 |
| 12 | .852 21.65 | .591 15.00 | .760 19.30 |
| 14 | .970 24.65 | .709 18.00 | .878 22.30 |
| 16 | 1.088 27.65 | .827 21.00 | .996 25.30 |
| 18 | 1.206 30.65 | .945 24.00 | 1.114 28.30 |
| 20 | 1.325 33.65 | 1.063 27.00 | 1.232 31.30 |
| 22 | 1.443 36.65 | 1.181 30.00 | 1.350 34.30 |
| 24 | 1.561 39.65 | 1.299 33.00 | 1.469 37.30 |

- NOTES:**
- HOUSING MATERIAL: GLASS FILLED LIQUID CRYSTAL POLYMER, UL94V-0, COLOR: BLACK
TERMINAL MATERIAL: BRASS ALLOY
 - FINISH: A = .000060/(0.00152) MIN. REFLOW MATTE TIN OVER .000050/(0.00127) MIN. NICKEL PLATE. (FINISH IS BRIGHT IN APPEARANCE, THICKNESS AS APPLIED PRIOR TO REFLOW)
B = .000015/(0.00038) MIN. SELECT GOLD IN CONTACT AREA, .000100/(0.00254) MIN. SELECT MATTE TIN ON SOLDER TAILS, BOTH OVER .000050/(0.00127) MIN. NICKEL PLATE.
C = .000030/(0.00076) MIN. SELECT GOLD IN CONTACT AREA, .000100/(0.00254) MIN. SELECT MATTE TIN ON SOLDER TAILS, BOTH OVER .000050/(0.00127) MIN. NICKEL PLATE.
 - PRODUCT SPECIFICATION: PS-43045
 - TAPE AND REEL PACK : SEE MOLEX DRAWING PK-70873-05**
 - MATES WITH MICRO FIT (3.0) RECEPTACLE SERIES 43025
 - TO MINIMIZE INSERTION FORCE OF MOUNTING CLIPS DURING ROBOTIC PLACEMENT THE HOLE DIAMETER SHOULD BE INCREASED TO .108±.002 / 2.74±0.05 AND THEN EVALUATED PER PLACEMENT EQUIPMENT.
 - THE COPLANARITY DIMENSION IS ESTABLISHED BY PLACING THE ASSEMBLY ON A FLAT SURFACE. THE DISTANCE FROM THAT SURFACE TO THE BOTTOM OF ANY TERMINAL MUST NOT EXCEED .006/0.15
 - CIRCUIT SIZES 2-6: 'D' IS 0.265/6.74 FOR .010/0.25 STEP.
CIRCUIT SIZES 8-24: 'D' IS .063/1.60 FOR .010/0.25 STEP.
 - THIS PART CONFORMS TO CLASS B REQUIREMENTS OF COSMETIC SPECIFICATION PS-45499-002.

| CKTS | FINISH A | FINISH B | FINISH C |
|------|--------------|--------------|--------------|
| | MATERIAL NO: | MATERIAL NO: | MATERIAL NO: |
| 02 | 43045-0215 | 43045-0216 | 43045-0217 |
| 04 | 43045-0415 | 43045-0416 | 43045-0417 |
| 06 | 43045-0615 | 43045-0616 | 43045-0617 |
| 08 | 43045-0815 | 43045-0816 | 43045-0817 |
| 10 | 43045-1015 | 43045-1016 | 43045-1017 |
| 12 | 43045-1215 | 43045-1216 | 43045-1217 |
| 14 | 43045-1415 | 43045-1416 | 43045-1417 |
| 16 | 43045-1615 | 43045-1616 | 43045-1617 |
| 18 | 43045-1815 | 43045-1816 | 43045-1817 |
| 20 | 43045-2015 | 43045-2016 | 43045-2017 |
| 22 | 43045-2215 | 43045-2216 | 43045-2217 |
| 24 | 43045-2415 | 43045-2416 | 43045-2417 |



| | | | | | | | |
|---|---------------------|--|--|---|---------------------------|------------------------------|---------------------|
| REVISE FINISH A DEC NO: UCP/2016-04/24 2015/08/20 DRAWN: JPOX CHKD: SMOSEK APPROV: SMITH 2015/11/19 | QUALITY SYMBOLS | GENERAL TOLERANCES (UNLESS SPECIFIED) mm INCH | DIMENSION STYLE IN/MM | SCALE --- | DESIGN UNITS METRIC | THIRD ANGLE PROJECTION | |
| | | 4 PLACES ± --- ± --- 3 PLACES ± --- ± .010 2 PLACES ± 0.25 ± .014 1 PLACE ± 0.36 ± --- 0 PLACE ± ± | DRAWN BY DATE SAMIEC 2000/03/15 CHECKED BY DATE MUELLER 2000/03/15 APPROVED BY DATE EDGLEY 2000/03/15 | TITLE MICRO FIT (3.0) DUAL ROW VERTICAL SMT HEADER W/CLIPS ASS'Y molex | MATERIAL NO. SEE CHART | DOCUMENT NO. SD-43045-006 | SHEET NO. 1 OF 1 |
| | | ANGLULAR ±1/2° DRAFT WHERE APPLICABLE MUST REMAIN WITHIN DIMENSIONS | THIS DRAWING CONTAINS INFORMATION THAT IS PROPRIETARY TO MOLEX INCORPORATED AND SHOULD NOT BE USED WITHOUT WRITTEN PERMISSION | | | | |