

Excellent Integrated System Limited

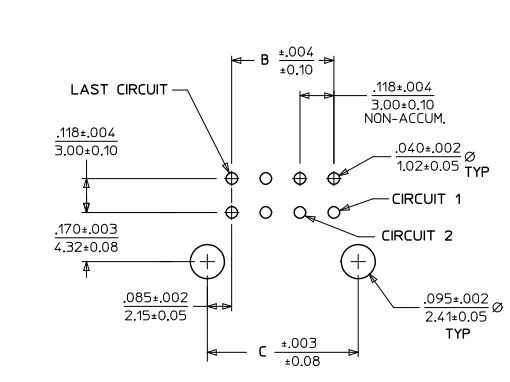
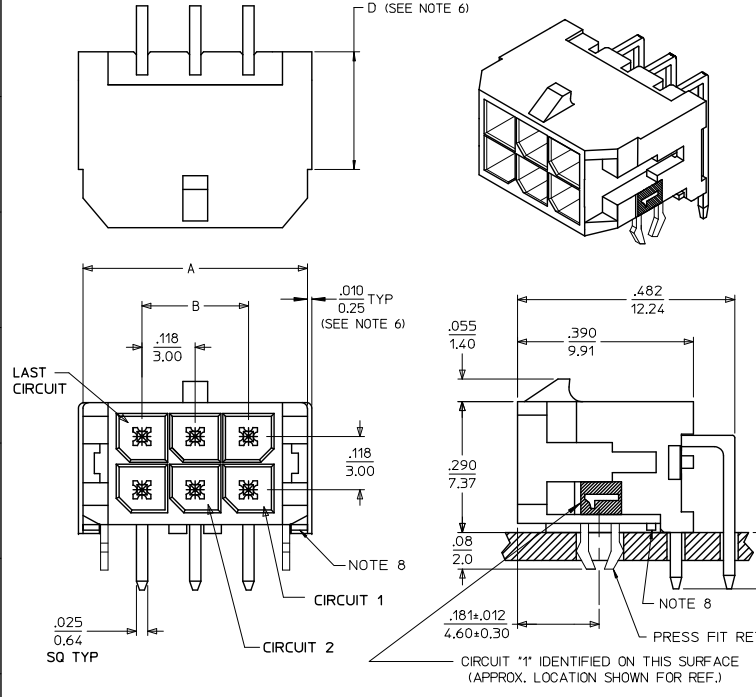
Stocking Distributor

Click to view price, real time Inventory, Delivery & Lifecycle Information:

[Molex Connector Corporation](#)
[0430452222](#)

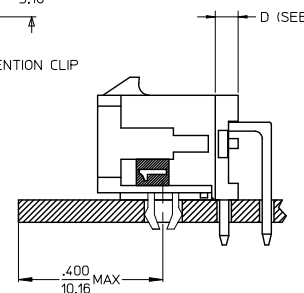
For any questions, you can email us directly:

sales@integrated-circuit.com



PCB LAYOUT: COMPONENT SIDE
RECOMMEND PCB THICKNESS: .062/157

- NOTES:
- HOUSING MATERIAL: GLASS FILLED LIQUID CRYSTAL POLYMER UL94V-0. COLOR: BLACK
TERMINAL MATERIAL: BRASS ALLOY
 - FINISH: A = .000060/(0.00152) MIN. REFLOWED MATTE TIN OVER .000050/(0.00127) MIN. NICKEL PLATE (FINISH IS BRIGHT IN APPEARANCE, THICKNESS AS APPLIED PRIOR TO REFLOW).
B = .000015/(0.00038) MIN SELECT GOLD IN CONTACT AREA, .000100/(0.00254) MIN. SELECT MATTE TIN ON SOLDER TAILS, BOTH OVER .000050/(0.00127) MIN. NICKEL PLATE
C = .000030/(0.00076) MIN SELECT GOLD IN CONTACT AREA, .000100/(0.00254) MIN. SELECT MATTE TIN ON SOLDER TAILS, BOTH OVER .000050/(0.00127) MIN. NICKEL PLATE
 - PRODUCT SPECIFICATION: PS-43045
 - TRAY PACKAGED: SEE MOLEX DRAWING PK-70873-0313
 - MATES WITH MICRO-FIT (3.0) RECEPTACLE SERIES 43025
 - CIRCUIT SIZES 2-6: 'D' IS .265/6.74 FOR .010/(0.25) STEP
CIRCUIT SIZES 8-24: 'D' IS .063/(1.60) FOR .010/(0.25) STEP
 - TO AVOID INTERFERENCE BETWEEN RECEPTACLE AND PCB, HEADER MUST BE PLACED WITHIN .400/(10.16) MAX. FROM EDGE OF PCB, ASH SHOWN IN LOCATION DETAIL.
 - METAL TAB MAY BE FLUSH WITH PCB
 - THIS PART CONFORMS TO CLASS B REQUIREMENTS OF COSMETIC SPECIFICATION PS-45499-002.



LOCATION DETAIL
SEE NOTE #7

CKTS	A	B	C
02	.262 6.65	NA	.169 4.30
04	.380 9.65	.118 3.00	.287 7.30
06	.498 12.65	.236 6.00	.405 10.30
08	.616 15.65	.354 9.00	.524 13.30
10	.734 18.65	.472 12.00	.642 16.30
12	.852 21.65	.591 15.00	.760 19.30
14	.970 24.65	.709 18.00	.878 22.30
16	1.088 27.65	.827 21.00	.996 25.30
18	1.206 30.65	.945 24.00	1.114 28.30
20	1.325 33.65	1.063 27.00	1.232 31.30
22	1.443 36.65	1.181 30.00	1.350 34.30
24	1.561 39.65	1.299 33.00	1.469 37.30

CKTS	FINISH		
	MATERIAL NO:	MATERIAL NO:	MATERIAL NO:
02	43045-0221	43045-0222	43045-0223
04	43045-0421	43045-0422	43045-0423
06	43045-0621	43045-0622	43045-0623
08	43045-0821	43045-0822	43045-0823
10	43045-1021	43045-1022	43045-1023
12	43045-1221	43045-1222	43045-1223
14	43045-1421	43045-1422	43045-1423
16	43045-1621	43045-1622	43045-1623
18	43045-1821	43045-1822	43045-1823
20	43045-2021	43045-2022	43045-2023
22	43045-2221	43045-2222	43045-2223
24	43045-2421	43045-2422	43045-2423

REVISE FINISH A EC NO: UCP2016-2797 DRAWN: SLAFTER 2016/01/15 CHKD: JBOY 2016/01/15 APPROV: SMITH 2016/02/26	QUALITY SYMBOLS □=0 ▽=0 ▽=0	GENERAL TOLERANCES (UNLESS SPECIFIED) mm INCH 4 PLACES ± --- ± --- 3 PLACES ± --- ± .010 2 PLACES ± 0.25 ± .014 1 PLACE ± 0.36 ± --- 0 PLACE ± --- ± --- ANGULAR ±1/2° DRAFT WHERE APPLICABLE MUST REMAIN WITHIN DIMENSIONS	DIMENSION STYLE IN/MM DRAWN BY DATE SAMIEC 2000/03/15 CHECKED BY DATE MUELLER 2000/03/15 APPROVED BY DATE F SMITH 2016/02/26	SCALE --- DESIGN UNITS METRIC THIRD ANGLE PROJECTION	MICRO FIT (3.0) DUAL ROW RIGHT ANGLE THRU HOLE HEADER W/CLIPS molex	MATERIAL NO. SEE CHART DOCUMENT NO. SD-43045-008	SHEET NO. 1 OF 1								
								THIS DRAWING CONTAINS INFORMATION THAT IS PROPRIETARY TO MOLEX INCORPORATED AND SHOULD NOT BE USED WITHOUT WRITTEN PERMISSION							
								H3							
								REV							