

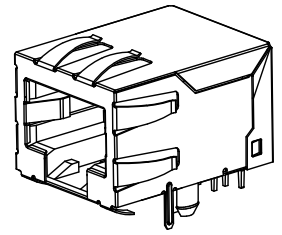
Excellent Integrated System Limited

Stocking Distributor

Click to view price, real time Inventory, Delivery & Lifecycle Information:

[Molex Connector Corporation](#)
[0432028908](#)

For any questions, you can email us directly:
sales@integrated-circuit.com



SHIELDED MODULAR JACK SHOWN WITH PANEL GROUND OPTION 'D' AND FRONT PCB GROUND TABS.

NOTES:

- 1) MATERIAL:
 - HOUSING: NYLON(PA), GLASS FILLED, UL94V-0, COLOR: SEE SHEETS 5 AND 6
 - INSULATOR: NYLON(PA), GLASS FILLED, UL94V-0, COLOR: SEE SHEETS 5 AND 6
 - TERMINALS: PHOSPHOR BRONZE, .012/ 0.30 THICK
 - SHIELD: BRASS, .007/ 0.18 THICK
- 2) FINISH:
 - TERMINALS:
 - A = SELECT GOLD IN CONTACT AREA: 50 MICROINCHES / 1.27 MICROMETERS MIN., *SELECT TIN IN PC TAIL AREA: 100 MICROINCHES / 2.54 MICROMETERS MIN., WITH OVERALL NICKEL UNDERPLATE: 50 MICROINCHES / 1.27 MICROMETERS MIN.
 - B = SELECT GOLD IN CONTACT AREA: 30 MICROINCHES / 0.76 MICROMETERS MIN., *SELECT TIN IN PC TAIL AREA: 100 MICROINCHES / 2.54 MICROMETERS MIN., WITH OVERALL NICKEL UNDERPLATE: 50 MICROINCHES / 1.27 MICROMETERS MIN. *THE PRIMARY SHIPPING CARTON WILL BE LABELED "COMPLIANT TO RoHS DIRECTIVE 2002/95/EC AND ELV ANNEX II OF DIRECTIVE 2000/53/EC". CARTONS WITHOUT THIS LABEL MAY CONTAIN PRODUCT WITH TIN-LEAD IN THE PC TAILS AND/OR SHIELD.
 - SHIELD:
 - 100 MICROINCHES / 2.54 MICROMETERS NICKEL OVER 50 MICROINCHES / 1.27 MICROMETERS COPPER UNDERPLATE PCB GROUND TABS DIPPED IN TIN
- 3) PRODUCT SPECIFICATION AND PROCESSING PARAMETERS: PS-43202.
- 4) PACKAGING SPECIFICATION:
 - UNSHIELDED CONNECTOR ASSEMBLIES PACKAGED IN THERMOFORMED TRAYS PER MOLEX PACKAGING SPECIFICATION PK-43202-003.
 - UNSHIELDED CONNECTOR ASSEMBLIES PACKAGED IN TUBES PER MOLEX PACKAGING SPECIFICATION PK-43202-005.
 - SHIELDED CONNECTOR ASSEMBLIES PACKAGED IN THERMOFORMED TRAYS PER MOLEX PACKAGING SPECIFICATION PK-43202-004.
- 5) SEE SHEETS 7 - 9 FOR P.C. BOARD LAYOUTS.
- 6) CONFORMS TO FCC REGULATION PART 68.5 FOR MODULAR JACKS.
- 7) THIS PART CONFORMS TO CLASS B REQUIREMENTS OF COSMETIC SPECIFICATION PS-45499-002.

DRAWING LEGEND

- SHEET 1- NOTES, DRAWING LEGEND
- SHEET 2- SHIELDED MODULAR JACK W/ BOTTOM GROUND TABS
- SHEET 3- SHIELDED MODULAR JACK W/O BOTTOM GROUND TABS
- SHEET 4- UNSHIELDED MODULAR JACK
- SHEET 5- PART NUMBER CHARTS
- SHEET 6- PART NUMBER CHARTS
- SHEET 7- FOOTPRINT LAYOUT FOR 4 POSITION HOUSING
- SHEET 8- FOOTPRINT LAYOUT FOR 6 POSITION HOUSING
- SHEET 9- FOOTPRINT LAYOUT FOR 8 POSITION HOUSING

ADD VIEWS EC NO: UCP2012-2472 2012/02/09 DRAWING BY CHKD: JELL 2012/02/09 APPROV: SMITH 2012/02/09	DESCRIPTION REV	QUALITY SYMBOLS ∇=0 ∇=0 ∇=0	GENERAL TOLERANCES (UNLESS SPECIFIED)		DIMENSION STYLE IN/MM		SCALE 4:1	DESIGN UNITS INCH	THIRD ANGLE PROJECTION		
			4 PLACES ± --- ± ---	3 PLACES ± --- ± .010	2 PLACES ± 0.25 ± .014	1 PLACE ± 0.36 ± ---	ANGULAR ± 1/2°	DRAWN BY JTR	DATE 1993/03/31	CHECKED BY JTR	DATE 1993/03/31
			DRAFT WHERE APPLICABLE MUST REMAIN WITHIN DIMENSIONS		SEE SHTS 5&6		MATERIAL NO.		DOCUMENT NO.		SHEET NO.
											1 OF 9

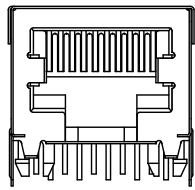
ULTRA LOW PROFILE
RIGHT ANGLE MODULAR JACK
ASSEMBLY

MOLEX INCORPORATED

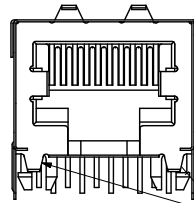
SHIELDED MODULAR JACK W/BOTTOM GROUND TABS

SIZE 8 LOADED 10 VERSION SHOWN

SIDE/TOP GROUND TAB OPTIONS FOR SHIELDS



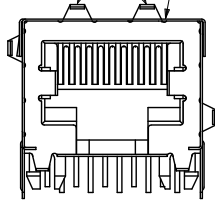
OPTION "A"
NO TOP OR SIDE TABS



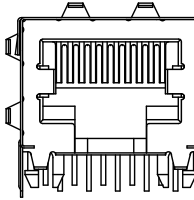
OPTION "B"
TOP TABS

OPTIONAL TOP GROUND TABS

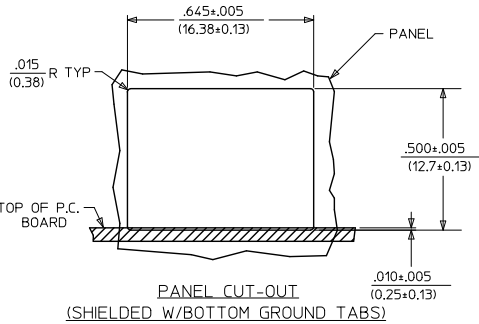
SHIELDED MODULAR JACK ASSEMBLY
SEE SHEET 5 FOR MATERIAL NO.



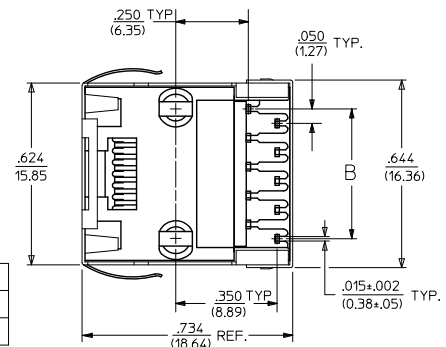
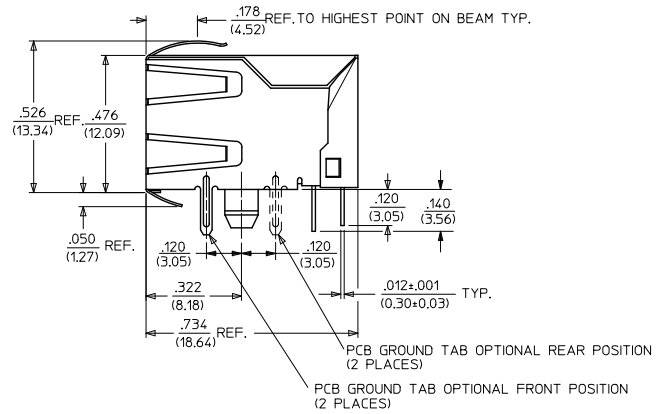
OPTION "C"
TOP AND STAGGERED SIDE TABS



OPTION "D"
TOP AND SIDE TABS



HOUSING SIZE	CIRCUIT SIZE	B
8	10	.450±.005 11.43±.13
8	8	.350±.005 8.89±.13

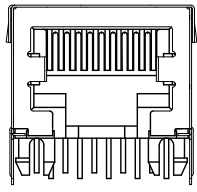


QUALITY SYMBOLS	GENERAL TOLERANCES (UNLESS SPECIFIED)		DIMENSION STYLE		SCALE	DESIGN UNITS	THIRD ANGLE PROJECTION
	mm	INCH	IN/MM	DATE			
▽=0	4 PLACES ±---	±---	DRAWN BY	1993/03/31	4:1	INCH	ULTRA LOW PROFILE RIGHT ANGLE MODULAR JACK ASSEMBLY
▽=0	3 PLACES ±---	±.010	CHECKED BY	DATE			
▽=0	2 PLACES ±0.25	±.014	JTR	1993/03/31	MOLEX INCORPORATED		
▽=0	1 PLACE ±0.36	±---	APPROVED BY	DATE			
	ANGULAR ±1/2°		FSMITH	2012/02/09	SDA-43202		
	DRAFT WHERE APPLICABLE MUST REMAIN WITHIN DIMENSIONS		SEE SHEET 5		SHEET NO. 2 OF 9		
	THIS DRAWING CONTAINS INFORMATION THAT IS PROPRIETARY TO MOLEX INCORPORATED AND SHOULD NOT BE USED WITHOUT WRITTEN PERMISSION						

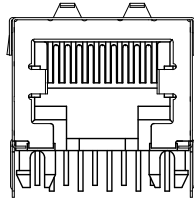
SHIELDED MODULAR JACK W/O BOTTOM GROUND TABS

SIZE 8, LOADED 10 VERSION SHOWN

SIDE/TOP GROUND TAB OPTIONS FOR SHIELDS

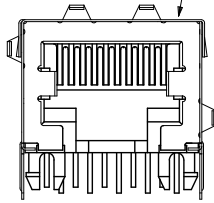


OPTION "E"
NO TOP OR SIDE TABS

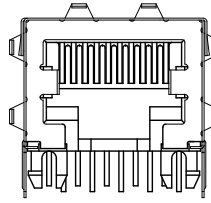


OPTION "F"
TOP TABS

OPTIONAL TOP GROUND TABS
SHIELDED MODULAR JACK ASSEMBLY
SEE SHEET 6 FOR MATERIAL NO.

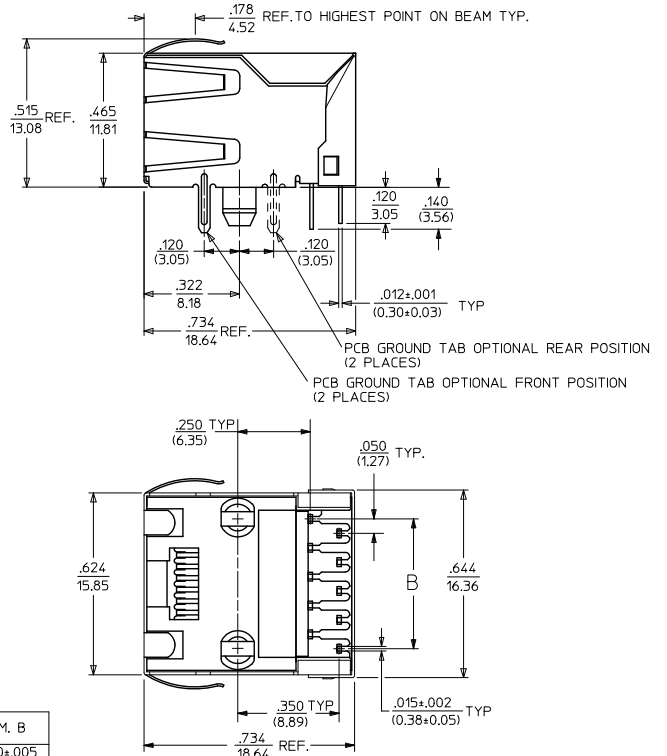
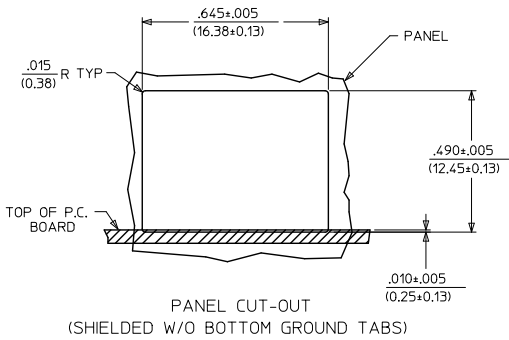


OPTION "G"
TOP AND STAGGERED SIDE TABS

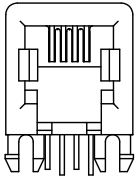


OPTION "H"
TOP AND SIDE TABS

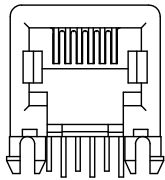
HOUSING SIZE	CIRCUIT SIZE	DIM. B
8	10	.450±.005 (11.43±0.13)
8	8	.350±.005 (8.89±0.13)



QUALITY SYMBOLS	GENERAL TOLERANCES (UNLESS SPECIFIED)		DIMENSION STYLE		SCALE	DESIGN UNITS	THIRD ANGLE PROJECTION
	mm	INCH	IN/MM	DATE			
▽=0	4 PLACES ±---	±---	DRAWN BY	1993/03/31	4:1	INCH	TITLE
▽=0	3 PLACES ±---	±.010	CHECKED BY	DATE			
▽=0	2 PLACES ±0.25	±.014	APPROVED BY	DATE	ULTRA LOW PROFILE RIGHT ANGLE MODULAR JACK ASSEMBLY		
▽=0	1 PLACE ±0.36	±---	FSMITH	2012/02/09	MOLEX INCORPORATED		
	ANGULAR ±1/2°		MATERIAL NO.		DOCUMENT NO.		
			SEE SHEET 6		SDA-43202		
			DRAFT WHERE APPLICABLE MUST REMAIN WITHIN DIMENSIONS		SHEET NO. 3 OF 9		
			THIS DRAWING CONTAINS INFORMATION THAT IS PROPRIETARY TO MOLEX INCORPORATED AND SHOULD NOT BE USED WITHOUT WRITTEN PERMISSION				



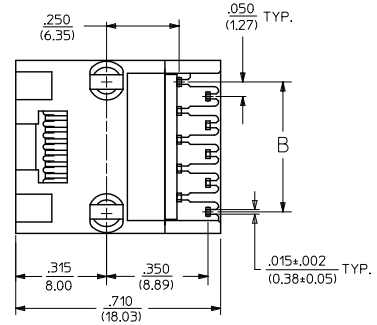
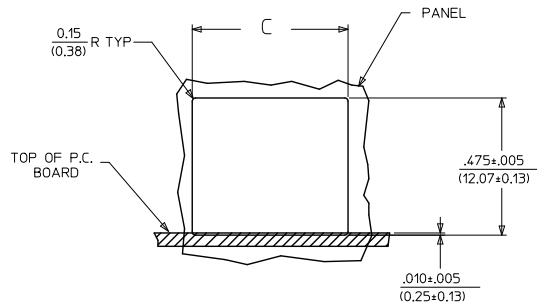
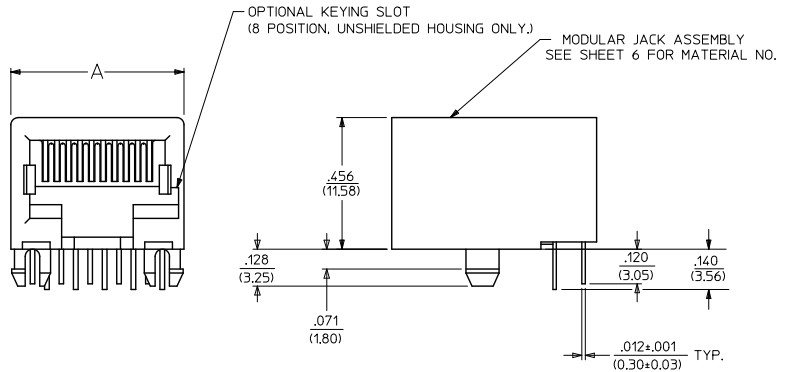
SIZE 4
LOADED 4 SHOWN



SIZE 6
LOADED 6 SHOWN

UNSHIELDED MODULAR JACKS

SIZE 8, LOADED 10 SHOWN



HOUSING SIZE	LOADED CIRCUITS	A	B	C
4	4	.440 (11.18)	.150±.005 (3.81±0.13)	.460±.005 (11.68±0.13)
4	2	.440 (11.18)	.050±.005 (1.27±0.13)	.460±.005 (11.68±0.13)
6	6	.520 (13.21)	.250±.005 (6.35±0.13)	.540±.005 (13.72±0.13)
6	4	.520 (13.21)	.150±.005 (3.81±0.13)	.540±.005 (13.72±0.13)
6	2	.520 (13.21)	.050±.005 (1.27±0.13)	.540±.005 (13.72±0.13)
8	10	.600 (15.24)	.450±.005 (11.43±0.13)	.620±.005 (15.75±0.13)
8	8	.600 (15.24)	.350±.005 (8.89±0.13)	.620±.005 (15.75±0.13)
8	6	.600 (15.24)	.250±.005 (6.35±0.13)	.620±.005 (15.75±0.13)
8	4	.600 (15.24)	.150±.005 (3.81±0.13)	.620±.005 (15.75±0.13)
8	2	.600 (15.24)	.050±.005 (1.27±0.13)	.620±.005 (15.75±0.13)

SEE SHEET 1 EC NO: UCP202-2472 DRAWN: NGUYEN CHKD: BELL APPR: SMITH L5	QUALITY SYMBOLS ∇=0 ∇=0 ∇=0	GENERAL TOLERANCES (UNLESS SPECIFIED)		DIMENSION STYLE IN/MM		SCALE 4:1	DESIGN UNITS INCH	THIRD ANGLE PROJECTION	
		4 PLACES ± --- ± ---	3 PLACES ± --- ± .010	DRAWN BY JTR	DATE 1993/03/31	TITLE ULTRA LOW PROFILE RIGHT ANGLE MODULAR JACK ASSEMBLY			
		2 PLACES ± 0.25 ± .014	1 PLACE ± 0.36 ± ---	CHECKED BY JTR	DATE 1993/03/31	APPROVED BY F SMITH			
		ANGULAR ± 1/2°		MATERIAL NO. SEE SHEET 6		DOCUMENT NO. SDA-43202		SHEET NO. 4 OF 9	
DRAFT WHERE APPLICABLE MUST REMAIN WITHIN DIMENSIONS				THIS DRAWING CONTAINS INFORMATION THAT IS PROPRIETARY TO MOLEX INCORPORATED AND SHOULD NOT BE USED WITHOUT WRITTEN PERMISSION					

SHIELDED MODULAR JACKS W/BOTTOM GROUND TABS (SHEET 2)

ASSEMBLY MATERIAL NUMBER	CONNECTOR SIZE	NUMBER OF CIRCUITS	SIDE/TOP PANEL GROUND TAB OPTION	PCB GROUND TAB OPTION	TERMINAL PLATING OPTION	PACKAGING OPTION	HOUSING COLOR
43202-8900	8	10	A	FRONT POSITION	A	TRAY	BLACK
43202-8901	8	10	B	FRONT POSITION	A	TRAY	
43202-8902	8	10	C	FRONT POSITION	A	TRAY	
43202-8903	8	10	D	FRONT POSITION	A	TRAY	
43202-8908	8	10	A	REAR POSITION	A	TRAY	
43202-8909	8	10	B	REAR POSITION	A	TRAY	
43202-8910	8	10	C	REAR POSITION	A	TRAY	
43202-8911	8	10	D	REAR POSITION	A	TRAY	
43202-8916	8	8	A	FRONT POSITION	A	TRAY	
43202-8917	8	8	B	FRONT POSITION	A	TRAY	
43202-8918	8	8	C	FRONT POSITION	A	TRAY	
43202-8919	8	8	D	FRONT POSITION	A	TRAY	
43202-8924	8	8	A	REAR POSITION	A	TRAY	
43202-8925	8	8	B	REAR POSITION	A	TRAY	
43202-8926	8	8	C	REAR POSITION	A	TRAY	
43202-8927	8	8	D	REAR POSITION	A	TRAY	

SEE SHEET 1 EC NO: UCP2012-2472 2012/02/09 DRAWING/EN CHKD: BELL 2012/02/09 APPR: SMITH 2012/02/09	QUALITY SYMBOLS ▽=0 ▽=0 ▽=0	GENERAL TOLERANCES (UNLESS SPECIFIED)		DIMENSION STYLE IN/MM		SCALE 4:1	DESIGN UNITS INCH	THIRD ANGLE PROJECTION	
		4 PLACES ± --- ± ---	mm	INCH	DRAWN BY JTR	DATE 1993/03/31	TITLE ULTRA LOW PROFILE RIGHT ANGLE MODULAR JACK ASSEMBLY		
		3 PLACES ± --- ± .010			CHECKED BY JTR	DATE 1993/03/31	MOLEX INCORPORATED		
		2 PLACES ± 0.25 ± .014			APPROVED BY F SMITH	DATE 2012/02/09	SDA-43202		
		1 PLACE ± 0.36 ± ---	ANGULAR ± 1/2°		MATERIAL NO. SEE CHART		DOCUMENT NO.	SHEET NO. 5 OF 9	
DRAFT WHERE APPLICABLE MUST REMAIN WITHIN DIMENSIONS				THIS DRAWING CONTAINS INFORMATION THAT IS PROPRIETARY TO MOLEX INCORPORATED AND SHOULD NOT BE USED WITHOUT WRITTEN PERMISSION					

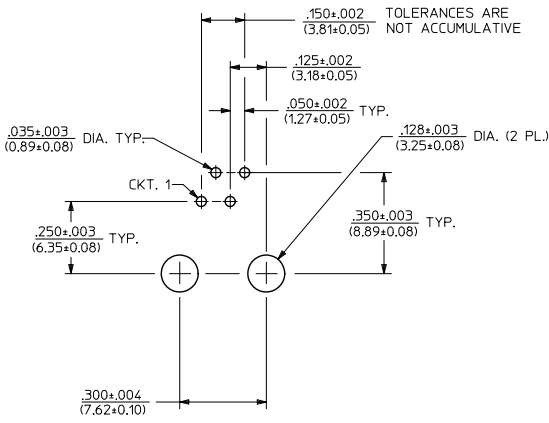
SHIELDED MODULAR JACKS W/O BOTTOM GROUND TABS (SHEET 3)

ASSEMBLY MATERIAL NUMBER	CONNECTOR SIZE	NUMBER OF CIRCUITS	SIDE/TOP PANEL GROUND TAB OPTION	PCB GROUND TAB OPTION	TERMINAL PLATING OPTION	PACKAGING	HOUSING COLOR
43202-8800	8	10	E	FRONT POSITION	A	TRAY	BLACK
43202-8801	8	10	F	FRONT POSITION	A	TRAY	
43202-8802	8	10	G	FRONT POSITION	A	TRAY	
43202-8803	8	10	H	FRONT POSITION	A	TRAY	
43202-8808	8	10	E	REAR POSITION	A	TRAY	
43202-8809	8	10	F	REAR POSITION	A	TRAY	
43202-8810	8	10	G	REAR POSITION	A	TRAY	
43202-8811	8	10	H	REAR POSITION	A	TRAY	
43202-8816	8	8	E	FRONT POSITION	A	TRAY	
43202-8817	8	8	F	FRONT POSITION	A	TRAY	
43202-8818	8	8	G	FRONT POSITION	A	TRAY	
43202-8819	8	8	H	FRONT POSITION	A	TRAY	
43202-8824	8	8	E	REAR POSITION	A	TRAY	
43202-8825	8	8	F	REAR POSITION	A	TRAY	
43202-8826	8	8	G	REAR POSITION	A	TRAY	
43202-8827	8	8	H	REAR POSITION	A	TRAY	

UNSHIELDED MODULAR JACKS- (SHEET 4)

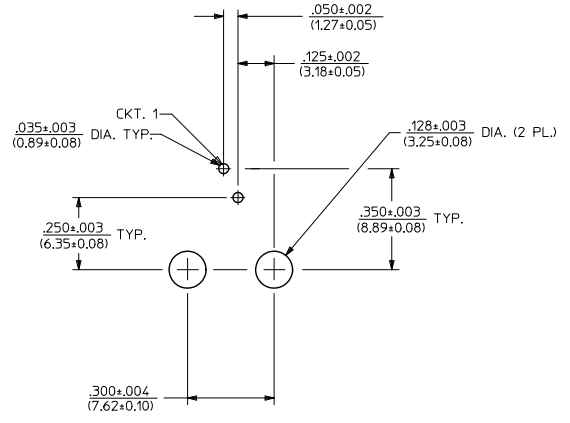
ASSEMBLY MATERIAL NUMBER	CONNECTOR SIZE	NUMBER OF CIRCUITS	TERMINAL PLATING OPTION	KEYING OPTION	PACKAGING OPTION	HOUSING COLOR	
43202-4101	4	4	A	NO	TRAY	BLACK	
43202-4104	4	2	A	NO	TRAY		
43202-6101	6	6	A	NO	TRAY		
43202-6102	6	6	B	NO	TRAY		
43202-6104	6	4	A	NO	TRAY		
43202-6105	6	4	B	NO	TRAY		
43202-6107	6	2	A	NO	TRAY		
43202-6110	6	6	B	NO	TUBE		
43202-6113	6	2	A	NO	TRAY		
43202-6116	6	2	A	NO	TRAY		
43202-8101	8	10	A	NO	TRAY	ORANGE	
43202-8104	8	8	A	NO	TRAY	BLACK	
43202-8105	8	8	B	NO	TRAY		
43202-8113	8	8	A	YES	TRAY		
43202-8116	8	6	A	NO	TRAY		
43202-8119	8	4	A	NO	TRAY		
43202-8122	8	2	A	NO	TRAY		
43202-8125	8	8	A	NO	TRAY		BLUE
43202-8504	8	8	A	NO	TUBE		BLACK
43202-8513	8	8	A	YES	TUBE		

SEE SHEET 1 EC NO: UCP2012-2472 2012/02/09 DRAWING/REV CHKD: BELL 2012/02/09 APPR: SMITH 2012/02/09	QUALITY SYMBOLS ▽=0 ▽=0 ▽=0	GENERAL TOLERANCES (UNLESS SPECIFIED)		DIMENSION STYLE IN/MM		SCALE 4:1	DESIGN UNITS INCH	THIRD ANGLE PROJECTION	
		4 PLACES ± --- ± ---	3 PLACES ± --- ± .010	DRAWN BY JTR	DATE 1993/03/31	TITLE ULTRA LOW PROFILE RIGHT ANGLE MODULAR JACK ASSEMBLY			
		2 PLACES ± 0.25 ± .014	1 PLACE ± 0.36 ± ---	CHECKED BY JTR	DATE 1993/03/31	MOLEX INCORPORATED			
		ANGULAR ± 1/2°		APPROVED BY F SMITH	DATE 2012/02/09	MATERIAL NO. SEE CHART	DOCUMENT NO. SDA-43202	SHEET NO. 6 OF 9	
DRAFT WHERE APPLICABLE MUST REMAIN WITHIN DIMENSIONS		THIS DRAWING CONTAINS INFORMATION THAT IS PROPRIETARY TO MOLEX INCORPORATED AND SHOULD NOT BE USED WITHOUT WRITTEN PERMISSION							



PC BOARD LAYOUT FOR 4 POSITION HOUSING

(4 CIRCUIT FOOT PRINT SHOWN)
(COMPONENT SIDE OF BOARD)

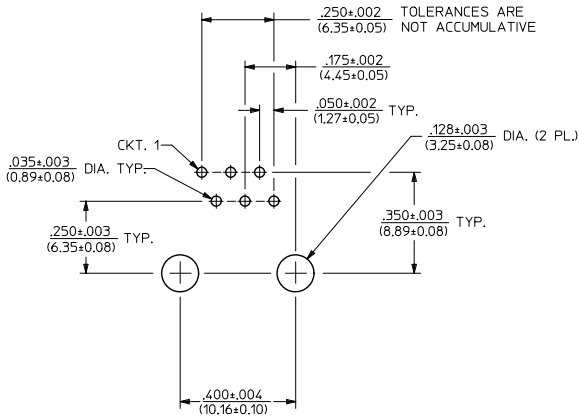


PC BOARD LAYOUT FOR 4 POSITION HOUSING

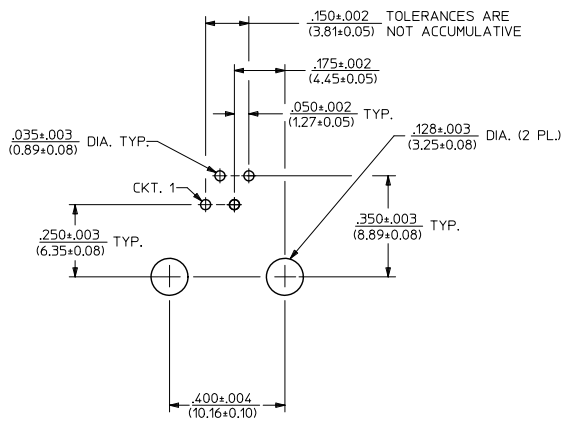
(2 CIRCUIT FOOT PRINT SHOWN)
(COMPONENT SIDE OF BOARD)

NOTES:
1. RECOMMENDED PCB THICKNESS: .062±.005/(1.57±0.13)

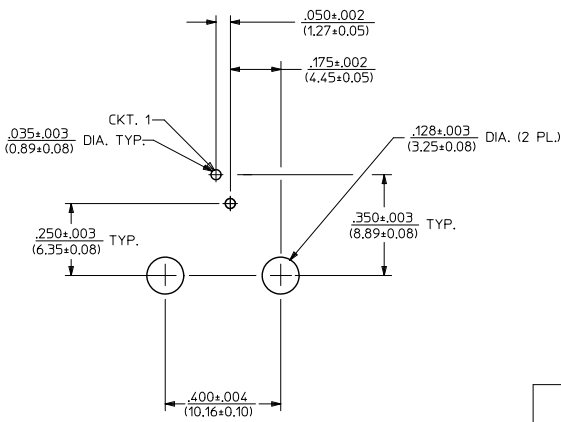
SEE SHEET 1 EC NO: UCP2012-2472 DRAWING NO: 2012/02/09 CHKD: BELL APPR: SMITH 2012/02/09	QUALITY SYMBOLS ▽=0 ▽=0 ▽=0	GENERAL TOLERANCES (UNLESS SPECIFIED)		DIMENSION STYLE IN/MM		SCALE 4:1	DESIGN UNITS INCH	THIRD ANGLE PROJECTION		
		4 PLACES ± --- ± ---	3 PLACES ± --- ± .010	2 PLACES ± 0.25 ± .014	1 PLACE ± 0.36 ± ---	ANGULAR ± 1/2°	DRAWN BY JTR DATE 1993/03/31	CHECKED BY JTR DATE 1993/03/31	APPROVED BY F SMITH DATE 2012/02/09	TITLE ULTRA LOW PROFILE RIGHT ANGLE MODULAR JACK ASSEMBLY
		DRAFT WHERE APPLICABLE MUST REMAIN WITHIN DIMENSIONS			MATERIAL NO. SEE SHEET 6	DOCUMENT NO. SDA-43202	SHEET NO. 7 OF 9	MOLEX INCORPORATED		
		THIS DRAWING CONTAINS INFORMATION THAT IS PROPRIETARY TO MOLEX INCORPORATED AND SHOULD NOT BE USED WITHOUT WRITTEN PERMISSION								



PC BOARD LAYOUT FOR 6 POSITION HOUSING
(6 CIRCUIT FOOT PRINT SHOWN)
(COMPONENT SIDE OF BOARD)



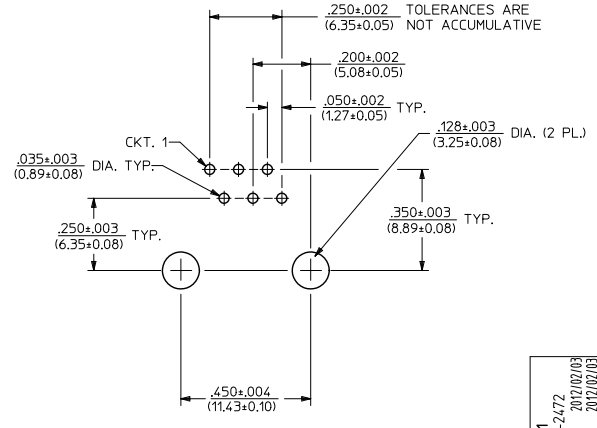
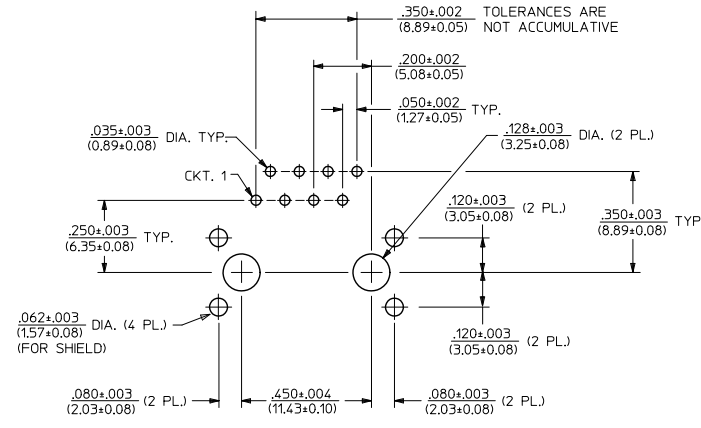
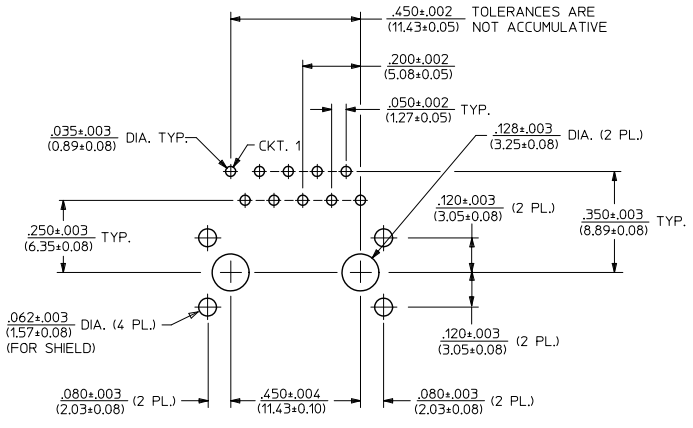
PC BOARD LAYOUT FOR 6 POSITION HOUSING
(4 CIRCUIT FOOT PRINT SHOWN)
(COMPONENT SIDE OF BOARD)



PC BOARD LAYOUT FOR 6 POSITION HOUSING
(2 CIRCUIT FOOT PRINT SHOWN)
(COMPONENT SIDE OF BOARD)

NOTES:
1. RECOMMENDED PCB THICKNESS: .062±.005/(1.57±0.13)

SEE SHEET 1 EC NO: UCP202-2472 2017/02/09 DRAWING: CHKD: BELL 2017/02/09 APPROV: SMITH 2017/02/09 DESCRIPTION: REV: L5	QUALITY SYMBOLS	GENERAL TOLERANCES (UNLESS SPECIFIED)	DIMENSION STYLE IN/MM	SCALE 4:1	DESIGN UNITS INCH	THIRD ANGLE PROJECTION
	▽=0	4 PLACES ± --- ± ---	DRAWN BY JTR DATE 1993/03/31	TITLE	MOLEX INCORPORATED	SDA-43202
	▽=0	3 PLACES ± --- ± .010	CHECKED BY JTR DATE 1993/03/31			
	▽=0	2 PLACES ± 0.25 ± .014	APPROVED BY F SMITH DATE 2012/02/09	MATERIAL NO.	DOCUMENT NO.	SHEET NO. 8 OF 9
		1 PLACE ± 0.36 ± ---	ANGULAR ± 1/2°	THIS DRAWING CONTAINS INFORMATION THAT IS PROPRIETARY TO MOLEX INCORPORATED AND SHOULD NOT BE USED WITHOUT WRITTEN PERMISSION		



NOTES:
1. RECOMMENDED PCB THICKNESS: .062±.005/(1.57±0.13)

SEE SHEET 1 EC NO: UCP202-2472 DRAWING NO: 2012/02/09 CHKD: BELL APPR: SMITH REV: L5	QUALITY SYMBOLS	GENERAL TOLERANCES (UNLESS SPECIFIED)	DIMENSION STYLE	SCALE	DESIGN UNITS	THIRD ANGLE PROJECTION
	▽=0	4 PLACES ± --- ± ---	IN/MM	4:1	INCH	☉
	▽=0	3 PLACES ± --- ± .010	DRAWN BY DATE	TITLE		
	▽=0	2 PLACES ± 0.25 ± .014	CHECKED BY DATE	ULTRA LOW PROFILE RIGHT ANGLE MODULAR JACK ASSEMBLY		
		1 PLACE ± 0.36 ± ---	APPROVED BY DATE	MOLEX INCORPORATED		
		ANGULAR ± 1/2°	MATERIAL NO.	DOCUMENT NO.	SHEET NO.	
		DRAFT WHERE APPLICABLE MUST REMAIN WITHIN DIMENSIONS	SEE SHTS 5&6	SDA-43202	9 OF 9	
			THIS DRAWING CONTAINS INFORMATION THAT IS PROPRIETARY TO MOLEX INCORPORATED AND SHOULD NOT BE USED WITHOUT WRITTEN PERMISSION			