

Excellent Integrated System Limited

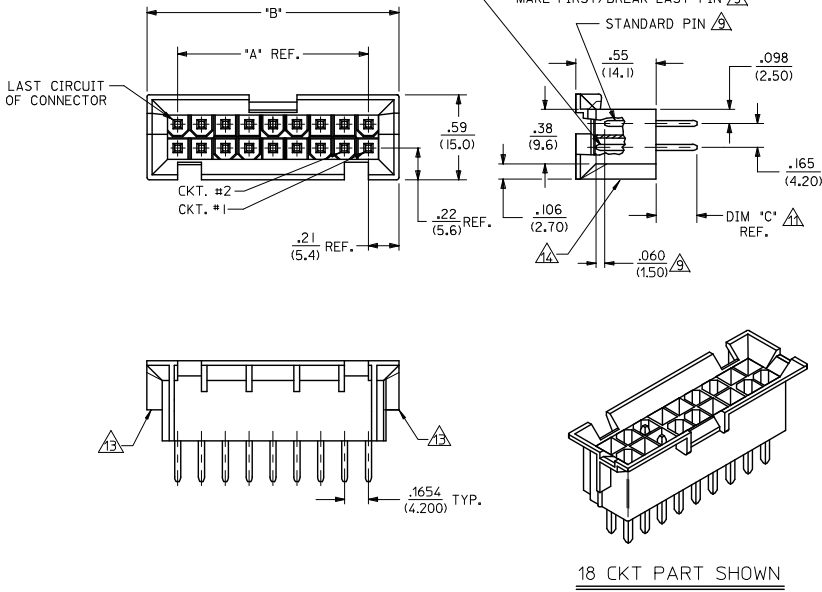
Stocking Distributor

Click to view price, real time Inventory, Delivery & Lifecycle Information:

[Molex Connector Corporation](#)
[0436930031](#)

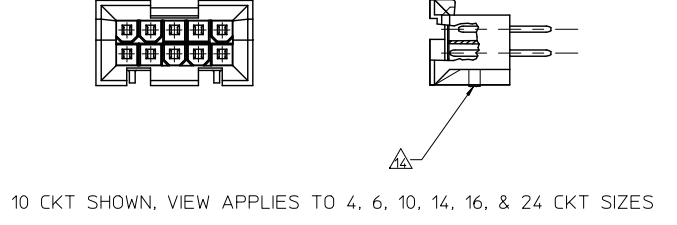
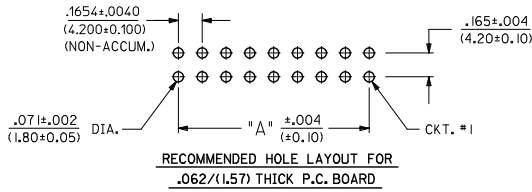
For any questions, you can email us directly:

sales@integrated-circuit.com



- NOTES:**
- HOUSING MATERIAL: A = NYLON 6/6, U.L. 94V-2, COLOR: NATURAL.
B = NYLON 6/6, U.L. 94V-0, COLOR: NATURAL.
C = PBT POLYESTER 94V-0 COLOR: BLACK
 - TERMINAL MATERIAL: BRASS ALLOY
 - TERMINAL PLATING
A = .000100/(0.00254) MIN. MATTE TIN OVER
.000050/(0.00127) MIN. NICKEL.
C = .000030/(0.00076) MIN. SELECT GOLD AND
.000100/(0.00254) MIN. SELECT MATTE TIN
OVER .000050/(0.00127) MIN. NICKEL OVERALL.
D = .000060/(0.00152) MIN REFLOWED MATTE TIN OVER
.000050/(0.00127) MIN. NICKEL OVERALL.
 - PRODUCT SPECIFICATION: PS-5556-002
 - PACKAGING IN TRAYS PER PK-42404-002 EXCEPT 43693-0024 PACKAGED BULK
 - PART MATES WITH MINI-FIT JR. RECEPTACLES 5557, 42385, 42474 AND 44516.
 - PART ALLOWS FOR UP TO .001(0.254) MISALIGNMENT WITH MATING RECEPTACLE IN ANY DIRECTION. SEE MATING CONNECTOR DRAWINGS FOR SPECIFIC ALLOWANCE.
 - PARTS ARE NOT DESIGNED FOR CURRENT SHARING.
 - CONNECTORS ASSEMBLIES ARE NOT TO BE MATED OR UNMATED WHILE CIRCUITS ARE LIVE.
 - SEE CHART ON SHEET 2 FOR STANDARD, MAKE-FIRST/BREAK-LAST AND PLATING LOCATIONS.
 - ITEM NUMBERS PRECEDED BY AN "X" IN THE CHART ARE NOT AVAILABLE.
 - REFERENCE DIMENSION "C" NOT TO EXCEED .283/(7.20) NOMINAL.
 - DISCOLORATION IN THE BANDOLIER CARRIER AREA OF THE PIN IS INHERENT TO THE PLATING PROCESS AND IS DUE TO THE MASKING EFFECT OF THE CARRIER. THIS DISCOLORATION IS IN A NON-FUNCTIONAL AREA OF THE PIN AND WILL NOT AFFECT THE PERFORMANCE OF THE HEADER ASSEMBLY.
 - PART CONFORMS TO CLASS "B" REQUIREMENTS OF COSMETIC SPECIFICATION PS-45499-002, EXCEPT CLASS "C" ON BOTH SIDE RIBS.
 - CUT OFF PEGS NOT TO PROTRUDE MORE THAN .030/(0.76) ON ALL CIRCUIT SIZES EXCEPT 18 CIRCUIT PARTS WILL NOT HAVE CUT OFF PEGS.

36	2.811 (71.40)	3.236 (82.20)
24	1.819 (46.20)	2.244 (57.00)
22	1.654 (42.00)	2.079 (52.80)
20	1.488 (37.80)	1.913 (48.60)
18	1.323 (33.60)	1.748 (44.40)
16	1.157 (29.40)	1.583 (40.20)
14	.992 (25.20)	1.417 (36.00)
12	.827 (21.00)	1.252 (31.80)
10	.661 (16.80)	1.087 (27.60)
8	.496 (12.60)	.921 (23.40)
6	.331 (8.40)	.756 (19.20)
4	.165 (4.20)	.590 (15.00)
2		.425 (10.80)
CKT. SIZE	DIM. "A"	DIM. "B"



UPDATE NOTE 14 EC NO: UCP2015-4258 DRWNG: JOMIT 2015/06/25 CHKGD: BELL 2015/06/25 APPR: SMTH 2015/07/10	QUALITY SYMBOLS ∇=0 ∇=0 ∇=0	GENERAL TOLERANCES (UNLESS SPECIFIED) mm INCH 4 PLACES ± --- ± --- 3 PLACES ± --- ± .015 2 PLACES ± 0.38 ± --- 1 PLACE ± --- ± --- ANGULAR ±1/2°	DIMENSION STYLE IN/MM DRAWN BY DATE GEP 3/11/96 CHECKED BY DATE RFJ 3/11/96 APPROVED BY DATE RFJ 3/11/96	SCALE 2:1 DESIGN UNITS METRIC THIRD ANGLE PROJECTION	TITLE VERT. HEADER ASSY WITH MAKE-FIRST/BREAK-LAST MINI-FIT B.M.I. SERIES
		MATERIAL NO. DOCUMENT NO. SHEET NO. SEE CHART SDA-43693-**** 1 OF 2			
		DRAFT WHERE APPLICABLE MUST REMAIN WITHIN DIMENSIONS			
		THIS DRAWING CONTAINS INFORMATION THAT IS PROPRIETARY TO MOLEX INCORPORATED AND SHOULD NOT BE USED WITHOUT WRITTEN PERMISSION			

