



Excellent Integrated System Limited

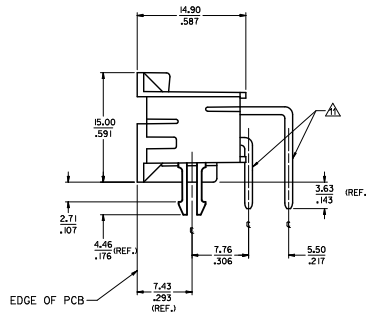
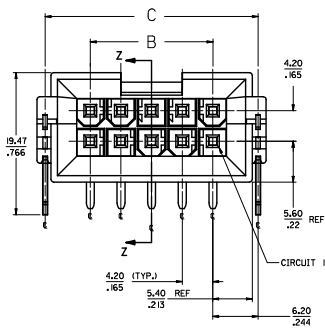
Stocking Distributor

Click to view price, real time Inventory, Delivery & Lifecycle Information:

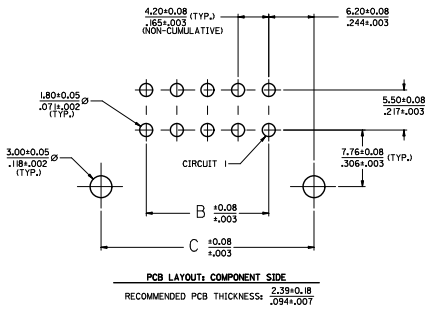
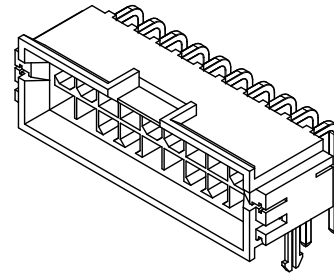
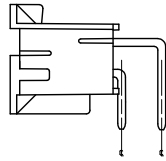
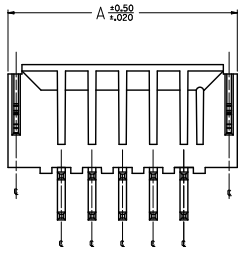
[Molex Connector Corporation](#)
[0438100055](#)

For any questions, you can email us directly:

sales@integrated-circuit.com



- NOTES
- 1) MATERIALS
HOUSING: NYLON 4/6 UL 94V-0 GLASS FILLED, COLOR: BLACK
TERMINAL: BRASS
BOARD RETENTION CLIP: BRASS
 - 2) FINISHES:
TERMINAL:
1-0.00254/.000100 MIN. BRIGHT TIN OVER
0.00127/.000050 MIN. NICKEL
2-0.00076/.000030 MIN. SELECT GOLD AND
0.00254/.000100 MIN. SELECT MATTE TIN
OVER 0.00127/.000050 MIN. NICKEL OVERALL
4-0.00025/.000060 MIN. REFLOWED MATTE TIN OVER
0.00127/.000050 MIN. NICKEL OVERALL
MOUNTING CLIP:
0.00254/.000100 MIN. MATTE TIN OVER
0.00127/.000050 MIN. NICKEL
 - 3) PRODUCT SPECIFICATION: PS-43810-001
 - 4) PACKAGING SPECIFICATION: PK-43810-001
 - 5) PARTS MATE WITH MOLEX RECEPTACLE #3557 AND #42474 AND #42395 HEADER
 - 6) PART ALLOWS FOR (127/.050) MAX MIS-ALIGNMENT WITH MATING HOUSINGS IN ANY DIRECTION
 - 7) CONNECTOR ASSEMBLIES ARE NOT TO BE MATED AND UNMATED WHILE CIRCUITS ARE LIVE
 - 8) PARTS ARE NOT DESIGNED FOR CURRENT SHARING
 - 9) DISCOLORATION IN THE BANDOLIER CARRIER AREA OF THE PIN IS INHERENT TO THE PLATING PROCESS AND IS DUE TO THE MASKING EFFECT OF THE CARRIER. THIS DISCOLORATION IS IN A NON-FUNCTIONAL AREA OF THE PIN AND WILL NOT AFFECT THE PERFORMANCE OF THE HEADER ASSEMBLY.
 - 10) PART CONFORMS TO CLASS 'B' REQUIREMENTS OF COSMETIC SPECIFICATION PS-45499-002
- ▲ FORMING MARKS ARE ACCEPTABLE



| QUALITY SYMBOLS | GENERAL TOLERANCES (UNLESS SPECIFIED) | | DIMENSION STYLE | | SCALE | DESIGN UNITS | THIRD ANGLE PROJECTION |
|-----------------|--|--------------|---|--------------|-------|--------------|-------------------------|
| | mm | INCH | MM/IN | MM/IN | | | |
| ∇=0 | 4 PLACES ± .010 | ± .010 | DRAWN BY | DATE | 4:1 | METRIC | MINI-FIT JR BM |
| ∇=0 | 3 PLACES ± .025 | ± .012 | CHECKED BY | DATE | | | RIGHT ANGLE HEADER ASM. |
| ∇=0 | 1 PLACE ± .035 | ± .012 | APPROVED BY | DATE | | | FOR 2.39/.094 THK PCB |
| | ANGULAR ± 1/2° | FSMTH | DATE | 2012/10/19 | | | MOLEX INCORPORATED |
| | DRAFT WHERE APPLICABLE MUST REMAIN WITHIN DIMENSIONS | MATERIAL NO. | SEE CHART | DOCUMENT NO. | | | SD-43810-031 |
| | | SIZE | THIS DRAWING CONTAINS INFORMATION THAT IS PROPRIETARY TO MOLEX INCORPORATED AND SHOULD NOT BE USED WITHOUT WRITTEN PERMISSION | | | | 1 OF 2 |

| 20 | 19 | 18 | 17 | 16 | 15 | 14 | 13 | 12 | 11 | 10 | 9 | 8 | 7 | 6 | 5 | 4 | 3 | 2 | 1 | |
|--------------|--------------|-------------|---------------|----------------|---------------|--------|--------------|--------------|-------------|---------------|----------------|---------------|--------|--------------|--------------|-------------|---------------|----------------|---------------|--------|
| MATERIAL NO. | CIRCUIT SIZE | CLIP OPTION | DIM. 14" | DIM. 17" | DIM. 19" | FINISH | MATERIAL NO. | CIRCUIT SIZE | CLIP OPTION | DIM. 14" | DIM. 17" | DIM. 19" | FINISH | MATERIAL NO. | CIRCUIT SIZE | CLIP OPTION | DIM. 14" | DIM. 17" | DIM. 19" | FINISH |
| 43810-0045 | 4 | YES | 18.81 -140 | 4.20 -165 | 16.60 -653 | 1 | 43810-0265 | 4 | NO | 18.81 -140 | 4.20 -165 | 16.60 -653 | 1 | | 4 | YES | 18.81 -140 | 4.20 -165 | 16.60 -653 | 4 |
| 43810-0046 | 6 | YES | 23.01 -906 | 8.40 -331 | 20.80 -819 | 1 | 43810-0266 | 6 | NO | 23.01 -906 | 8.40 -331 | 20.80 -819 | 1 | | 6 | YES | 23.01 -906 | 8.40 -331 | 20.80 -819 | 4 |
| 43810-0047 | 8 | YES | 27.21 1071 | 12.60 -496 | 25.00 -984 | 1 | 43810-0267 | 8 | NO | 27.21 1071 | 12.60 -496 | 25.00 -984 | 1 | | 8 | YES | 27.21 1071 | 12.60 -496 | 25.00 -984 | 4 |
| 43810-0048 | 10 | YES | 31.41 1237 | 16.80 -661 | 29.20 1150 | 1 | 43810-0268 | 10 | NO | 31.41 1237 | 16.80 -661 | 29.20 1150 | 1 | 43810-0548 | 10 | YES | 31.41 1237 | 16.80 -661 | 29.20 1150 | 4 |
| 43810-0049 | 12 | YES | 35.61 1402 | 21.00 -828 | 33.40 1315 | 1 | 43810-0269 | 12 | NO | 35.61 1402 | 21.00 -828 | 33.40 1315 | 1 | | 12 | YES | 35.61 1402 | 21.00 -828 | 33.40 1315 | 4 |
| 43810-0050 | 14 | YES | 39.81 1567 | 25.20 -992 | 37.60 1480 | 1 | 43810-0270 | 14 | NO | 39.81 1567 | 25.20 -992 | 37.60 1480 | 1 | 43810-0550 | 14 | YES | 39.81 1567 | 25.20 -992 | 37.60 1480 | 4 |
| 43810-0051 | 16 | YES | 44.01 1733 | 29.40 -1157 | 41.80 1646 | 1 | 43810-0271 | 16 | NO | 44.01 1733 | 29.40 -1157 | 41.80 1646 | 1 | | 16 | YES | 44.01 1733 | 29.40 -1157 | 41.80 1646 | 4 |
| 43810-0052 | 18 | YES | 48.21 1898 | 33.60 -1323 | 46.00 1811 | 1 | 43810-0272 | 18 | NO | 48.21 1898 | 33.60 -1323 | 46.00 1811 | 1 | | 18 | YES | 48.21 1898 | 33.60 -1323 | 46.00 1811 | 4 |
| 43810-0053 | 20 | YES | 52.41 2063 | 37.80 -1488 | 50.20 1976 | 1 | 43810-0273 | 20 | NO | 52.41 2063 | 37.80 -1488 | 50.20 1976 | 1 | | 20 | YES | 52.41 2063 | 37.80 -1488 | 50.20 1976 | 4 |
| 43810-0054 | 22 | YES | 56.61 2229 | 42.00 -1654 | 54.40 2142 | 1 | 43810-0274 | 22 | NO | 56.61 2229 | 42.00 -1654 | 54.40 2142 | 1 | | 22 | YES | 56.61 2229 | 42.00 -1654 | 54.40 2142 | 4 |
| 43810-0055 | 24 | YES | 60.81 2394 | 46.20 -1819 | 58.60 2307 | 1 | 43810-0275 | 24 | NO | 60.81 2394 | 46.20 -1819 | 58.60 2307 | 1 | | 24 | YES | 60.81 2394 | 46.20 -1819 | 58.60 2307 | 4 |
| 43810-0056 | 4 | YES | 18.81 -140 | 4.20 -165 | 16.60 -653 | 2 | 43810-0276 | 4 | NO | 18.81 -140 | 4.20 -165 | 16.60 -653 | 2 | | 4 | YES | 18.81 -140 | 4.20 -165 | 16.60 -653 | 2 |
| 43810-0057 | 6 | YES | 23.01 -906 | 8.40 -331 | 20.80 -819 | 2 | 43810-0277 | 6 | NO | 23.01 -906 | 8.40 -331 | 20.80 -819 | 2 | | 6 | YES | 23.01 -906 | 8.40 -331 | 20.80 -819 | 2 |
| 43810-0058 | 8 | YES | 27.21 1071 | 12.60 -496 | 25.00 -984 | 2 | 43810-0278 | 8 | NO | 27.21 1071 | 12.60 -496 | 25.00 -984 | 2 | | 8 | YES | 27.21 1071 | 12.60 -496 | 25.00 -984 | 2 |
| 43810-0059 | 10 | YES | 31.41 1237 | 16.80 -661 | 29.20 1150 | 2 | 43810-0279 | 10 | NO | 31.41 1237 | 16.80 -661 | 29.20 1150 | 2 | | 10 | YES | 31.41 1237 | 16.80 -661 | 29.20 1150 | 2 |
| 43810-0060 | 12 | YES | 35.61 1402 | 21.00 -828 | 33.40 1315 | 2 | 43810-0280 | 12 | NO | 35.61 1402 | 21.00 -828 | 33.40 1315 | 2 | | 12 | YES | 35.61 1402 | 21.00 -828 | 33.40 1315 | 2 |
| 43810-0061 | 14 | YES | 39.81 1567 | 25.20 -992 | 37.60 1480 | 2 | 43810-0281 | 14 | NO | 39.81 1567 | 25.20 -992 | 37.60 1480 | 2 | | 14 | YES | 39.81 1567 | 25.20 -992 | 37.60 1480 | 2 |
| 43810-0062 | 16 | YES | 44.01 1733 | 29.40 -1157 | 41.80 1646 | 2 | 43810-0282 | 16 | NO | 44.01 1733 | 29.40 -1157 | 41.80 1646 | 2 | | 16 | YES | 44.01 1733 | 29.40 -1157 | 41.80 1646 | 2 |
| 43810-0063 | 18 | YES | 48.21 1898 | 33.60 -1323 | 46.00 1811 | 2 | 43810-0283 | 18 | NO | 48.21 1898 | 33.60 -1323 | 46.00 1811 | 2 | | 18 | YES | 48.21 1898 | 33.60 -1323 | 46.00 1811 | 2 |
| 43810-0064 | 20 | YES | 52.41 2063 | 37.80 -1488 | 50.20 1976 | 2 | 43810-0284 | 20 | NO | 52.41 2063 | 37.80 -1488 | 50.20 1976 | 2 | | 20 | YES | 52.41 2063 | 37.80 -1488 | 50.20 1976 | 2 |
| 43810-0065 | 22 | YES | 56.61 2229 | 42.00 -1654 | 54.40 2142 | 2 | 43810-0285 | 22 | NO | 56.61 2229 | 42.00 -1654 | 54.40 2142 | 2 | | 22 | YES | 56.61 2229 | 42.00 -1654 | 54.40 2142 | 2 |
| 43810-0066 | 24 | YES | 60.81 2394 | 46.20 -1819 | 58.60 2307 | 2 | 43810-0286 | 24 | NO | 60.81 2394 | 46.20 -1819 | 58.60 2307 | 2 | | 24 | YES | 60.81 2394 | 46.20 -1819 | 58.60 2307 | 2 |

N = NOT TOOLED

N = NOT TOOLED

N = NOT TOOLED

| | | | | | | |
|--|-----------------|--|---|-----------|--------------|------------------------|
| SEE SHEET 1 EC NO. UEP202-560 DRAWING/REV 2012/01/19 CHKD-BELL 2012/01/19 APPROVED BY 2012/01/19 DESIGNED BY REV | QUALITY SYMBOLS | GENERAL TOLERANCES (UNLESS SPECIFIED) | DIMENSION STYLE | SCALE | DESIGN UNITS | THIRD ANGLE PROJECTION |
| | ∇=0 | 4 PLACES ±.0004 | MM/INCH | 1:1 | METRIC | |
| | ∇=0 | 3 PLACES ±.001 | | | | |
| | ∇=0 | 2 PLACES ±.005 | | | | |
| | 1 PLACE ±.035 | ANGULAR ±1/2° | | | | |
| | | DRAFT WHERE APPLICABLE MUST REMAIN WITHIN DIMENSIONS | MATERIAL NO. | SEE CHART | DOCUMENT NO. | SD-43810-031 |
| | | | THIS DRAWING CONTAINS INFORMATION THAT IS PROPRIETARY TO MOLEX INCORPORATED AND SHOULD NOT BE USED WITHOUT WRITTEN PERMISSION | | | |