

Excellent Integrated System Limited

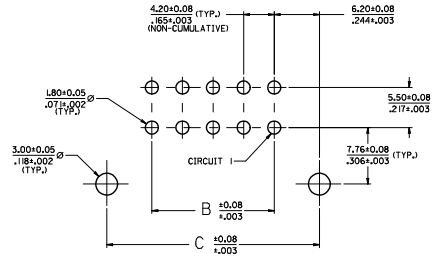
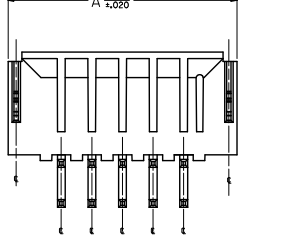
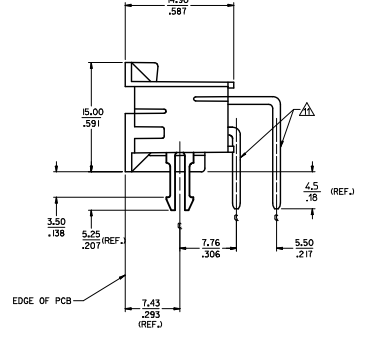
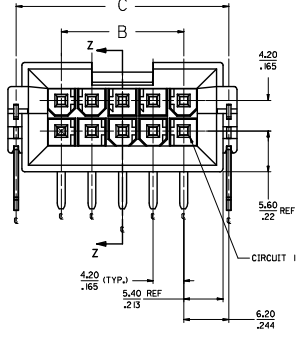
Stocking Distributor

Click to view price, real time Inventory, Delivery & Lifecycle Information:

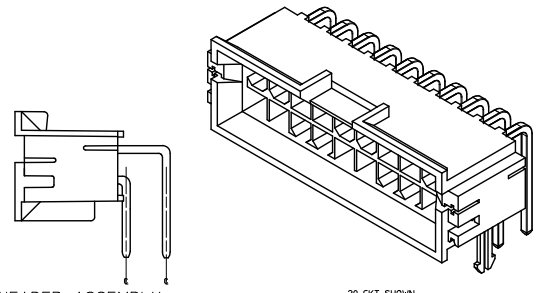
[Molex Connector Corporation](#)
[0438100103](#)

For any questions, you can email us directly:

sales@integrated-circuit.com



- NOTES
- MATERIALS
HOUSING: NYLON 4/6 UL 94V-0 GLASS FILLED, COLOR: BLACK
TERMINAL: BRASS
BOARD RETENTION CLIP: BRASS
 - FINISHES:
TERMINAL:
1-(0.00254)/.000100 MIN. BRIGHT TIN OVER
(0.00127)/.000050 MIN. NICKEL
2-(0.00076)/.000030 MIN. SELECT GOLD AND
(0.00254)/.000100 MIN. SELECT MATTE TIN
OVER (0.00127)/.000050 MIN. NICKEL OVERALL
MOUNTING CLIP:
(0.00254)/.000100 MIN. MATTE TIN OVER
(0.00127)/.000050 MIN. NICKEL
 - PRODUCT SPECIFICATION: PS-43810-001
 - PACKAGING SPECIFICATION: PK-43810-001
 - PARTS MATES WITH MOLEX REFLECTOR #5557 AND #42474 AND #42385 HEADER
 - PART ALLOWS FOR (1.27)/.050 MAX MIS-ALIGNMENT WITH MATING HOUSINGS IN ANY DIRECTION
 - CONNECTOR ASSEMBLIES ARE NOT TO BE MATED AND UNMATED WHILE CIRCUITS ARE LIVE
 - PARTS ARE NOT DESIGNED FOR CURRENT SHARING
 - DISCOLORATION IN THE BANDOLIER CARRIER AREA OF THE PIN IS INHERENT TO THE PLATING PROCESS AND IS DUE TO THE MASKING EFFECT OF THE CARRIER. THIS DISCOLORATION IS IN A NON-FUNCTIONAL AREA OF THE PIN AND WILL NOT AFFECT THE PERFORMANCE OF THE HEADER ASSEMBLY.
 - PART CONFORMS TO CLASS 'B' REQUIREMENTS OF COSMETIC SPECIFICATION PS-45499-002
 - FORMING MARKS ARE ACCEPTABLE



HEADER ASSEMBLY WITH NO CLIP OPTION

20 CKT SHOWN

QUALITY SYMBOLS	GENERAL TOLERANCES (UNLESS SPECIFIED)		DIMENSION STYLE	SCALE	DESIGN UNITS	THIRD ANGLE
	mm	INCH	MM/IN	4:1	METRIC	PROJECTION
∇=0	4 PLACES ±---	±.010	DRAWN BY	DATE	TITLE	
∇=0	3 PLACES ±---	±.014	MANPAZ	01-06-97	MIN-FIT JR BM	
∇=0	2 PLACES ±0.25	±.014	CHECKED BY	DATE	RIGHT ANGLE HEADER ASM	
∇=0	1 PLACE ±0.35	±---	BANDURA	03-26-97	FOR 3.175/.125 THK PCB	
	ANGULAR ±1/2°		APPROVED BY	DATE	MOLEX INCORPORATED	
	DRAFT WHERE APPLICABLE MUST REMAIN WITHIN DIMENSIONS		FSMITH	2012/10/1/19		
	SEE CHART		MATERIAL NO.	DOCUMENT NO.	SD-43810-051	SHEET NO.
	THIS DRAWING CONTAINS INFORMATION THAT IS PROPRIETARY TO MOLEX INCORPORATED AND SHOULD NOT BE USED WITHOUT WRITTEN PERMISSION					1 OF 2

MATERIAL NO.	CIRCUIT SIZE	CLIP OPTION	DIM. A1	DIM. B1	DIM. C1	FINISH	MATERIAL NO.	CIRCUIT SIZE	CLIP OPTION	DIM. A1	DIM. B1	DIM. C1	FINISH
438 IO-0089	4	YES	18.81 .740	4.20 .165	16.60 .653	I	438 IO-0331	4	NO	18.81 .740	4.20 .165	16.60 .653	I
438 IO-0090	6	YES	23.01 .906	8.40 .331	20.80 .819	I	438 IO-0332	6	NO	23.01 .906	8.40 .331	20.80 .819	I
438 IO-0091	8	YES	27.21 1.071	12.60 .496	25.00 .984	I	438 IO-0333	8	NO	27.21 1.071	12.60 .496	25.00 .984	I
438 IO-0092	10	YES	31.41 1.237	16.80 .661	29.20 1.150	I	438 IO-0334	10	NO	31.41 1.237	16.80 .661	29.20 1.150	I
438 IO-0093	12	YES	35.61 1.402	21.00 .828	33.40 1.315	I	438 IO-0335	12	NO	35.61 1.402	21.00 .828	33.40 1.315	I
438 IO-0094	14	YES	39.81 1.567	25.20 .992	37.60 1.480	I	438 IO-0336	14	NO	39.81 1.567	25.20 .992	37.60 1.480	I
438 IO-0095	16	YES	44.01 1.733	29.40 1.157	41.80 1.646	I	438 IO-0337	16	NO	44.01 1.733	29.40 1.157	41.80 1.646	I
438 IO-0096	18	YES	48.21 1.898	33.60 1.323	46.00 1.811	I	438 IO-0338	18	NO	48.21 1.898	33.60 1.323	46.00 1.811	I
438 IO-0097	20	YES	52.41 2.063	37.80 1.488	50.20 1.976	I	438 IO-0339	20	NO	52.41 2.063	37.80 1.488	50.20 1.976	I
438 IO-0098	22	YES	56.61 2.229	42.00 1.654	54.40 2.142	I	438 IO-0340	22	NO	56.61 2.229	42.00 1.654	54.40 2.142	I
438 IO-0099	24	YES	60.81 2.394	46.20 1.819	58.60 2.307	I	438 IO-0341	24	NO	60.81 2.394	46.20 1.819	58.60 2.307	I
438 IO-0100	4	YES	18.81 .740	4.20 .165	16.60 .653	2	438 IO-0342	4	NO	18.81 .740	4.20 .165	16.60 .653	2
438 IO-0101	6	YES	23.01 .906	8.40 .331	20.80 .819	2	438 IO-0343	6	NO	23.01 .906	8.40 .331	20.80 .819	2
438 IO-0102	8	YES	27.21 1.071	12.60 .496	25.00 .984	2	438 IO-0344	8	NO	27.21 1.071	12.60 .496	25.00 .984	2
438 IO-0103	10	YES	31.41 1.237	16.80 .661	29.20 1.150	2	438 IO-0345	10	NO	31.41 1.237	16.80 .661	29.20 1.150	2
438 IO-0104	12	YES	35.61 1.402	21.00 .828	33.40 1.315	2	438 IO-0346	12	NO	35.61 1.402	21.00 .828	33.40 1.315	2
438 IO-0105	14	YES	39.81 1.567	25.20 .992	37.60 1.480	2	438 IO-0347	14	NO	39.81 1.567	25.20 .992	37.60 1.480	2
438 IO-0106	16	YES	44.01 1.733	29.40 1.157	41.80 1.646	2	438 IO-0348	16	NO	44.01 1.733	29.40 1.157	41.80 1.646	2
438 IO-0107	18	YES	48.21 1.898	33.60 1.323	46.00 1.811	2	438 IO-0349	18	NO	48.21 1.898	33.60 1.323	46.00 1.811	2
438 IO-0108	20	YES	52.41 2.063	37.80 1.488	50.20 1.976	2	438 IO-0350	20	NO	52.41 2.063	37.80 1.488	50.20 1.976	2
438 IO-0109	22	YES	56.61 2.229	42.00 1.654	54.40 2.142	2	438 IO-0351	22	NO	56.61 2.229	42.00 1.654	54.40 2.142	2
438 IO-0110	24	YES	60.81 2.394	46.20 1.819	58.60 2.307	2	438 IO-0352	24	NO	60.81 2.394	46.20 1.819	58.60 2.307	2

N* NOT TOOLED

SEE SHEET 1 EC No. 0438100103-0536 DRAWN: MONTI 2015/08/07 CHECKED: BELL 2015/08/07 APPROVED: 2015/07/12 MEX	QUALITY SYMBOLS ∇=0 ∇=0 ∇=0	GENERAL TOLERANCES (UNLESS SPECIFIED) 4 PLACES ±.005 3 PLACES ±.010 2 PLACES ±.025 1 PLACE ±.035 ANGULAR ±1/2°	DIMENSION STYLE MM/IN DRAWN BY: MAN.PAZ CHECKED BY: BANDURA APPROVED BY: FSM.IH DATE: 01-06-97 DATE: 03-26-97 DATE: 2012/01/19	SCALE 1:1	DESIGN UNITS METRIC	THIRD ANGLE PROJECTION 	TITLE MINI-FIT JR BM RIGHT ANGLE HEADER ASM FOR 3.175/1.125 THK PCB	MATERIAL NO. SEE CHART	DOCUMENT NO. SD-43810-051	SHEET NO. 2 OF 2	
	DRAFT WHERE APPLICABLE MUST REMAIN WITHIN DIMENSIONS										
	THIS DRAWING CONTAINS INFORMATION THAT IS PROPRIETARY TO MOLEX INCORPORATED AND SHOULD NOT BE USED WITHOUT WRITTEN PERMISSION										
	MOLEX MOLEX INCORPORATED										