

## Excellent Integrated System Limited

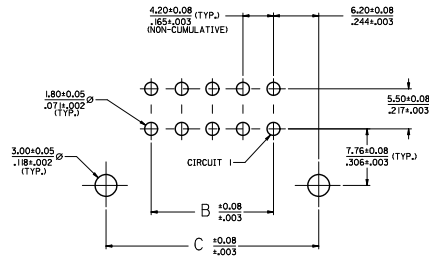
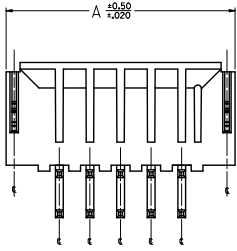
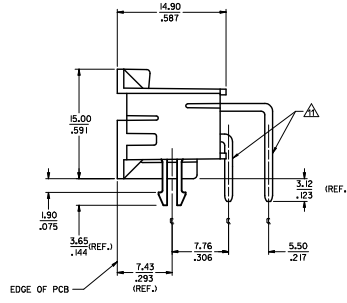
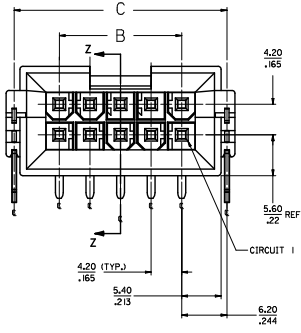
Stocking Distributor

Click to view price, real time Inventory, Delivery & Lifecycle Information:

[Molex Connector Corporation](#)  
[0438100202](#)

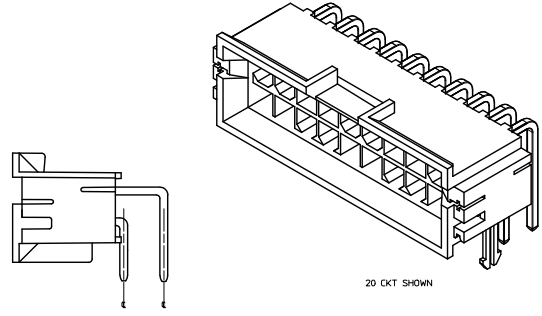
For any questions, you can email us directly:

[sales@integrated-circuit.com](mailto:sales@integrated-circuit.com)



PCB LAYOUT, COMPONENT SIDE  
RECOMMENDED PCB THICKNESS: 1.60±0.18  
.063±0.007

- NOTES
- MATERIALS  
HOUSING: NYLON 4/6 UL 94V-0 GLASS FILLED, COLOR: BLACK  
TERMINAL: BRASS  
BOARD RETENTION CLIP: BRASS
  - FINISHES  
TERMINAL:  
1-0.00254/0.000100 MIN. BRIGHT TIN OVER  
0.00127/0.000050 MIN. NICKEL  
2-0.000276/0.000030 MIN. SELECT GOLD AND  
0.00254/0.000100 MIN. SELECT MATTE TIN  
OVER 0.00127/0.000050 MIN. NICKEL OVERALL  
MOUNTING CLIP:  
0.00254/0.000100 MIN. MATTE TIN OVER  
0.00127/0.000050 MIN. NICKEL
  - PRODUCT SPECIFICATION: PS-43810-001
  - PACKAGING SPECIFICATION: PK-43810-001
  - PARTS MATES WITH MOLEX RECEPTACLE #5557 AND #42474 AND #42985 HEADER
  - PART ALLOWS FOR (1.27/0.50) MAX MS-ALIGNMENT WITH MATING HOUSINGS IN ANY DIRECTION
  - CONNECTOR ASSEMBLIES ARE NOT TO BE MATED AND UNMATED WHILE CIRCUITS ARE LIVE
  - PARTS ARE NOT DESIGNED FOR CURRENT SHARING
  - DISCOLORATION IN THE BANDOLIER CARRIER AREA OF THE PIN IS INHERENT TO THE PLATING PROCESS AND IS DUE TO THE MASKING EFFECT OF THE CARRIER. THIS DISCOLORATION IS IN A NON-FUNCTIONAL AREA OF THE PIN AND WILL NOT AFFECT THE PERFORMANCE OF THE HEADER ASSEMBLY.
  - PART CONFORMS TO CLASS "B" REQUIREMENTS OF COSMETIC SPECIFICATION PS-45499-002
  - FORMING MARKS ARE ACCEPTABLE



HEADER ASSEMBLY WITH NO CLIP OPTION

CHANGE PLATING ECN IN LEAD 2020/07/08 DRAWN/REVISED CHKD/BELL 2012/01/20 APPROVED/DATE 2012/01/20	QUALITY SYMBOLS	GENERAL TOLERANCES (UNLESS SPECIFIED):	DIMENSION STYLE	SCALE	DESIGN UNITS	THIRD ANGLE PROJECTION
	$\nabla=0$ $\nabla=0$ $\nabla=0$	mm INCH 4 PLACES ±--- ±--- 3 PLACES ±--- ±.010 2 PLACES ±0.25 ±.014 1 PLACE ±0.35 ±--- ANGULAR ±1/2°	MM/IN	4:1	METRIC	
		DRAFT WHERE APPLICABLE MUST REMAIN WITHIN DIMENSIONS				
			DRAWN BY: MANLAPAZ CHECKED BY: BANDURA APPROVED BY: FSMITH DATE: 01-06-97 DATE: 03-26-97 DATE: 2012/01/19			MINI-FIT JR BM RIGHT ANGLE HEADER ASM. FOR 1.6/0.63 THK. PCB MOLEX INCORPORATED
			MATERIAL NO. SEE CHART SIZE D THIS DRAWING CONTAINS INFORMATION THAT IS PROPRIETARY TO MOLEX INCORPORATED AND SHOULD NOT BE USED WITHOUT WRITTEN PERMISSION			SHEET NO. 1 OF 2 DOCUMENT NO. SD-43810-011

MATERIAL NO.	CIRCUIT SIZE	CLIP OPTION	DIM. 14"	DIM. 15"	DIM. 16"	FINISH	MATERIAL NO.	CIRCUIT SIZE	CLIP OPTION	DIM. 14"	DIM. 15"	DIM. 16"	FINISH
43810-0001	4	YES	18.81 -1740	4.20 -165	16.60 -653	1	43810-0199	4	NO	18.81 -1740	4.20 -165	16.60 -653	1
43810-0002	6	YES	23.01 -906	8.40 -331	20.80 -819	1	43810-0200	6	NO	23.01 -906	8.40 -331	20.80 -819	1
43810-0003	8	YES	27.21 -1071	12.60 -496	25.00 -984	1	43810-0201	8	NO	27.21 -1071	12.60 -496	25.00 -984	1
43810-0004	10	YES	31.41 -1237	16.80 -661	29.20 -1150	1	43810-0202	10	NO	31.41 -1237	16.80 -661	29.20 -1150	1
43810-0005	12	YES	35.61 -1402	21.00 -828	33.40 -1315	1	43810-0203	12	NO	35.61 -1402	21.00 -828	33.40 -1315	1
43810-0006	14	YES	39.81 -1567	25.20 -992	37.60 -1480	1	43810-0204	14	NO	39.81 -1567	25.20 -992	37.60 -1480	1
43810-0007	16	YES	44.01 -1733	29.40 -1157	41.80 -1646	1	43810-0205	16	NO	44.01 -1733	29.40 -1157	41.80 -1646	1
43810-0008	18	YES	48.21 -1898	33.60 -1323	46.00 -1811	1	43810-0206	18	NO	48.21 -1898	33.60 -1323	46.00 -1811	1
43810-0009	20	YES	52.41 -2063	37.80 -1488	50.20 -1976	1	43810-0207	20	NO	52.41 -2063	37.80 -1488	50.20 -1976	1
43810-0010	22	YES	56.61 -2229	42.00 -1654	54.40 -2142	1	43810-0208	22	NO	56.61 -2229	42.00 -1654	54.40 -2142	1
43810-0011	24	YES	60.81 -2394	46.20 -1819	58.60 -2307	1	43810-0209	24	NO	60.81 -2394	46.20 -1819	58.60 -2307	1
43810-0012	4	YES	18.81 -1740	4.20 -165	16.60 -653	2	43810-0210	4	NO	18.81 -1740	4.20 -165	16.60 -653	2
43810-0013	6	YES	23.01 -906	8.40 -331	20.80 -819	2	43810-0211	6	NO	23.01 -906	8.40 -331	20.80 -819	2
43810-0014	8	YES	27.21 -1071	12.60 -496	25.00 -984	2	43810-0212	8	NO	27.21 -1071	12.60 -496	25.00 -984	2
43810-0015	10	YES	31.41 -1237	16.80 -661	29.20 -1150	2	43810-0213	10	NO	31.41 -1237	16.80 -661	29.20 -1150	2
43810-0016	12	YES	35.61 -1402	21.00 -828	33.40 -1315	2	43810-0214	12	NO	35.61 -1402	21.00 -828	33.40 -1315	2
43810-0017	14	YES	39.81 -1567	25.20 -992	37.60 -1480	2	43810-0215	14	NO	39.81 -1567	25.20 -992	37.60 -1480	2
43810-0018	16	YES	44.01 -1733	29.40 -1157	41.80 -1646	2	43810-0216	16	NO	44.01 -1733	29.40 -1157	41.80 -1646	2
43810-0019	18	YES	48.21 -1898	33.60 -1323	46.00 -1811	2	43810-0217	18	NO	48.21 -1898	33.60 -1323	46.00 -1811	2
43810-0020	20	YES	52.41 -2063	37.80 -1488	50.20 -1976	2	43810-0218	20	NO	52.41 -2063	37.80 -1488	50.20 -1976	2
43810-0021	22	YES	56.61 -2229	42.00 -1654	54.40 -2142	2	43810-0219	22	NO	56.61 -2229	42.00 -1654	54.40 -2142	2
43810-0022	24	YES	60.81 -2394	46.20 -1819	58.60 -2307	2	43810-0220	24	NO	60.81 -2394	46.20 -1819	58.60 -2307	2

N = NOT TOOLED

N = NOT TOOLED

SEE SHEET 1 EC NO. 0438100202-560 DRAWING NO. 2012/01/19 CHK-BELL 2012/01/19 APPROVED BY 2012/01/19 DESIGNED BY	QUALITY SYMBOLS	GENERAL TOLERANCES (UNLESS SPECIFIED)	DIMENSION STYLE	SCALE	DESIGN UNITS	THIRD ANGLE PROJECTION	
	∇=0 ∇=0 ∇=0	4 PLACES ±.0004 3 PLACES ±.0010 2 PLACES ±0.025 1 PLACE ±0.35 ANGULAR ±1/2°	mm INCH ±.010 ±.014 ±.014	MM/IN	1:1	METRIC	DRAWN BY MAN/APAZ 01-06-97 CHECKED BY BANDURA 03-26-97 APPROVED BY FSM/TH 2012/01/19
	DRAFT WHERE APPLICABLE MUST REMAIN WITHIN DIMENSIONS		SEE CHART		DOCUMENT NO. SD-43810-011		SHEET NO. 2 OF 2
	THIS DRAWING CONTAINS INFORMATION THAT IS PROPRIETARY TO MOLEX INCORPORATED AND SHOULD NOT BE USED WITHOUT WRITTEN PERMISSION						