



Excellent Integrated System Limited

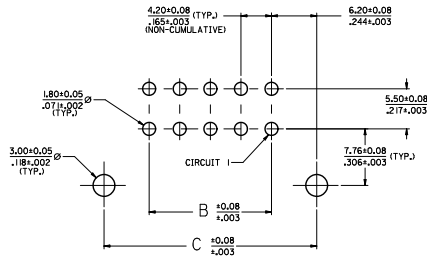
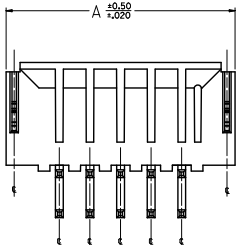
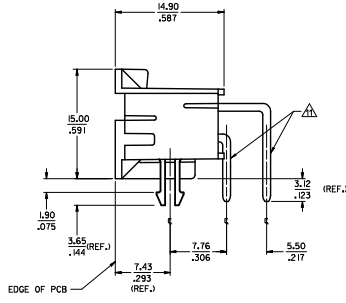
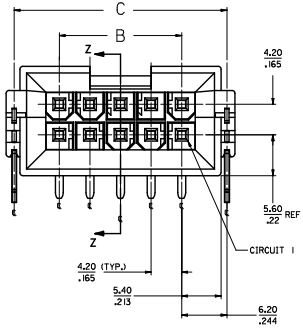
Stocking Distributor

Click to view price, real time Inventory, Delivery & Lifecycle Information:

[Molex Connector Corporation](#)
[0438100211](#)

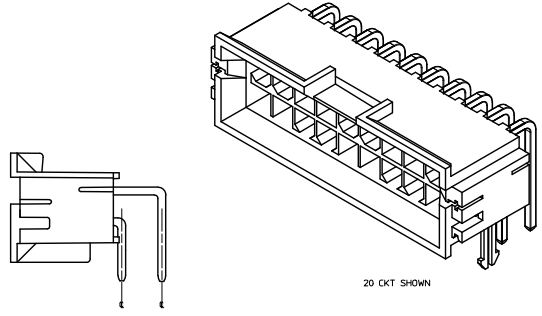
For any questions, you can email us directly:

sales@integrated-circuit.com



PCB LAYOUT, COMPONENT SIDE
RECOMMENDED PCB THICKNESS: 1.60 ± 0.18 ±.063 ±.007

- NOTES
- MATERIALS
HOUSING: NYLON 4/6 UL 94V-0 GLASS FILLED, COLOR: BLACK
TERMINAL: BRASS
BOARD RETENTION CLIP: BRASS
 - FINISHES
TERMINAL:
1-0.00254/0.000100 MIN. BRIGHT TIN OVER
0.00127/0.000050 MIN. NICKEL
2-0.000276/0.000030 MIN. SELECT GOLD AND
0.00254/0.000100 MIN. SELECT MATTE TIN
OVER 0.00127/0.000050 MIN. NICKEL OVERALL
MOUNTING CLIP:
0.00254/0.000100 MIN. MATTE TIN OVER
0.00127/0.000050 MIN. NICKEL
 - PRODUCT SPECIFICATION: PS-43810-001
 - PACKAGING SPECIFICATION: PK-43810-001
 - PARTS MATES WITH MOLEX RECEPTACLE #5557 AND #42474 AND #42985 HEADER
 - PART ALLOWS FOR (1.27/0.50) MAX MS-ALIGNMENT WITH MATING HOUSINGS IN ANY DIRECTION
 - CONNECTOR ASSEMBLIES ARE NOT TO BE MATED AND UNMATED WHILE CIRCUITS ARE LIVE
 - PARTS ARE NOT DESIGNED FOR CURRENT SHARING
 - DISCOLORATION IN THE BANDOLIER CARRIER AREA OF THE PIN IS INHERENT TO THE PLATING PROCESS AND IS DUE TO THE MASKING EFFECT OF THE CARRIER. THIS DISCOLORATION IS IN A NON-FUNCTIONAL AREA OF THE PIN AND WILL NOT AFFECT THE PERFORMANCE OF THE HEADER ASSEMBLY.
 - PART CONFORMS TO CLASS "B" REQUIREMENTS OF COSMETIC SPECIFICATION PS-45499-002
 - FORMING MARKS ARE ACCEPTABLE



HEADER ASSEMBLY WITH NO CLIP OPTION

CHANGE PLATING ECN IN LEAD 2020/07/08 DR/ANANDHAR 2020/07/08 CH/CHIDRELL 2020/07/08 APPROVAL DATE 2020/07/08 (REV)	QUALITY SYMBOLS	GENERAL TOLERANCES (UNLESS SPECIFIED):	DIMENSION STYLE	SCALE	DESIGN UNITS	THIRD ANGLE PROJECTION	
	$\nabla=0$ $\nabla=0$ $\nabla=0$	mm INCH 4 PLACES ±.--- ±.--- 3 PLACES ±.--- ±.010 2 PLACES ±0.25 ±.014 1 PLACE ±0.35 ±.--- ANGULAR ±1/2°	MM/IN DRAWN BY DATE MAN/APAZ 01-06-97 CHECKED BY DATE BANDURA 03-26-97 APPROVED BY DATE FSM/TH 2012/01/19	4:1	METRIC		
	DRAFT WHERE APPLICABLE MUST REMAIN WITHIN DIMENSIONS		MATERIAL NO.	SEE CHART	DOCUMENT NO.	MINI-FIT JR BM RIGHT ANGLE HEADER ASM. FOR 1.6/0.63 THK. PCB MOLEX INCORPORATED	
			SIZE	D THIS DRAWING CONTAINS INFORMATION THAT IS PROPRIETARY TO MOLEX INCORPORATED AND SHOULD NOT BE USED WITHOUT WRITTEN PERMISSION			SHEET NO. 1 OF 2

20	19	18	17	16	15	14	13	12	11	10	9	8	7	6	5	4	3	2	1	
MATERIAL NO.	CIRCUIT SIZE	CLIP OPTION	DIM. 14"	DIM. 15"	DIM. 16"	FINISH	MATERIAL NO.	CIRCUIT SIZE	CLIP OPTION	DIM. 14"	DIM. 15"	DIM. 16"	FINISH	MATERIAL NO.	CIRCUIT SIZE	CLIP OPTION	DIM. 14"	DIM. 15"	DIM. 16"	FINISH
43810-0001	4	YES	18.81 -1740	4.20 -165	16.60 -653	1	43810-0199	4	NO	18.81 -1740	4.20 -165	16.60 -653	1	43810-0199	4	NO	18.81 -1740	4.20 -165	16.60 -653	1
43810-0002	6	YES	23.01 -906	8.40 -331	20.80 -819	1	43810-0200	6	NO	23.01 -906	8.40 -331	20.80 -819	1	43810-0200	6	NO	23.01 -906	8.40 -331	20.80 -819	1
43810-0003	8	YES	27.21 -1071	12.60 -496	25.00 -984	1	43810-0201	8	NO	27.21 -1071	12.60 -496	25.00 -984	1	43810-0201	8	NO	27.21 -1071	12.60 -496	25.00 -984	1
43810-0004	10	YES	31.41 -1237	16.80 -661	29.20 -1150	1	43810-0202	10	NO	31.41 -1237	16.80 -661	29.20 -1150	1	43810-0202	10	NO	31.41 -1237	16.80 -661	29.20 -1150	1
43810-0005	12	YES	35.61 -1402	21.00 -828	33.40 -1315	1	43810-0203	12	NO	35.61 -1402	21.00 -828	33.40 -1315	1	43810-0203	12	NO	35.61 -1402	21.00 -828	33.40 -1315	1
43810-0006	14	YES	39.81 -1567	25.20 -992	37.60 -1480	1	43810-0204	14	NO	39.81 -1567	25.20 -992	37.60 -1480	1	43810-0204	14	NO	39.81 -1567	25.20 -992	37.60 -1480	1
43810-0007	16	YES	44.01 -1733	29.40 -1157	41.80 -1646	1	43810-0205	16	NO	44.01 -1733	29.40 -1157	41.80 -1646	1	43810-0205	16	NO	44.01 -1733	29.40 -1157	41.80 -1646	1
43810-0008	18	YES	48.21 -1898	33.60 -1323	46.00 -1811	1	43810-0206	18	NO	48.21 -1898	33.60 -1323	46.00 -1811	1	43810-0206	18	NO	48.21 -1898	33.60 -1323	46.00 -1811	1
43810-0009	20	YES	52.41 -2063	37.80 -1488	50.20 -1976	1	43810-0207	20	NO	52.41 -2063	37.80 -1488	50.20 -1976	1	43810-0207	20	NO	52.41 -2063	37.80 -1488	50.20 -1976	1
43810-0010	22	YES	56.61 -2229	42.00 -1654	54.40 -2142	1	43810-0208	22	NO	56.61 -2229	42.00 -1654	54.40 -2142	1	43810-0208	22	NO	56.61 -2229	42.00 -1654	54.40 -2142	1
43810-0011	24	YES	60.81 -2394	46.20 -1819	58.60 -2307	1	43810-0209	24	NO	60.81 -2394	46.20 -1819	58.60 -2307	1	43810-0209	24	NO	60.81 -2394	46.20 -1819	58.60 -2307	1
43810-0012	4	YES	18.81 -1740	4.20 -165	16.60 -653	2	43810-0210	4	NO	18.81 -1740	4.20 -165	16.60 -653	2	43810-0210	4	NO	18.81 -1740	4.20 -165	16.60 -653	2
43810-0013	6	YES	23.01 -906	8.40 -331	20.80 -819	2	43810-0211	6	NO	23.01 -906	8.40 -331	20.80 -819	2	43810-0211	6	NO	23.01 -906	8.40 -331	20.80 -819	2
43810-0014	8	YES	27.21 -1071	12.60 -496	25.00 -984	2	43810-0212	8	NO	27.21 -1071	12.60 -496	25.00 -984	2	43810-0212	8	NO	27.21 -1071	12.60 -496	25.00 -984	2
43810-0015	10	YES	31.41 -1237	16.80 -661	29.20 -1150	2	43810-0213	10	NO	31.41 -1237	16.80 -661	29.20 -1150	2	43810-0213	10	NO	31.41 -1237	16.80 -661	29.20 -1150	2
43810-0016	12	YES	35.61 -1402	21.00 -828	33.40 -1315	2	43810-0214	12	NO	35.61 -1402	21.00 -828	33.40 -1315	2	43810-0214	12	NO	35.61 -1402	21.00 -828	33.40 -1315	2
43810-0017	14	YES	39.81 -1567	25.20 -992	37.60 -1480	2	43810-0215	14	NO	39.81 -1567	25.20 -992	37.60 -1480	2	43810-0215	14	NO	39.81 -1567	25.20 -992	37.60 -1480	2
43810-0018	16	YES	44.01 -1733	29.40 -1157	41.80 -1646	2	43810-0216	16	NO	44.01 -1733	29.40 -1157	41.80 -1646	2	43810-0216	16	NO	44.01 -1733	29.40 -1157	41.80 -1646	2
43810-0019	18	YES	48.21 -1898	33.60 -1323	46.00 -1811	2	43810-0217	18	NO	48.21 -1898	33.60 -1323	46.00 -1811	2	43810-0217	18	NO	48.21 -1898	33.60 -1323	46.00 -1811	2
43810-0020	20	YES	52.41 -2063	37.80 -1488	50.20 -1976	2	43810-0218	20	NO	52.41 -2063	37.80 -1488	50.20 -1976	2	43810-0218	20	NO	52.41 -2063	37.80 -1488	50.20 -1976	2
43810-0021	22	YES	56.61 -2229	42.00 -1654	54.40 -2142	2	43810-0219	22	NO	56.61 -2229	42.00 -1654	54.40 -2142	2	43810-0219	22	NO	56.61 -2229	42.00 -1654	54.40 -2142	2
43810-0022	24	YES	60.81 -2394	46.20 -1819	58.60 -2307	2	43810-0220	24	NO	60.81 -2394	46.20 -1819	58.60 -2307	2	43810-0220	24	NO	60.81 -2394	46.20 -1819	58.60 -2307	2

N = NOT TOOLED

N = NOT TOOLED

SEE SHEET 1 EC NO. 043810-560 DRAWING NO. 2012/01/19 CHK-BELL 2012/01/19 APPROVED BY 2012/01/19 DESIGNED BY	QUALITY SYMBOLS	GENERAL TOLERANCES (UNLESS SPECIFIED)	DIMENSION STYLE	SCALE	DESIGN UNITS	THIRD ANGLE PROJECTION	
	$\nabla=0$ $\nabla=0$ $\nabla=0$	4 PLACES ±.0004 3 PLACES ±.0010 2 PLACES ±.0025 1 PLACE ±.0050 ANGULAR ±1/2°	mm INCH ±.010 ±.014 ±.014	MM/IN	1:1	METRIC	DRAWN BY DATE MAN, APAZ 01-06-97 CHECKED BY DATE BANDURA 03-26-97 APPROVED BY DATE FSM, ITH 2012/01/19
	DRAFT WHERE APPLICABLE MUST REMAIN WITHIN DIMENSIONS		SEE CHART		DOCUMENT NO.		TITLE
			SD-43810-011		MOLEX INCORPORATED		MINI-FIT JR BHI RIGHT ANGLE HEADER ASM. FOR 1.6/0.63 THK. PCB