

Excellent Integrated System Limited

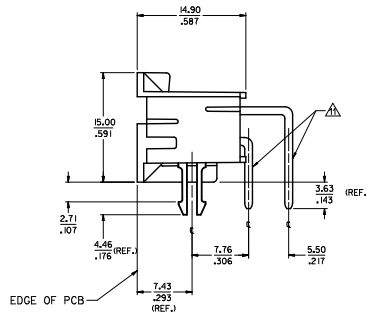
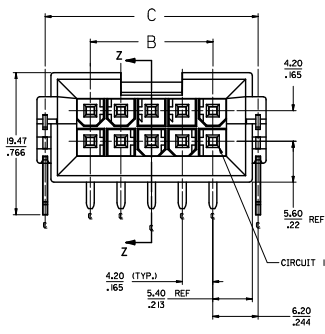
Stocking Distributor

Click to view price, real time Inventory, Delivery & Lifecycle Information:

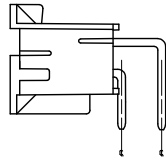
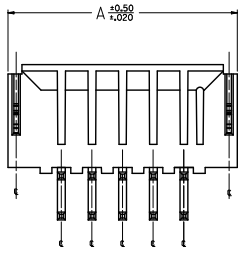
[Molex Connector Corporation](#)
[0438100283](#)

For any questions, you can email us directly:

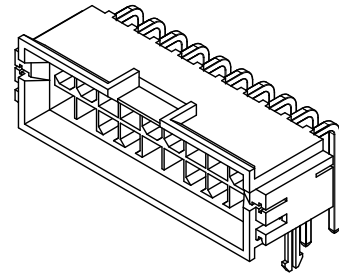
sales@integrated-circuit.com



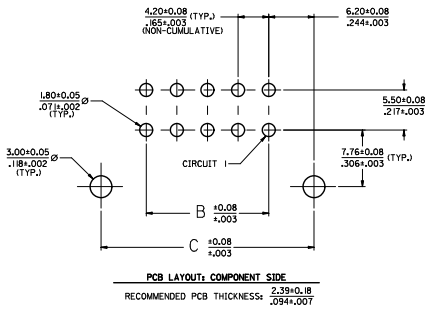
- NOTES
- 1) MATERIALS
HOUSING: NYLON 4/6 UL 94V-0 GLASS FILLED, COLOR: BLACK
TERMINAL: BRASS
BOARD RETENTION CLIP: BRASS
 - 2) FINISHES:
TERMINAL:
1-0.00254/.000100 MIN. BRIGHT TIN OVER
0.00127/.000050 MIN. NICKEL
2-0.00076/.000030 MIN. SELECT GOLD AND
0.00254/.000100 MIN. SELECT MATTE TIN
OVER 0.00127/.000050 MIN. NICKEL OVERALL
4-0.00025/.000060 MIN. REFLOWED MATTE TIN OVER
0.00127/.000050 MIN. NICKEL OVERALL
MOUNTING CLIP:
0.00254/.000100 MIN. MATTE TIN OVER
0.00127/.000050 MIN. NICKEL
 - 3) PRODUCT SPECIFICATION: PS-43810-001
 - 4) PACKAGING SPECIFICATION: PK-43810-001
 - 5) PARTS MATES WITH MOLEX RECEPTACLE #3557 AND #42474 AND #42395 HEADER
 - 6) PART ALLOWS FOR (127/.050 MAX MIS-ALIGNMENT WITH MATING HOUSINGS IN ANY DIRECTION
 - 7) CONNECTOR ASSEMBLIES ARE NOT TO BE MATED AND UNMATED WHILE CIRCUITS ARE LIVE
 - 8) PARTS ARE NOT DESIGNED FOR CURRENT SHARING
 - 9) DISCOLORATION IN THE BANDOLIER CARRIER AREA OF THE PIN IS INHERENT TO THE PLATING PROCESS AND IS DUE TO THE MASKING EFFECT OF THE CARRIER. THIS DISCOLORATION IS IN A NON-FUNCTIONAL AREA OF THE PIN AND WILL NOT AFFECT THE PERFORMANCE OF THE HEADER ASSEMBLY.
 - 10) PART CONFORMS TO CLASS 'B' REQUIREMENTS OF COSMETIC SPECIFICATION PS-45499-002
- ▲ FORMING MARKS ARE ACCEPTABLE



HEADER ASSEMBLY
WITH NO CLIP OPTION



20 CKT SHOWN



RECOMMENDED PCB THICKNESS: 2.39+0.18
.094+0.007

QUALITY SYMBOLS	GENERAL TOLERANCES (UNLESS SPECIFIED)		DIMENSION STYLE		SCALE	DESIGN UNITS	THIRD ANGLE PROJECTION
	mm	INCH	MM/IN	MM/IN			
∇=0	4 PLACES ±---	±---	MAN/APAZ	01-06-97	4:1	METRIC	MINI-FIT JR BM RIGHT ANGLE HEADER ASM. FOR 2.39/.094 THK PCB
∇=0	3 PLACES ±---	±.010	CHECKED BY	DATE			
∇=0	2 PLACES ±0.25	±.012	BANDURA	03-26-97			
∇=0	1 PLACE ±.035	±---	APPROVED BY	DATE	SMITH	2012/01/19	MOLEX INCORPORATED
DRAFT WHERE APPLICABLE MUST REMAIN WITHIN DIMENSIONS		ANGULAR ±1/2°		MATERIAL NO.		DOCUMENT NO.	
		SEE CHART		SD-43810-031		1 OF 2	
THIS DRAWING CONTAINS INFORMATION THAT IS PROPRIETARY TO MOLEX INCORPORATED AND SHOULD NOT BE USED WITHOUT WRITTEN PERMISSION							

20	19	18	17	16	15	14	13	12	11	10	9	8	7	6	5	4	3	2	1	
MATERIAL NO.	CIRCUIT SIZE	CLIP OPTION	DIM. 14"	DIM. 19"	DIM. 24"	FINISH	MATERIAL NO.	CIRCUIT SIZE	CLIP OPTION	DIM. 14"	DIM. 19"	DIM. 24"	FINISH	MATERIAL NO.	CIRCUIT SIZE	CLIP OPTION	DIM. 14"	DIM. 19"	DIM. 24"	FINISH
43810-0045	4	YES	18.81 -140	4.20 -165	16.60 -653	1	43810-0265	4	NO	18.81 -140	4.20 -165	16.60 -653	1		4	YES	18.81 -140	4.20 -165	16.60 -653	4
43810-0046	6	YES	23.01 -906	8.40 -331	20.80 -819	1	43810-0266	6	NO	23.01 -906	8.40 -331	20.80 -819	1		6	YES	23.01 -906	8.40 -331	20.80 -819	4
43810-0047	8	YES	27.21 1071	12.60 -496	25.00 -984	1	43810-0267	8	NO	27.21 1071	12.60 -496	25.00 -984	1		8	YES	27.21 1071	12.60 -496	25.00 -984	4
43810-0048	10	YES	31.41 1237	16.80 -661	29.20 1150	1	43810-0268	10	NO	31.41 1237	16.80 -661	29.20 1150	1	43810-0548	10	YES	31.41 1237	16.80 -661	29.20 1150	4
43810-0049	12	YES	35.61 1402	21.00 -828	33.40 1315	1	43810-0269	12	NO	35.61 1402	21.00 -828	33.40 1315	1		12	YES	35.61 1402	21.00 -828	33.40 1315	4
43810-0050	14	YES	39.81 1567	25.20 -992	37.60 1480	1	43810-0270	14	NO	39.81 1567	25.20 -992	37.60 1480	1	43810-0550	14	YES	39.81 1567	25.20 -992	37.60 1480	4
43810-0051	16	YES	44.01 1733	29.40 -1157	41.80 1646	1	43810-0271	16	NO	44.01 1733	29.40 -1157	41.80 1646	1		16	YES	44.01 1733	29.40 -1157	41.80 1646	4
43810-0052	18	YES	48.21 1898	33.60 -1323	46.00 1811	1	43810-0272	18	NO	48.21 1898	33.60 -1323	46.00 1811	1		18	YES	48.21 1898	33.60 -1323	46.00 1811	4
43810-0053	20	YES	52.41 2063	37.80 -1488	50.20 1976	1	43810-0273	20	NO	52.41 2063	37.80 -1488	50.20 1976	1		20	YES	52.41 2063	37.80 -1488	50.20 1976	4
43810-0054	22	YES	56.61 2229	42.00 -1654	54.40 2142	1	43810-0274	22	NO	56.61 2229	42.00 -1654	54.40 2142	1		22	YES	56.61 2229	42.00 -1654	54.40 2142	4
43810-0055	24	YES	60.81 2394	46.20 -1819	58.60 2307	1	43810-0275	24	NO	60.81 2394	46.20 -1819	58.60 2307	1		24	YES	60.81 2394	46.20 -1819	58.60 2307	4
43810-0056	4	YES	18.81 -140	4.20 -165	16.60 -653	2	43810-0276	4	NO	18.81 -140	4.20 -165	16.60 -653	2							
43810-0057	6	YES	23.01 -906	8.40 -331	20.80 -819	2	43810-0277	6	NO	23.01 -906	8.40 -331	20.80 -819	2							
43810-0058	8	YES	27.21 1071	12.60 -496	25.00 -984	2	43810-0278	8	NO	27.21 1071	12.60 -496	25.00 -984	2							
43810-0059	10	YES	31.41 1237	16.80 -661	29.20 1150	2	43810-0279	10	NO	31.41 1237	16.80 -661	29.20 1150	2							
43810-0060	12	YES	35.61 1402	21.00 -828	33.40 1315	2	43810-0280	12	NO	35.61 1402	21.00 -828	33.40 1315	2							
43810-0061	14	YES	39.81 1567	25.20 -992	37.60 1480	2	43810-0281	14	NO	39.81 1567	25.20 -992	37.60 1480	2							
43810-0062	16	YES	44.01 1733	29.40 -1157	41.80 1646	2	43810-0282	16	NO	44.01 1733	29.40 -1157	41.80 1646	2							
43810-0063	18	YES	48.21 1898	33.60 -1323	46.00 1811	2	43810-0283	18	NO	48.21 1898	33.60 -1323	46.00 1811	2							
43810-0064	20	YES	52.41 2063	37.80 -1488	50.20 1976	2	43810-0284	20	NO	52.41 2063	37.80 -1488	50.20 1976	2							
43810-0065	22	YES	56.61 2229	42.00 -1654	54.40 2142	2	43810-0285	22	NO	56.61 2229	42.00 -1654	54.40 2142	2							
43810-0066	24	YES	60.81 2394	46.20 -1819	58.60 2307	2	43810-0286	24	NO	60.81 2394	46.20 -1819	58.60 2307	2							

N = NOT TOOLED

N = NOT TOOLED

N = NOT TOOLED

SEE SHEET 1 EC NO. IEP202-560 DRAWING/REV 2012/01/19 CHKD-BELL 2012/01/19 APPROVED BY 2012/01/19 DESIGNED BY REV	QUALITY SYMBOLS	GENERAL TOLERANCES (UNLESS SPECIFIED)	DIMENSION STYLE	SCALE	DESIGN UNITS	THIRD ANGLE PROJECTION
	▽=0	4 PLACES ±.0005	mm	MM/IN	1:1	METRIC
	▽=0	3 PLACES ±.001	INCH			
	▽=0	2 PLACES ±.005				
		1 PLACE ±.035				
		ANGULAR ±1/2°				
		DRAFT WHERE APPLICABLE MUST REMAIN WITHIN DIMENSIONS				
			DRAWN BY	DATE	TITLE	
			MAN/APAZ	01-06-97	MINI-FIT JR BHI	
			CHECKED BY	DATE	RIGHT ANGLE HEADER ASM.	
			BANDURA	03-26-97	FOR 2.39/0.94 THK PCB	
			APPROVED BY	DATE		
			FSM/TH	2012/01/19		
			MATERIAL NO.	DOCUMENT NO.		
			SEE CHART		SD-43810-031	
						SHEET NO.
						2 OF 2