

## Excellent Integrated System Limited

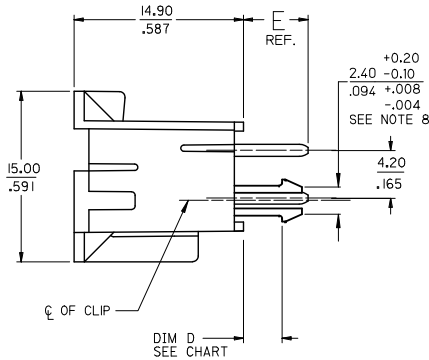
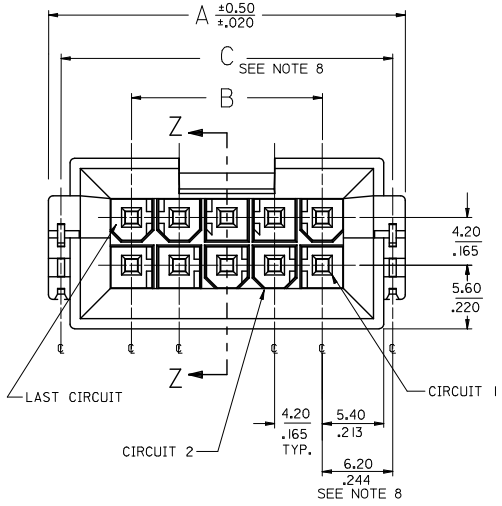
Stocking Distributor

Click to view price, real time Inventory, Delivery & Lifecycle Information:

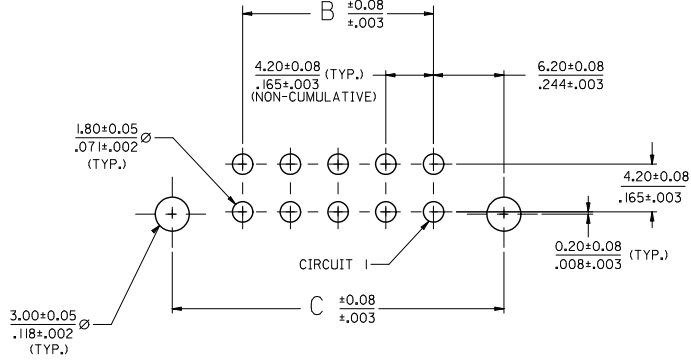
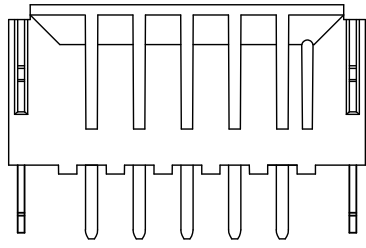
[Molex Connector Corporation](#)  
[0440680103](#)

For any questions, you can email us directly:

[sales@integrated-circuit.com](mailto:sales@integrated-circuit.com)

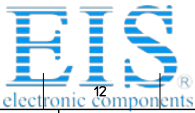


- 1) MATERIALS:  
HOUSING: PA46 FILLED, UL94V-0, COLOR: BLACK  
TERMINAL: BRASS  
BOARD RETENTION CLIP: BRASS
- 2) FINISHES:  
1 = 0.00254/(.000100) MIN TIN OVER NICKEL  
2 = 0.00076/(.000030) MIN. SELECT GOLD AND 0.00254/(.000100) MIN. SELECT MATTE TIN OVER 0.00127/(.000050) MIN. NICKEL OVERALL
- 3) PRODUCT SPECIFICATIONS: PS-43810-001
- 4) PACKAGING SPECIFICATIONS: PK-43879-001
- 5) PART MATES WITH MOLEX RECEPTACLE SERIES 5557, 42474 AND 44516 AND HEADER SERIES 42385.
- 6) PART ALLOWS FOR 1.27/.050 MAX. MISALIGNMENT WITH MATING HOUSINGS IN ANY DIRECTION.
- 7) CONNECTOR ASSEMBLIES ARE NOT TO BE MATED AND UNMATED WHILE CIRCUITS ARE LIVE.
- 8) THIS DIMENSION DOES NOT APPLY TO PARTS WITHOUT P.C. BOARD RETENTION CLIPS.
- 9) PARTS CONFORM TO CLASS 'B' REQUIREMENTS OF COSMETIC SPECIFICATION PS-45499-002
- 10) DISCOLORATION IN THE BANDOLIER CARRIER AREA OF THE PIN IS INHERENT TO THE PLATING PROCESS AND IS DUE TO THE MASKING EFFECT OF THE CARRIER. THIS DISCOLORATION IS IN A NON-FUNCTIONAL AREA OF THE PIN AND WILL NOT AFFECT THE PERFORMANCE OF THE HEADER ASSEMBLY.



| CKTS | DIM. 'A'     | DIM. 'B'     | DIM. 'C'     |
|------|--------------|--------------|--------------|
| 4    | 18.81 ±.740  | 4.20 ±.165   | 16.60 ±.653  |
| 6    | 23.01 ±.906  | 8.40 ±.331   | 20.80 ±.819  |
| 8    | 27.21 ±1.071 | 12.60 ±.496  | 25.00 ±.984  |
| 10   | 31.41 ±1.237 | 16.80 ±.661  | 29.20 ±1.150 |
| 12   | 35.61 ±1.402 | 21.00 ±.828  | 33.40 ±1.315 |
| 14   | 39.81 ±1.567 | 25.20 ±.992  | 37.60 ±1.480 |
| 16   | 44.01 ±1.733 | 29.40 ±1.157 | 41.80 ±1.646 |
| 18   | 48.21 ±1.898 | 33.60 ±1.323 | 46.00 ±1.811 |
| 20   | 52.41 ±2.063 | 37.80 ±1.488 | 50.20 ±1.976 |
| 22   | 56.61 ±2.229 | 42.00 ±1.654 | 54.40 ±2.142 |
| 24   | 60.81 ±2.394 | 46.20 ±1.819 | 58.60 ±2.307 |

|   |                                      |                                       |                       |                 |      |              |                        |                        |  |
|---|--------------------------------------|---------------------------------------|-----------------------|-----------------|------|--------------|------------------------|------------------------|--|
| CHANGE CLIP DIM<br>EC NO: UCP202-3785<br>DRAWN BY: 2012/05/17<br>CHKD: BELL 2012/05/17<br>APPR: SMITH 2012/06/01              | QUALITY SYMBOLS<br>▽=0<br>▽=0<br>▽=0 | GENERAL TOLERANCES (UNLESS SPECIFIED) |                       | DIMENSION STYLE |      | SCALE<br>4:1 | DESIGN UNITS<br>METRIC | THIRD ANGLE PROJECTION |  |
|   |                                      | mm                                    | INCH                  | MM/IN           |      |              |                        |                        |  |
|   |                                      | 4 PLACES ± --- ± ---                  | 3 PLACES ± --- ± .010 | DRAWN BY        | DATE |              |                        |                        | TITLE<br>MINI-FIT JR BMI SMC<br>VERTICAL HEADER ASM<br>VARIOUS BOARD THICKNESS |
|   |                                      | 2 PLACES ± 0.25 ± .014                | 1 PLACE ± 0.35 ± ---  | CHECKED BY      | DATE |              |                        |                        |  |
| ANGULAR ± 1/2°  |                                      | APPROVED BY                           | DATE                  |                 |      |              |                        |                        |  |
| DRAFT WHERE APPLICABLE MUST REMAIN WITHIN DIMENSIONS  |                                      | MATERIAL NO.                          |                       | DOCUMENT NO.    |      | SHEET NO.    |                        |                        |  |
|   |                                      | SEE SHEET 2                           |                       | SD-44068-031    |      | 1 OF 2       |                        |                        |  |
| THIS DRAWING CONTAINS INFORMATION THAT IS PROPRIETARY TO MOLEX INCORPORATED AND SHOULD NOT BE USED WITHOUT WRITTEN PERMISSION |                                      |                                       |                       |                 |      |              |                        |                        |  |



Distributor of Molex Connector Corporation: Excellent Integrated System Limited

Datasheet of 0440680103 - MF SMC VERT HDR W/.125CLIP GOLD

Contact us: sales@integrated-circuit.com Website: www.integrated-circuit.com

| FINISH:        | 1 (SEE NOTE 2)                  | FINISH:        | 1 (SEE NOTE 2)                  | FINISH:        | 1 (SEE NOTE 2)                  | FINISH:        | 1 (SEE NOTE 2)                  |
|----------------|---------------------------------|----------------|---------------------------------|----------------|---------------------------------|----------------|---------------------------------|
| DIM. D:        | WITHOUT CLIP                    | DIM. D:        | $\frac{(1.79+0.25)}{.070+0.10}$ | DIM. D:        | $\frac{(2.60+0.25)}{.102+0.10}$ | DIM. D:        | $\frac{(3.39+0.25)}{.133+0.10}$ |
| DIM. E:        | $\frac{(3.30)}{.130}$ REF.      | DIM. E:        | $\frac{(3.30)}{.130}$ REF.      | DIM. E:        | $\frac{(4.50)}{.177}$ REF.      | DIM. E:        | $\frac{(4.90)}{.193}$ REF.      |
| PCB THICKNESS: | $\frac{(1.60+0.18)}{.063+0.07}$ | PCB THICKNESS: | $\frac{(1.60+0.18)}{.063+0.07}$ | PCB THICKNESS: | $\frac{(2.39+0.18)}{.094+0.07}$ | PCB THICKNESS: | $\frac{(3.18+0.18)}{.125+0.07}$ |
| CIRCUITS       | MATERIAL NO.                    | CIRCUITS       | MATERIAL NO.                    | CIRCUITS       | MATERIAL NO.                    | CIRCUITS       | MATERIAL NO.                    |
| 04             | 44068-0023                      | 04             | 44068-0001                      | 04             | 44068-0045                      | 04             | 44068-0089                      |
| 06             | 44068-0024                      | 06             | 44068-0002                      | 06             | 44068-0046                      | 06             | 44068-0090                      |
| 08             | X 44068-0025                    | 08             | X 44068-0003                    | 08             | X 44068-0047                    | 08             | X 44068-0091                    |
| 10             | 44068-0026                      | 10             | 44068-0004                      | 10             | 44068-0048                      | 10             | 44068-0092                      |
| 12             | X 44068-0027                    | 12             | X 44068-0005                    | 12             | X 44068-0049                    | 12             | X 44068-0093                    |
| 14             | 44068-0028                      | 14             | 44068-0006                      | 14             | 44068-0050                      | 14             | 44068-0094                      |
| 16             | X 44068-0029                    | 16             | X 44068-0007                    | 16             | X 44068-0051                    | 16             | X 44068-0095                    |
| 18             | 44068-0030                      | 18             | 44068-0008                      | 18             | 44068-0052                      | 18             | 44068-0096                      |
| 20             | X 44068-0031                    | 20             | X 44068-0009                    | 20             | X 44068-0053                    | 20             | X 44068-0097                    |
| 22             | X 44068-0032                    | 22             | X 44068-0010                    | 22             | X 44068-0054                    | 22             | X 44068-0098                    |
| 24             | 44068-0033                      | 24             | 44068-0011                      | 24             | 44068-0055                      | 24             | 44068-0099                      |

| FINISH:        | 2 (SEE NOTE 2)                  | FINISH:        | 2 (SEE NOTE 2)                  | FINISH:        | 2 (SEE NOTE 2)                  | FINISH:        | 2 (SEE NOTE 2)                  |
|----------------|---------------------------------|----------------|---------------------------------|----------------|---------------------------------|----------------|---------------------------------|
| DIM. D:        | WITHOUT CLIP                    | DIM. D:        | $\frac{(1.79+0.25)}{.070+0.10}$ | DIM. D:        | $\frac{(2.60+0.25)}{.102+0.10}$ | DIM. D:        | $\frac{(3.39+0.25)}{.133+0.10}$ |
| DIM. E:        | $\frac{(3.30)}{.130}$ REF.      | DIM. E:        | $\frac{(3.30)}{.130}$ REF.      | DIM. E:        | $\frac{(4.50)}{.177}$ REF.      | DIM. E:        | $\frac{(4.90)}{.193}$ REF.      |
| PCB THICKNESS: | $\frac{(1.60+0.18)}{.063+0.07}$ | PCB THICKNESS: | $\frac{(1.60+0.18)}{.063+0.07}$ | PCB THICKNESS: | $\frac{(2.39+0.18)}{.094+0.07}$ | PCB THICKNESS: | $\frac{(3.18+0.18)}{.125+0.07}$ |
| CIRCUITS       | MATERIAL NO.                    | CIRCUITS       | MATERIAL NO.                    | CIRCUITS       | MATERIAL NO.                    | CIRCUITS       | MATERIAL NO.                    |
| 04             | 44068-0034                      | 04             | 44068-0012                      | 04             | 44068-0056                      | 04             | 44068-0100                      |
| 06             | 44068-0035                      | 06             | 44068-0013                      | 06             | 44068-0057                      | 06             | 44068-0101                      |
| 08             | X 44068-0036                    | 08             | X 44068-0014                    | 08             | X 44068-0058                    | 08             | X 44068-0102                    |
| 10             | 44068-0037                      | 10             | 44068-0015                      | 10             | 44068-0059                      | 10             | 44068-0103                      |
| 12             | X 44068-0038                    | 12             | X 44068-0016                    | 12             | X 44068-0060                    | 12             | X 44068-0104                    |
| 14             | 44068-0039                      | 14             | 44068-0017                      | 14             | 44068-0061                      | 14             | 44068-0105                      |
| 16             | X 44068-0040                    | 16             | X 44068-0018                    | 16             | X 44068-0062                    | 16             | X 44068-0106                    |
| 18             | 44068-0041                      | 18             | 44068-0019                      | 18             | 44068-0063                      | 18             | 44068-0107                      |
| 20             | X 44068-0042                    | 20             | X 44068-0020                    | 20             | X 44068-0064                    | 20             | X 44068-0108                    |
| 22             | X 44068-0043                    | 22             | X 44068-0021                    | 22             | X 44068-0065                    | 22             | X 44068-0109                    |
| 24             | 44068-0044                      | 24             | 44068-0022                      | 24             | 44068-0066                      | 24             | 44068-0110                      |

X PRECEDING PART NUMBER DESIGNATES  
CIRCUIT SIZE IS NOT TOOLED  
PLEASE CONTACT FACTORY

|  |                                      |   |   |  |  |
|--|--------------------------------------|---|---|--|--|
| SEE SHEET 1<br>EC NO: UCP2012-3785<br>DRAWING: 2012/05/17<br>CHKD: BELL<br>APPR: SMITH<br>2012/06/01 | QUALITY SYMBOLS<br>∇=0<br>∇=0<br>∇=0 | GENERAL TOLERANCES (UNLESS SPECIFIED)<br>mm INCH<br>4 PLACES ± --- ± ---<br>3 PLACES ± --- ± .010<br>2 PLACES ± 0.25 ± .014<br>1 PLACE ± 0.35 ± ---<br>ANGULAR ± 1/2° | DIMENSION STYLE<br>MM/IN<br>DRAWN BY: MANLAPAZ<br>DATE: 1997/12/04<br>CHECKED BY: BANDURA<br>DATE: 1997/12/06<br>APPROVED BY: F SMITH<br>DATE: 2012/02/02 | SCALE: 1:1<br>DESIGN UNITS: METRIC<br>THIRD ANGLE PROJECTION | TITLE: MINI-FIT JR BMI SMC VERTICAL HEADER ASM VARIOUS BOARD THICKNESS<br>MOLEX INCORPORATED |
|  |                                      | DRAFT WHERE APPLICABLE MUST REMAIN WITHIN DIMENSIONS  | MATERIAL NO.: SEE CHART<br>DOCUMENT NO.: SD-44068-031   | SHEET NO.: 2 OF 2  |  |
|  |                                      | THIS DRAWING CONTAINS INFORMATION THAT IS PROPRIETARY TO MOLEX INCORPORATED AND SHOULD NOT BE USED WITHOUT WRITTEN PERMISSION   |   |  |  |
|  |                                      | SIZE: C   |   |  |  |