

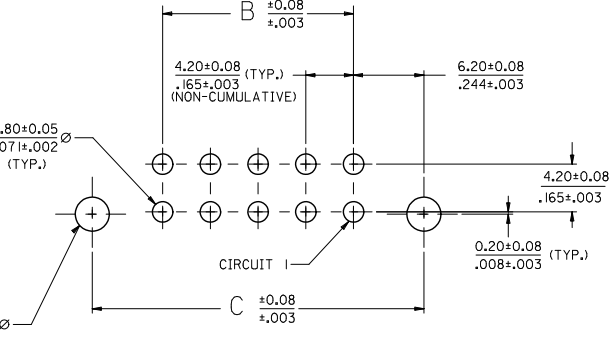
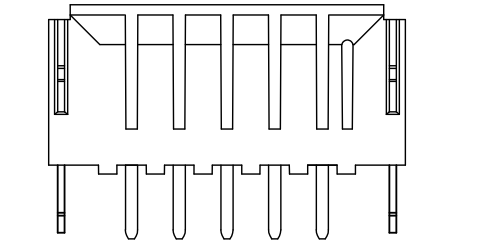
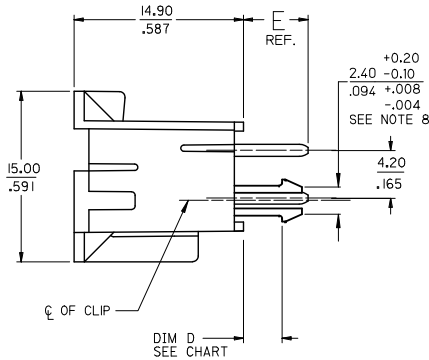
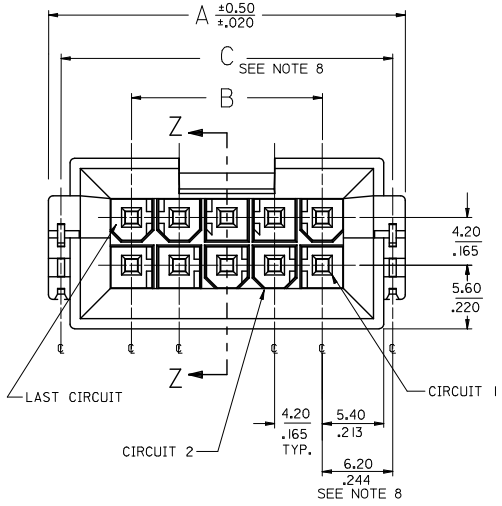
Excellent Integrated System Limited

Stocking Distributor

Click to view price, real time Inventory, Delivery & Lifecycle Information:

[Molex Connector Corporation](#)
[0440680105](#)

For any questions, you can email us directly:
sales@integrated-circuit.com

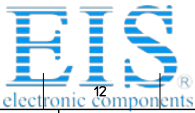


PCB LAYOUT: COMPONENT SIDE
RECOMMENDED PCB THICKNESS: SEE CHART

- 1) MATERIALS:
HOUSING: PA46 FILLED, UL94V-0, COLOR: BLACK
TERMINAL: BRASS
BOARD RETENTION CLIP: BRASS
- 2) FINISHES:
1 = 0.00254/(.000100) MIN TIN OVER NICKEL
2 = 0.00076/(.000030) MIN. SELECT GOLD AND 0.00254/(.000100) MIN. SELECT MATTE TIN OVER 0.00127/(.000050) MIN. NICKEL OVERALL
- 3) PRODUCT SPECIFICATIONS: PS-43810-001
- 4) PACKAGING SPECIFICATIONS: PK-43879-001
- 5) PART MATES WITH MOLEX RECEPTACLE SERIES 5557, 42474 AND 44516 AND HEADER SERIES 42385.
- 6) PART ALLOWS FOR 1.27/.050 MAX. MISALIGNMENT WITH MATING HOUSINGS IN ANY DIRECTION.
- 7) CONNECTOR ASSEMBLIES ARE NOT TO BE MATED AND UNMATED WHILE CIRCUITS ARE LIVE.
- 8) THIS DIMENSION DOES NOT APPLY TO PARTS WITHOUT P.C. BOARD RETENTION CLIPS.
- 9) PARTS CONFORM TO CLASS 'B' REQUIREMENTS OF COSMETIC SPECIFICATION PS-45499-002
- 10) DISCOLORATION IN THE BANDOLIER CARRIER AREA OF THE PIN IS INHERENT TO THE PLATING PROCESS AND IS DUE TO THE MASKING EFFECT OF THE CARRIER. THIS DISCOLORATION IS IN A NON-FUNCTIONAL AREA OF THE PIN AND WILL NOT AFFECT THE PERFORMANCE OF THE HEADER ASSEMBLY.

CKTS	DIM. 'A'	DIM. 'B'	DIM. 'C'
4	18.81 .740	4.20 .165	16.60 .653
6	23.01 .906	8.40 .331	20.80 .819
8	27.21 1.071	12.60 .496	25.00 .984
10	31.41 1.237	16.80 .661	29.20 1.150
12	35.61 1.402	21.00 .828	33.40 1.315
14	39.81 1.567	25.20 .992	37.60 1.480
16	44.01 1.733	29.40 1.157	41.80 1.646
18	48.21 1.898	33.60 1.323	46.00 1.811
20	52.41 2.063	37.80 1.488	50.20 1.976
22	56.61 2.229	42.00 1.654	54.40 2.142
24	60.81 2.394	46.20 1.819	58.60 2.307

CHANGE CLIP DIM EC NO: UCP202-3785 DRAWING/DATE CHKD: BELL 2012/05/17 APPR: SMITH 2012/06/01	QUALITY SYMBOLS ▽=0 ▽=0 ▽=0	GENERAL TOLERANCES (UNLESS SPECIFIED)		DIMENSION STYLE		SCALE 4:1	DESIGN UNITS METRIC	THIRD ANGLE PROJECTION	
		mm	INCH	MM/IN					
		4 PLACES ± --- ± ---	3 PLACES ± --- ± .010	DRAWN BY MANLAPAZ	DATE 1997/12/04				TITLE MINI-FIT JR BMI SMC VERTICAL HEADER ASM VARIOUS BOARD THICKNESS
		2 PLACES ± 0.25 ± .014	1 PLACE ± 0.35 ± ---	CHECKED BY BANDURA	DATE 1997/12/06				
ANGULAR ± 1/2°		APPROVED BY SMITH	DATE 2012/02/02	MOLEX INCORPORATED					
DRAFT WHERE APPLICABLE MUST REMAIN WITHIN DIMENSIONS		MATERIAL NO. SEE SHEET 2	DOCUMENT NO. SD-44068-031						



Distributor of Molex Connector Corporation: Excellent Integrated System Limited

Datasheet of 0440680105 - MF SMC VERT HDR W/.125CLIP GOLD

Contact us: sales@integrated-circuit.com Website: www.integrated-circuit.com

FINISH:	1 (SEE NOTE 2)	FINISH:	1 (SEE NOTE 2)	FINISH:	1 (SEE NOTE 2)	FINISH:	1 (SEE NOTE 2)
DIM. D:	WITHOUT CLIP	DIM. D:	$\frac{1.79+0.25}{.070+0.10}$	DIM. D:	$\frac{2.60+0.25}{.102+0.10}$	DIM. D:	$\frac{3.39+0.25}{.133+0.10}$
DIM. E:	$\frac{3.30}{.130}$ REF.	DIM. E:	$\frac{3.30}{.130}$ REF.	DIM. E:	$\frac{4.50}{.177}$ REF.	DIM. E:	$\frac{4.90}{.193}$ REF.
PCB THICKNESS:	$\frac{1.60+0.18}{.063+0.07}$	PCB THICKNESS:	$\frac{1.60+0.18}{.063+0.07}$	PCB THICKNESS:	$\frac{2.39+0.18}{.094+0.07}$	PCB THICKNESS:	$\frac{3.18+0.18}{.125+0.07}$
CIRCUITS	MATERIAL NO.	CIRCUITS	MATERIAL NO.	CIRCUITS	MATERIAL NO.	CIRCUITS	MATERIAL NO.
04	44068-0023	04	44068-0001	04	44068-0045	04	44068-0089
06	44068-0024	06	44068-0002	06	44068-0046	06	44068-0090
08	X 44068-0025	08	X 44068-0003	08	X 44068-0047	08	X 44068-0091
10	44068-0026	10	44068-0004	10	44068-0048	10	44068-0092
12	X 44068-0027	12	X 44068-0005	12	X 44068-0049	12	X 44068-0093
14	44068-0028	14	44068-0006	14	44068-0050	14	44068-0094
16	X 44068-0029	16	X 44068-0007	16	X 44068-0051	16	X 44068-0095
18	44068-0030	18	44068-0008	18	44068-0052	18	44068-0096
20	X 44068-0031	20	X 44068-0009	20	X 44068-0053	20	X 44068-0097
22	X 44068-0032	22	X 44068-0010	22	X 44068-0054	22	X 44068-0098
24	44068-0033	24	44068-0011	24	44068-0055	24	44068-0099

FINISH:	2 (SEE NOTE 2)	FINISH:	2 (SEE NOTE 2)	FINISH:	2 (SEE NOTE 2)	FINISH:	2 (SEE NOTE 2)
DIM. D:	WITHOUT CLIP	DIM. D:	$\frac{1.79+0.25}{.070+0.10}$	DIM. D:	$\frac{2.60+0.25}{.102+0.10}$	DIM. D:	$\frac{3.39+0.25}{.133+0.10}$
DIM. E:	$\frac{3.30}{.130}$ REF.	DIM. E:	$\frac{3.30}{.130}$ REF.	DIM. E:	$\frac{4.50}{.177}$ REF.	DIM. E:	$\frac{4.90}{.193}$ REF.
PCB THICKNESS:	$\frac{1.60+0.18}{.063+0.07}$	PCB THICKNESS:	$\frac{1.60+0.18}{.063+0.07}$	PCB THICKNESS:	$\frac{2.39+0.18}{.094+0.07}$	PCB THICKNESS:	$\frac{3.18+0.18}{.125+0.07}$
CIRCUITS	MATERIAL NO.	CIRCUITS	MATERIAL NO.	CIRCUITS	MATERIAL NO.	CIRCUITS	MATERIAL NO.
04	44068-0034	04	44068-0012	04	44068-0056	04	44068-0100
06	44068-0035	06	44068-0013	06	44068-0057	06	44068-0101
08	X 44068-0036	08	X 44068-0014	08	X 44068-0058	08	X 44068-0102
10	44068-0037	10	44068-0015	10	44068-0059	10	44068-0103
12	X 44068-0038	12	X 44068-0016	12	X 44068-0060	12	X 44068-0104
14	44068-0039	14	44068-0017	14	44068-0061	14	44068-0105
16	X 44068-0040	16	X 44068-0018	16	X 44068-0062	16	X 44068-0106
18	44068-0041	18	44068-0019	18	44068-0063	18	44068-0107
20	X 44068-0042	20	X 44068-0020	20	X 44068-0064	20	X 44068-0108
22	X 44068-0043	22	X 44068-0021	22	X 44068-0065	22	X 44068-0109
24	44068-0044	24	44068-0022	24	44068-0066	24	44068-0110

X PRECEDING PART NUMBER DESIGNATES
CIRCUIT SIZE IS NOT TOOLED
PLEASE CONTACT FACTORY

SEE SHEET 1 EC NO: UCP2012-3785 DRAWING: 2012/05/17 CHKD: BELL APPR: SMITH 2012/06/01	QUALITY SYMBOLS ∇=0 ∇=0 ∇=0	GENERAL TOLERANCES (UNLESS SPECIFIED) mm INCH 4 PLACES ± --- ± --- 3 PLACES ± --- ± .010 2 PLACES ± 0.25 ± .014 1 PLACE ± 0.35 ± --- ANGULAR ± 1/2°	DIMENSION STYLE MM/IN DRAWN BY: MANLAPAZ CHECKED BY: BANDURA APPROVED BY: F SMITH DATE: 1997/12/04 DATE: 1997/12/06 DATE: 2012/02/02	SCALE: 1:1 DESIGN UNITS: METRIC THIRD ANGLE PROJECTION	TITLE: MINI-FIT JR BMI SMC VERTICAL HEADER ASM VARIOUS BOARD THICKNESS MOLEX INCORPORATED	MATERIAL NO. SEE CHART DOCUMENT NO. SD-44068-031	SHEET NO. 2 OF 2			
								DRAFT WHERE APPLICABLE MUST REMAIN WITHIN DIMENSIONS		
								THIS DRAWING CONTAINS INFORMATION THAT IS PROPRIETARY TO MOLEX INCORPORATED AND SHOULD NOT BE USED WITHOUT WRITTEN PERMISSION		
								SIZE C		