

## Excellent Integrated System Limited

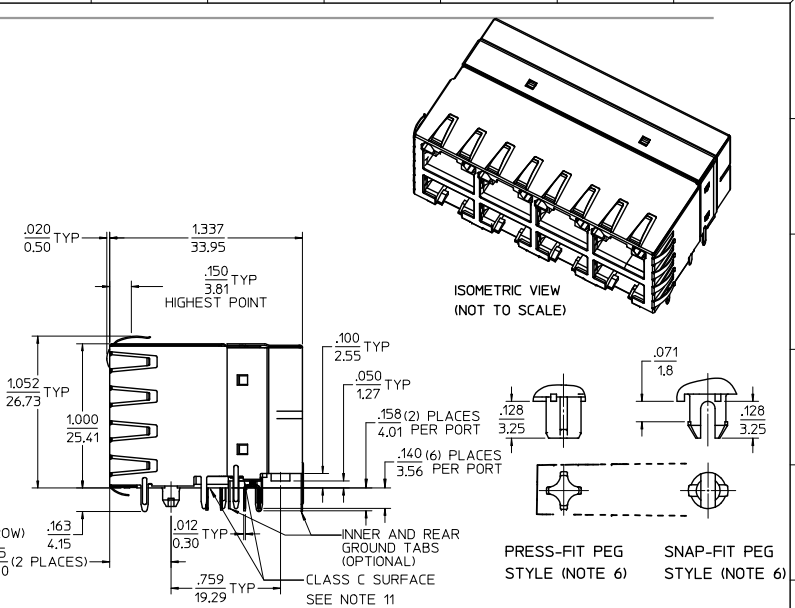
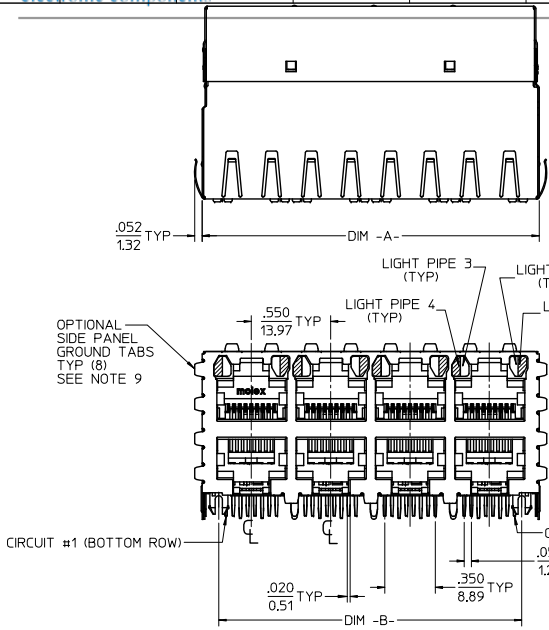
Stocking Distributor

Click to view price, real time Inventory, Delivery & Lifecycle Information:

[Molex Connector Corporation](#)  
[0441703004](#)

For any questions, you can email us directly:

[sales@integrated-circuit.com](mailto:sales@integrated-circuit.com)



- NOTES:
- MATERIAL: HOUSING: POLYESTER(PBT), GLASS FILLED, UL94V-0, COLOR: BLACK  
LIGHT PIPES: POLYCARBONATE, UL-94HB, COLOR: CLEAR  
TERMINALS: PHOSPHOR BRONZE  
SHIELD: BRASS
  - FINISH: TERMINALS: SELECT GOLD IN CONTACT AREA: 50 MICRONS / 1.27 MICROMETERS MIN., SELECT TIN IN FC TAIL AREA: 100 MICRONS / 2.54 MICROMETERS MIN., WITH OVERALL NICKEL UNDERPLATE: 50 MICRONS / 1.27 MICROMETERS MIN. SHIELD: 100 MICRONS / 2.54 MICROMETERS NICKEL OVER 50 MICRONS / 1.27 MICROMETERS COPPER UNDERPLATE PCB GROUND TABS DIPPED IN TIN
  - PRODUCT SPECIFICATION: PS-44050-003
  - PACKAGING SPECIFICATION: CONNECTOR PACKAGED IN THERMOFORMED TRAYS PER PK-44170-003.
  - APPLICATION SPECIFICATION: AS-43860-001
  - CONNECTORS AVAILABLE WITH EITHER SNAP-FIT OR PRESS-FIT PEGS.
  - CONFORMS TO FCC REGULATION PART 68.5 FOR MODULAR JACKS.
  - PCB LAYOUT AND PANEL CUT-OUT SHOWN ON SHEET (2) OF (2).
  - AVAILABLE WITH THE (8) PANEL GROUND TABS REMOVED ON EACH SIDE FOR SIDE TO SIDE STACKABILITY.
  - TERMINAL LENGTHS MAY BE DIFFERENT FROM TERMINAL TO TERMINAL.
  - THIS PART CONFORMS TO CLASS B REQUIREMENTS OF COSMETIC SPECIFICATION PS-45499-002 WITH THE EXCEPTION OF THE SURFACE INDICATED WHICH IS A CLASS C SURFACE.

ASSEMBLY MATERIAL NUMBER	NUMBER OF PORTS	PEG STYLE	DIM -A-	DIM -B-	SIDE PANEL GROUND TABS	INNER/REAR GROUND TABS
44170-0001	8 (2 X 4)	SNAP-FIT	2,330/59.18	2,100/53.34	YES	YES
44170-2001	8 (2 X 4)	SNAP-FIT	2,330/59.18	2,100/53.34	NO	YES
44170-3001	8 (2 X 4)	SNAP-FIT	2,330/59.18	2,100/53.34	YES	NO
44170-4001	8 (2 X 4)	SNAP-FIT	2,330/59.18	2,100/53.34	NO	NO
44170-0004	8 (2 X 4)	PRESS-FIT	2,330/59.18	2,100/53.34	YES	YES
44170-2004	8 (2 X 4)	PRESS-FIT	2,330/59.18	2,100/53.34	NO	YES
44170-3004	8 (2 X 4)	PRESS-FIT	2,330/59.18	2,100/53.34	YES	NO
44170-4004	8 (2 X 4)	PRESS-FIT	2,330/59.18	2,100/53.34	NO	NO
44170-0002	12 (2 X 6)	SNAP-FIT	3,430/87.12	3,200/81.28	YES	YES
44170-2002	12 (2 X 6)	SNAP-FIT	3,430/87.12	3,200/81.28	NO	YES
44170-3002	12 (2 X 6)	SNAP-FIT	3,430/87.12	3,200/81.28	YES	NO
44170-4002	12 (2 X 6)	SNAP-FIT	3,430/87.12	3,200/81.28	NO	NO
44170-0005	12 (2 X 6)	PRESS-FIT	3,430/87.12	3,200/81.28	YES	YES
44170-2005	12 (2 X 6)	PRESS-FIT	3,430/87.12	3,200/81.28	NO	YES
44170-3005	12 (2 X 6)	PRESS-FIT	3,430/87.12	3,200/81.28	YES	NO
44170-4005	12 (2 X 6)	PRESS-FIT	3,430/87.12	3,200/81.28	NO	NO

<b>OBsolete 16 PORT</b> EC NO: UCP2014-5426 DRAWING/REV: 2014/06/27 CHKD/JBEL: 2014/06/27 APPR/SMT: 2014/07/17 F1	QUALITY SYMBOLS ∇=0 ∇=0 ∇=0	GENERAL TOLERANCES (UNLESS SPECIFIED)		DIMENSION STYLE		SCALE	DESIGN UNITS	THIRD ANGLE PROJECTION	
				IN/MM		2:1	INCH		
		4 PLACES ±	mm	INCH	DRAWN BY	DATE	STACKED MODULAR JACK WITH LIGHT PIPES CAT 5 SD-44170-001 SHEET NO. 1 OF 2		
		3 PLACES ±	±.010		CHECKED BY	DATE			
2 PLACES ±	±0.25	±.010	ROBERTS	98/11/16					
1 PLACE ±	±	±	APPROVED BY	DATE					
0 PLACE ±	±	±	ROBERTS	98/11/16	MATERIAL NO.		DOCUMENT NO.		
DRAFT WHERE APPLICABLE MUST REMAIN WITHIN DIMENSIONS				SEE CHART		THIS DRAWING CONTAINS INFORMATION THAT IS PROPRIETARY TO MOLEX INCORPORATED AND SHOULD NOT BE USED WITHOUT WRITTEN PERMISSION			

