

## Excellent Integrated System Limited

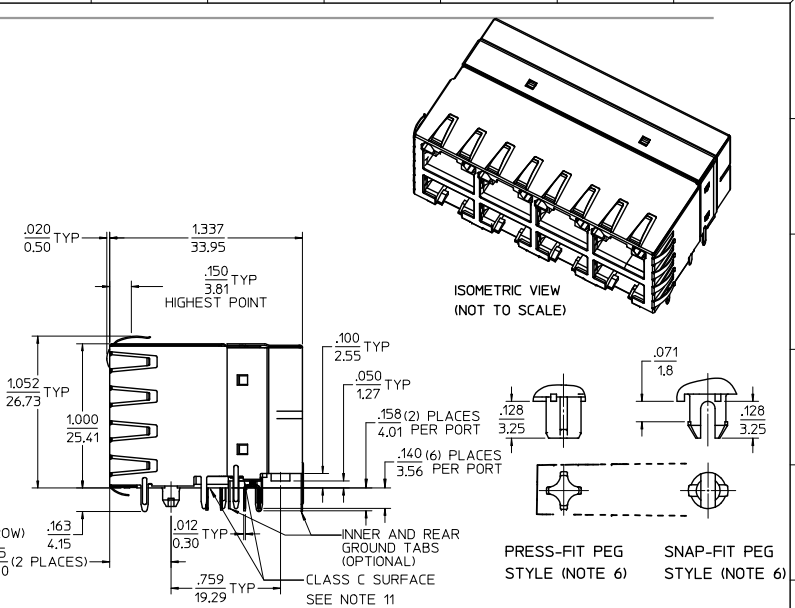
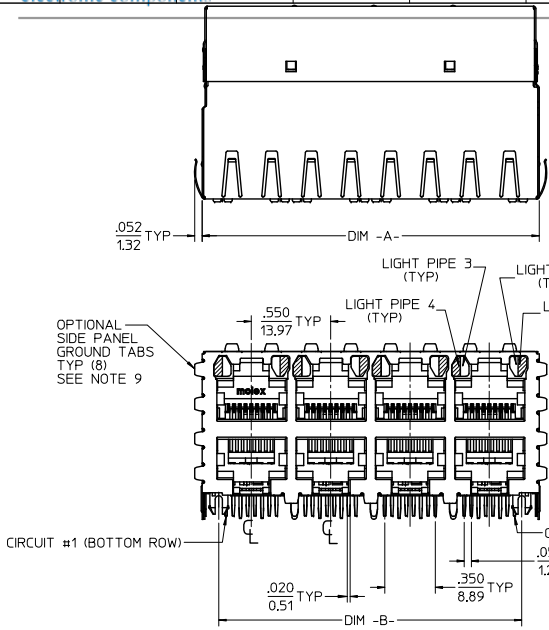
Stocking Distributor

Click to view price, real time Inventory, Delivery & Lifecycle Information:

[Molex Connector Corporation](#)  
[0441703005](#)

For any questions, you can email us directly:

[sales@integrated-circuit.com](mailto:sales@integrated-circuit.com)



- NOTES:
- MATERIAL: HOUSING: POLYESTER(PBT), GLASS FILLED, UL94V-0, COLOR: BLACK; LIGHT PIPES: POLYCARBONATE, UL-94HB, COLOR: CLEAR; TERMINALS: PHOSPHOR BRONZE; SHIELD: BRASS
  - FINISH: TERMINALS: SELECT GOLD IN CONTACT AREA: 50 MICRONCHES / 1.27 MICROMETERS MIN., SELECT TIN IN FC TAIL AREA: 100 MICRONCHES / 2.54 MICROMETERS MIN., WITH OVERALL NICKEL UNDERPLATE: 50 MICRONCHES / 1.27 MICROMETERS MIN. SHIELD: 100 MICRONCHES / 2.54 MICROMETERS NICKEL OVER 50 MICRONCHES / 1.27 MICROMETERS COPPER UNDERPLATE PCB GROUND TABS DIPPED IN TIN
  - PRODUCT SPECIFICATION: PS-44050-003
  - PACKAGING SPECIFICATION: CONNECTOR PACKAGED IN THERMOFORMED TRAYS PER PK-44170-003
  - APPLICATION SPECIFICATION: AS-43860-001
  - CONNECTORS AVAILABLE WITH EITHER SNAP-FIT OR PRESS-FIT PEGS.
  - CONFORMS TO FCC REGULATION PART 68.5 FOR MODULAR JACKS.
  - PCB LAYOUT AND PANEL CUT-OUT SHOWN ON SHEET (2) OF (2).
  - AVAILABLE WITH THE (8) PANEL GROUND TABS REMOVED ON EACH SIDE FOR SIDE TO SIDE STACKABILITY.
  - TERMINAL LENGTHS MAY BE DIFFERENT FROM TERMINAL TO TERMINAL.
  - THIS PART CONFORMS TO CLASS B REQUIREMENTS OF COSMETIC SPECIFICATION PS-45499-002 WITH THE EXCEPTION OF THE SURFACE INDICATED WHICH IS A CLASS C SURFACE.

ASSEMBLY MATERIAL NUMBER	NUMBER OF PORTS	PEG STYLE	DIM -A-	DIM -B-	SIDE PANEL GROUND TABS	INNER/REAR GROUND TABS
44170-0001	8 (2 X 4)	SNAP-FIT	2,330/59.18	2,100/53.34	YES	YES
44170-2001	8 (2 X 4)	SNAP-FIT	2,330/59.18	2,100/53.34	NO	YES
44170-3001	8 (2 X 4)	SNAP-FIT	2,330/59.18	2,100/53.34	YES	NO
44170-4001	8 (2 X 4)	SNAP-FIT	2,330/59.18	2,100/53.34	NO	NO
44170-0004	8 (2 X 4)	PRESS-FIT	2,330/59.18	2,100/53.34	YES	YES
44170-2004	8 (2 X 4)	PRESS-FIT	2,330/59.18	2,100/53.34	NO	YES
44170-3004	8 (2 X 4)	PRESS-FIT	2,330/59.18	2,100/53.34	YES	NO
44170-4004	8 (2 X 4)	PRESS-FIT	2,330/59.18	2,100/53.34	NO	NO
44170-0002	12 (2 X 6)	SNAP-FIT	3,430/87.12	3,200/81.28	YES	YES
44170-2002	12 (2 X 6)	SNAP-FIT	3,430/87.12	3,200/81.28	NO	YES
44170-3002	12 (2 X 6)	SNAP-FIT	3,430/87.12	3,200/81.28	YES	NO
44170-4002	12 (2 X 6)	SNAP-FIT	3,430/87.12	3,200/81.28	NO	NO
44170-0005	12 (2 X 6)	PRESS-FIT	3,430/87.12	3,200/81.28	YES	YES
44170-2005	12 (2 X 6)	PRESS-FIT	3,430/87.12	3,200/81.28	NO	YES
44170-3005	12 (2 X 6)	PRESS-FIT	3,430/87.12	3,200/81.28	YES	NO
44170-4005	12 (2 X 6)	PRESS-FIT	3,430/87.12	3,200/81.28	NO	NO

**OBsolete 16 PORT**  
 EC NO: UCP2014-5426  
 DRAWING/REV: 2014/06/27  
 CHKD/BELL: 2014/06/27  
 APPR/SMITH: 2014/07/17

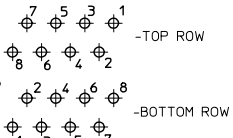
QUALITY SYMBOLS	GENERAL TOLERANCES (UNLESS SPECIFIED)		DIMENSION STYLE		SCALE	DESIGN UNITS	THIRD ANGLE PROJECTION
	mm	INCH	IN/MM	INCH			
▽=0	4 PLACES ±	±	MARGULIS	DATE	2:1	INCH	STACKED MODULAR JACK WITH LIGHT PIPES CAT 5
▽=0.10	3 PLACES ±	±	ROBERTS	DATE			
▽=0.25	2 PLACES ±	±	ROBERTS	DATE			molex
▽=0.50	1 PLACE ±	±	ROBERTS	DATE			
▽=0.75	0 PLACE ±	±	ROBERTS	DATE			SD-44170-001
▽=1.00	ANGULAR ±1/2°		MATERIAL NO.	DOCUMENT NO.			

DRAFT WHERE APPLICABLE MUST REMAIN WITHIN DIMENSIONS

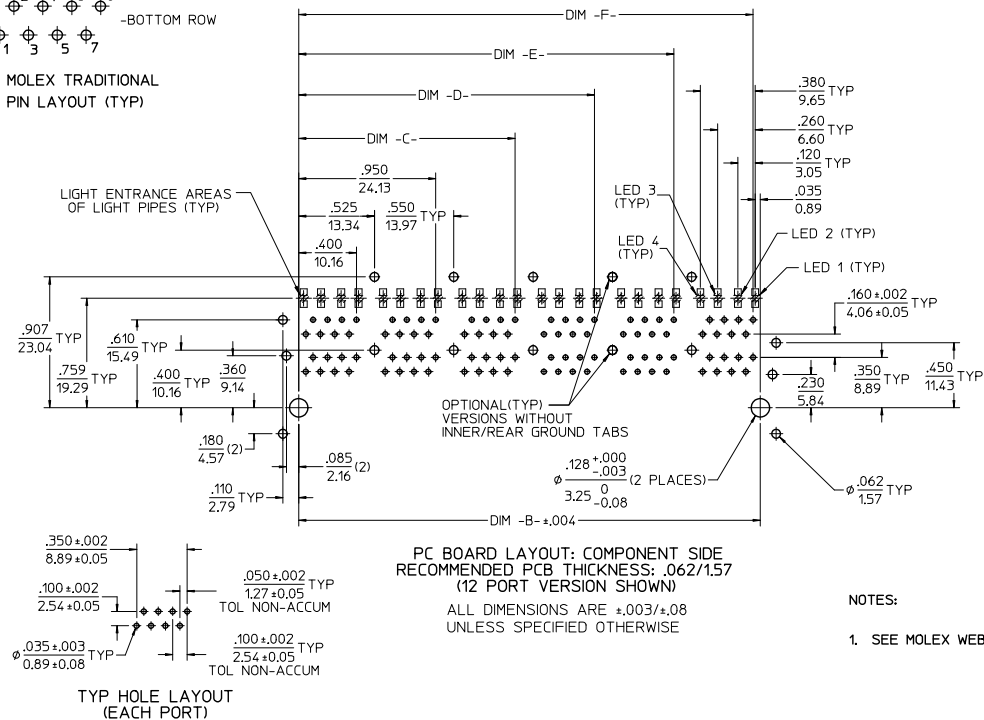
SEE CHART

THIS DRAWING CONTAINS INFORMATION THAT IS PROPRIETARY TO MOLEX INCORPORATED AND SHOULD NOT BE USED WITHOUT WRITTEN PERMISSION

SHEET NO. 1 OF 2



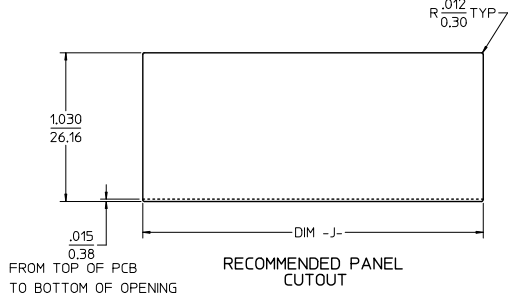
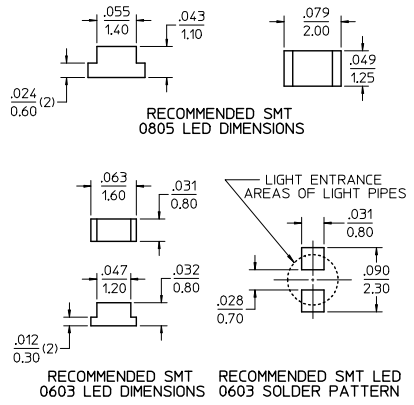
MOLEX TRADITIONAL PIN LAYOUT (TYP)



PC BOARD LAYOUT: COMPONENT SIDE  
RECOMMENDED PCB THICKNESS: .062/1.57  
(12 PORT VERSION SHOWN)  
ALL DIMENSIONS ARE ±.003/±.08  
UNLESS SPECIFIED OTHERWISE

NOTES:

- 1. SEE MOLEX WEB SITE FOR CROSS REFERENCE OF RECOMMENDED LED'S.



NUMBER OF PORTS	DIM -B-	DIM -C-	DIM -D-	DIM -E-	DIM -F-	DIM -J-
8 (2 X 4)	2,100/53.34	1,500/38.10	2,050/52.07			2,360/59.94
12 (2 X 6)	3,200/81.28	1,500/38.10	2,050/52.07	2,600/66.04	3,150/80.01	3,460/87.88

GENERAL TOLERANCES (UNLESS SPECIFIED)	DIMENSION STYLE	SCALE	DESIGN UNITS	THIRD ANGLE PROJECTION
4 PLACES ± .010	IN/MM	2:1	INCH	THIRD ANGLE PROJECTION
3 PLACES ± .025				
2 PLACES ± 0.25				
1 PLACE ± .010				
0 PLACE ± .010				

QUALITY SYMBOLS	DESCRIPTION	DATE	TITLE
▽=0	APPROVED BY	98/11/16	STACKED MODULAR JACK WITH LIGHT PIPES CAT 5
▽=0	CHECKED BY	98/11/16	
▽=0	APPROVED BY	98/11/16	molex
▽=0	CHECKED BY	98/11/16	

ANGULAR	MATERIAL NO.	DOCUMENT NO.	SHEET NO.
± 1/2°		SD-44170-001	2 OF 2

SEE SHEET 1  
EC NO: UCP2014-5436  
DRAWN BY: 2014/06/27  
CHKD: BELL 2014/06/27  
APPR: SMTH 2014/07/17

THIS DRAWING CONTAINS INFORMATION THAT IS PROPRIETARY TO MOLEX INCORPORATED AND SHOULD NOT BE USED WITHOUT WRITTEN PERMISSION