

Excellent Integrated System Limited

Stocking Distributor

Click to view price, real time Inventory, Delivery & Lifecycle Information:

[Molex Connector Corporation](#)
[0442810002](#)

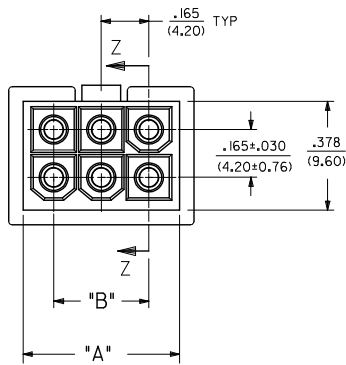
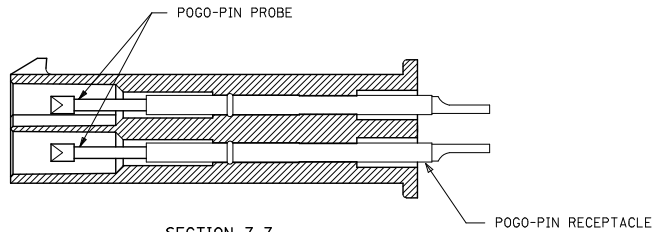
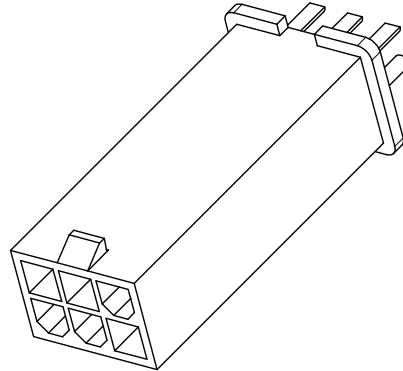
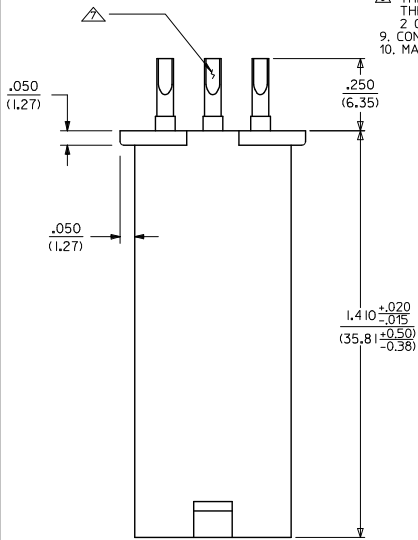
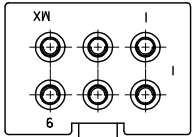
For any questions, you can email us directly:

sales@integrated-circuit.com

NOTES:

1. MATERIAL:
HOUSING: LCP 30% GLASS FILLED, COLOR BLOCK
POGO-PIN PROBE: HEAT TREATED BERYLLIUM COPPER
POGO-PIN RECEPTACLE: WORK-HARDENED NICKEL SILVER
2. FINISH:
POGO-PIN PROBE: GOLD PLATED OVER HARD NICKEL
POGO-PIN RECEPTACLE: GOLD PLATED OVER HARD NICKEL
3. PRODUCT SPECIFICATION: PS-44281-001
4. PACKAGING INFORMATION: PK-44281-001
5. THIS PART MATES WITH RECEPTACLE 5557, 42474, 44516, AND BMI HEADER, 42385.
6. PRODUCT IS INTENDED FOR LOW LEVEL CONTINUITY TESTING, 2.5 AMPS MAX.
7. SOLDER CUP WILL ACCEPT 22-26 GAUGE WIRE.
8. THE 10 CIRCUIT TEST PLUG CAN BE USED FOR TESTING A 5 CIRCUIT SINGLE ROW CONNECTOR.
THE 4 CIRCUIT TEST PLUG CAN BE USED FOR TESTING A 2 CIRCUIT DUAL ROW CONNECTOR AND 2 CIRCUIT SINGLE ROW CONNECTOR.
9. CONNECTORS ARE NOT TO BE MATED AND UNMATED WHILE CIRCUITS ARE LIVE.
10. MAXIMUM MATING CYCLES OF TEST PLUG IS 10,000 CYCLES.

MATERIAL NUMBER	CIRCUIT NUMBER	DIM. 'A'	DIM. 'B'
44281-0001	4	.378/(9.60)	.165/(4.20)
44281-0002	6	.543/(13.80)	.331/(8.40)
44281-0003	8	.709/(18.00)	.496/(12.60)
44281-0004	10	.874/(22.20)	.661/(16.80)
44281-0005	12	1.039/(26.40)	.827/(21.00)
44281-0006	14	1.205/(30.60)	.992/(25.20)
44281-0007	16	1.370/(34.80)	1.157/(29.40)
44281-0008	18	1.535/(39.00)	1.323/(33.60)
44281-0009	20	1.701/(43.20)	1.488/(37.80)



CORRECT NOTE 1 & 2 REPLACE PARTS EC NO. UF-2016-1587 DRAWN BY: 2015/10/13 CHKD: BELL 2015/10/14 APPROVED BY: 2015/10/27	QUALITY SYMBOLS ▽=0 ▽=0 ▽=0	GENERAL TOLERANCES (UNLESS SPECIFIED)	DIMENSION STYLE	SCALE	DESIGN UNITS	THIRD ANGLE PROJECTION
		mm INCH	IN/MM	4:1	METRIC	
REV	DESCRIPTION	4 PLACES ± .10	DRAWN BY: A. GUZIK	DATE: 98/11/02	MINI-FIT 4-20 CIRCUIT TEST PLUG ASSEMBLY molex	
		3 PLACES ± .10	CHECKED BY: EDGLEY	DATE: 98/11/03		
		2 PLACES ± 0.25	APPROVED BY: F. SMITH	DATE: 2015/10/27	DOCUMENT NO. SD-44281-001	
		1 PLACE ± 0.35	MATERIAL NO. SEE CHART		SHEET NO. 1 OF 1	
		0 PLACE ± .10	ANGULAR ± 1/2°		THIS DRAWING CONTAINS INFORMATION THAT IS PROPRIETARY TO MOLEX INCORPORATED AND SHOULD NOT BE USED WITHOUT WRITTEN PERMISSION	
			DRAFT WHERE APPLICABLE MUST REMAIN WITHIN DIMENSIONS			