

## Excellent Integrated System Limited

Stocking Distributor

Click to view price, real time Inventory, Delivery & Lifecycle Information:

[Molex Connector Corporation](#)  
[0442810004](#)

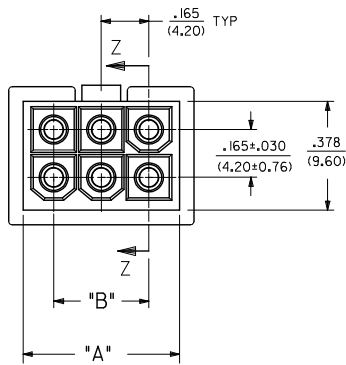
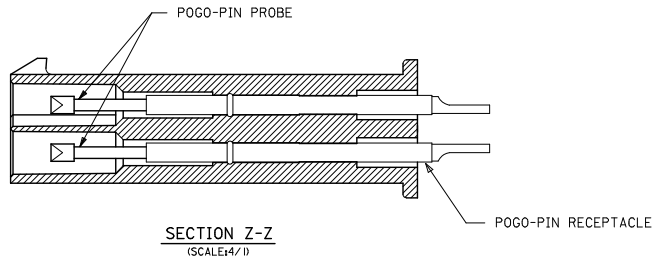
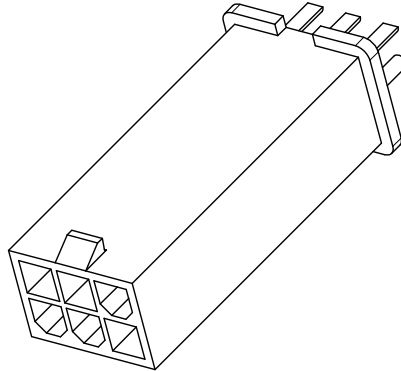
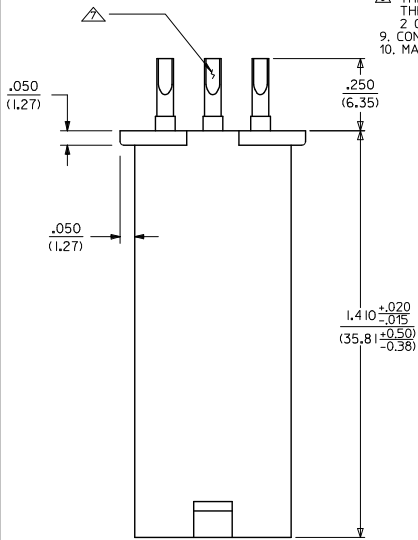
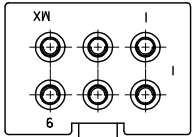
For any questions, you can email us directly:

[sales@integrated-circuit.com](mailto:sales@integrated-circuit.com)

NOTES:

1. MATERIAL:  
HOUSING LCP 30% GLASS FILLED, COLOR BLOCK  
POGO-PIN PROBE: HEAT TREATED BERYLLIUM COPPER,  
POGO-PIN RECEPTACLE: WORK-HARDENED NICKEL SILVER.
2. FINISH:  
POGO-PIN PROBE: GOLD PLATED OVER HARD NICKEL,  
POGO-PIN RECEPTACLE: GOLD PLATED OVER HARD NICKEL.
3. PRODUCT SPECIFICATION: PS-44281-001.
4. PACKAGING INFORMATION: PK-44281-001.
5. THIS PART MATES WITH RECEPTACLE 5557, 42474, 44516, AND BMI HEADER, 42385.
6. PRODUCT IS INTENDED FOR LOW LEVEL CONTINUITY TESTING, 2.5 AMPS MAX.
7. SOLDER CUP WILL ACCEPT 22-26 GAUGE WIRE.
8. THE 10 CIRCUIT TEST PLUG CAN BE USED FOR TESTING A 5 CIRCUIT SINGLE ROW CONNECTOR,  
THE 4 CIRCUIT TEST PLUG CAN BE USED FOR TESTING A 2 CIRCUIT DUAL ROW CONNECTOR AND  
2 CIRCUIT SINGLE ROW CONNECTOR.
9. CONNECTORS ARE NOT TO BE MATED AND UNMATED WHILE CIRCUITS ARE LIVE.
10. MAXIMUM MATING CYCLES OF TEST PLUG IS 10,000 CYCLES.

MATERIAL NUMBER	CIRCUIT NUMBER	DIM. 'A'	DIM. 'B'
44281-0001	4	.378/(9.60)	.165/(4.20)
44281-0002	6	.543/(13.80)	.331/(8.40)
44281-0003	8	.709/(18.00)	.496/(12.60)
44281-0004	10	.874/(22.20)	.661/(16.80)
44281-0005	12	1.039/(26.40)	.827/(21.00)
44281-0006	14	1.205/(30.60)	.992/(25.20)
44281-0007	16	1.370/(34.80)	1.157/(29.40)
44281-0008	18	1.535/(39.00)	1.323/(33.60)
44281-0009	20	1.701/(43.20)	1.488/(37.80)



CORRECT NOTE 1 & 2 OBSOLETE PARTS DEC NO. OF 2016-1587 DRAWINGS 2015/10/13 CHKD: BELL 2015/10/14 APPROVED: 2015/10/27 B3 REV	QUALITY SYMBOLS ∇=0 ∇=0 ∇=0	GENERAL TOLERANCES (UNLESS SPECIFIED)		DIMENSION STYLE		SCALE	DESIGN UNITS	THIRD ANGLE PROJECTION	
				IN/MM		4:1	METRIC		
				mm	INCH	DRAWN BY	DATE	TITLE	
				4 PLACES ± ---	± ---	A. GUZIK	98/11/02	MINI-FIT 4-20 CIRCUIT TEST PLUG ASSEMBLY	
		3 PLACES ± ---	± 0.10	CHECKED BY	DATE	molex			
		2 PLACES ± 0.25	± 0.14	APPROVED BY	DATE	SD-44281-001			
		1 PLACE ± 0.35	± ---	F. SMITH	2015/10/27	SHEET NO. 1 OF 1			
		0 PLACE ± ---	± ---	MATERIAL NO.		DOCUMENT NO.			
		ANGULAR ±1/2°		SEE CHART					
		DRAFT WHERE APPLICABLE MUST REMAIN WITHIN DIMENSIONS		THIS DRAWING CONTAINS INFORMATION THAT IS PROPRIETARY TO MOLEX INCORPORATED AND SHOULD NOT BE USED WITHOUT WRITTEN PERMISSION					